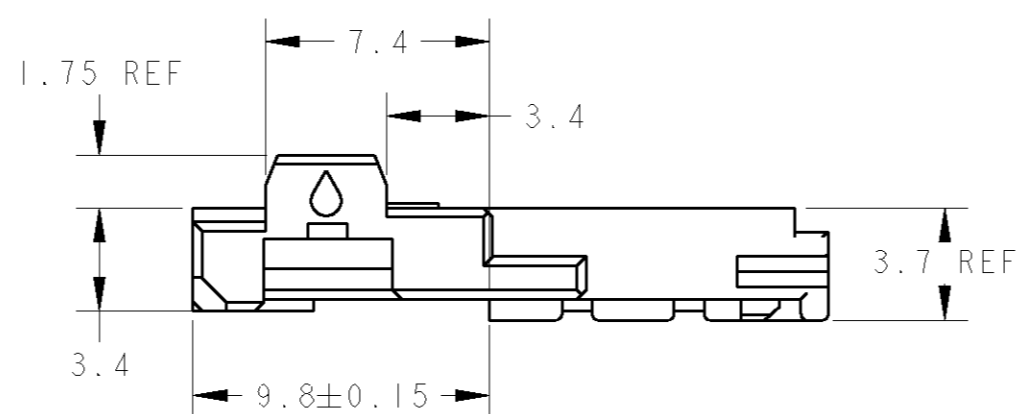
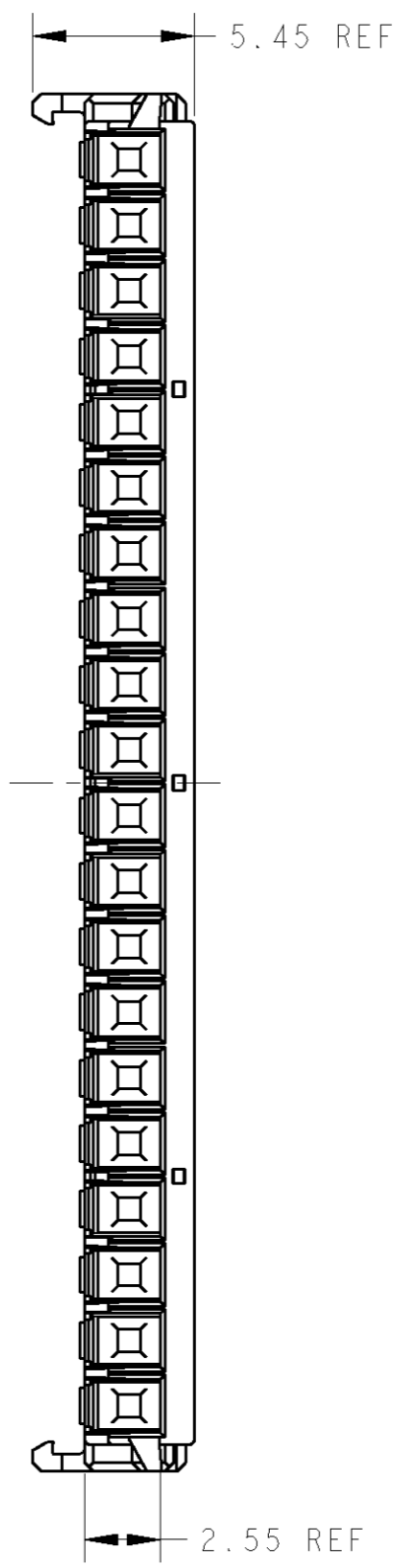
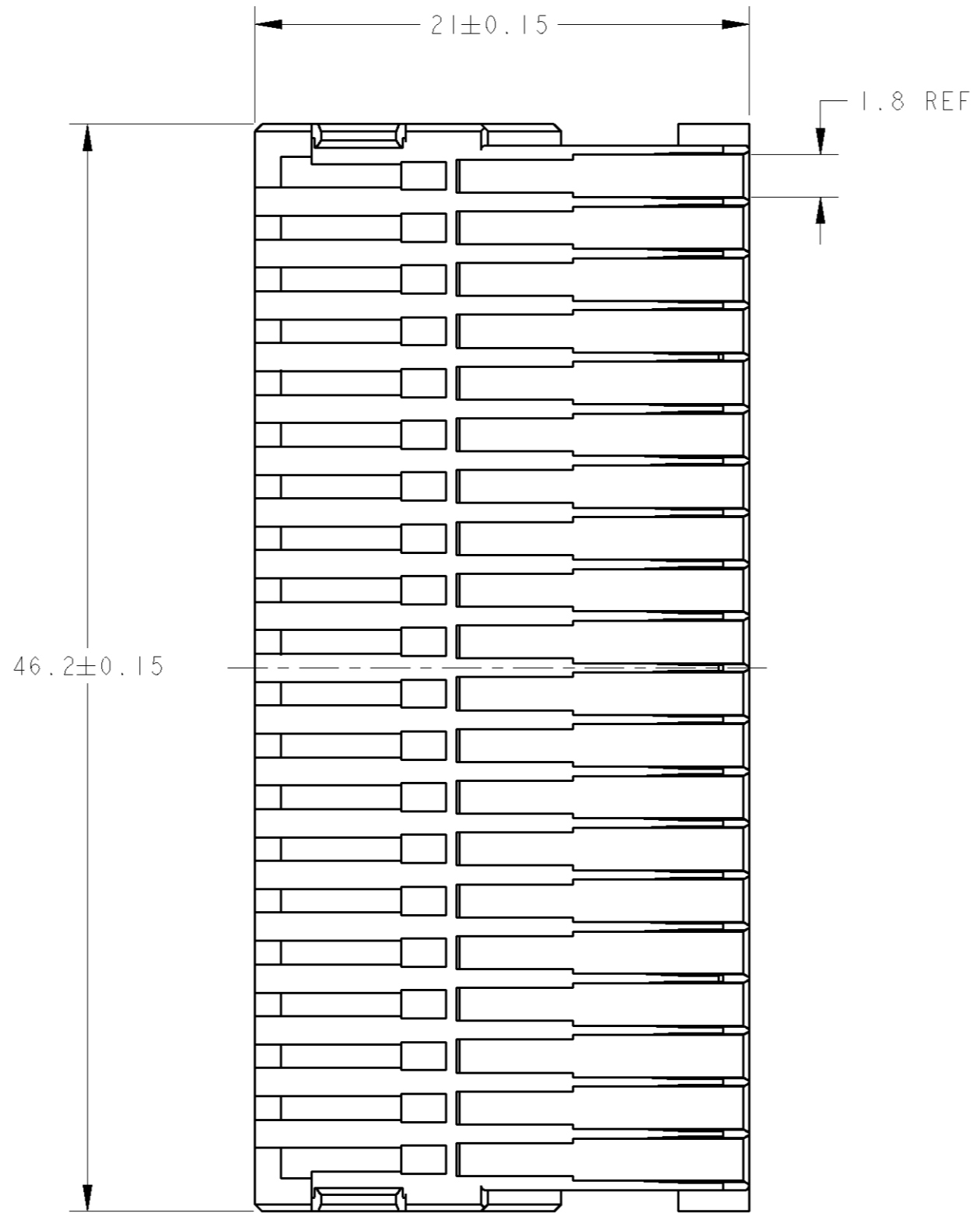
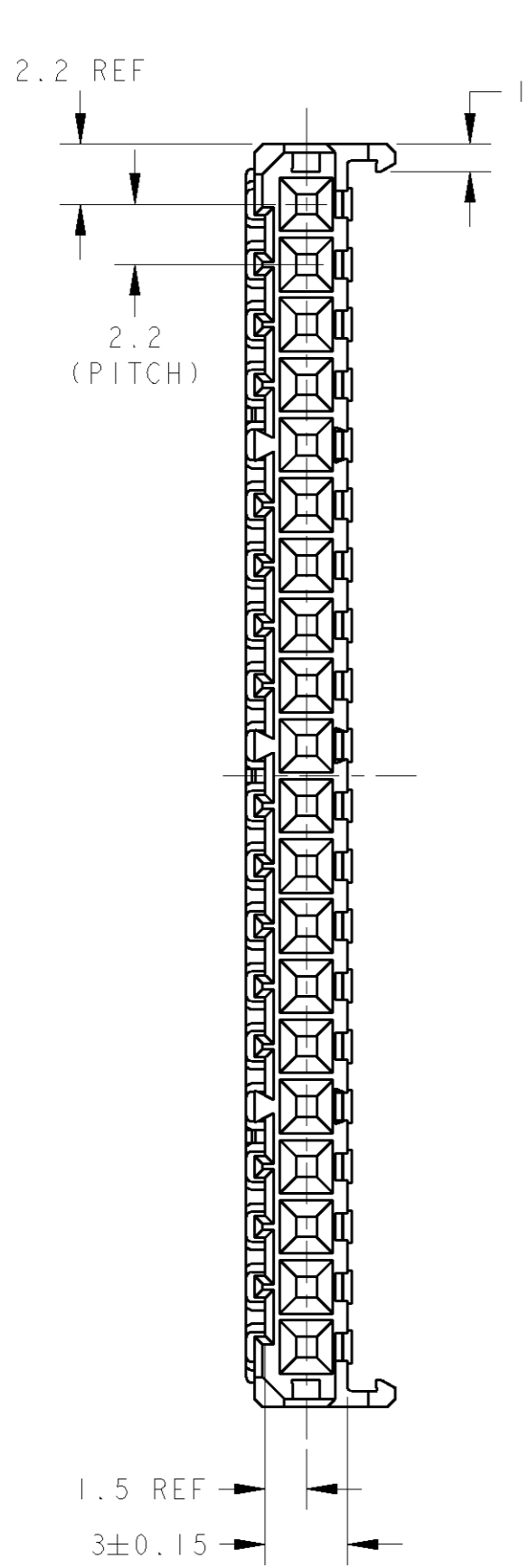


THIS DRAWING IS UNPUBLISHED. RELEASED FOR PUBLICATION 20
 © COPYRIGHT 20 BY TYCO ELECTRONICS CORPORATION. ALL RIGHTS RESERVED.

LOC		DIST		REVISIONS				
P	LTR	DESCRIPTION	ECN	DATE	DWN	APVD		
	0	RELEASED	FJ00-1438-02	11JUN02	TS	KB		
	01	REVISED	FJ00-1467-02	16JUL02	TS	KB		



- 1. 適用ターミナル品番: 1318688
- 2. 本品はロックハウジング型番 1318695を装着して使用する。
- 3. 取扱説明書: 411-5912

- 1. APPLICABLE TERMINAL PART No.: 1318688
- 2. PLUG HOUSING MUST BE USED WITH LOCK HOUSING PN: 1318694
- 3. INSTRUCTION SHEET No.: 411-5912

NATURAL	1318693-2
HOUSING COLOR	PART NUMBER

THIS DRAWING IS A CONTROLLED DOCUMENT FOR TYCO ELECTRONICS CORPORATION IT IS SUBJECT TO CHANGE AND THE CONTROLLING ENGINEERING ORGANIZATION SHOULD BE CONTACTED FOR THE LATEST REVISION.		DWN T. SHINOHARA 11JUN02	Tyco Electronics AMP K.K. Kawasaki, Japan	
DIMENSIONS: 単位: 純 mm		CHK K. BETSU 11JUN02	NAME 20POSITION PLUG HOUSING 025 IDC CONNECTOR	
TOLERANCES UNLESS OTHERWISE SPECIFIED: 一般公差: ±0.3		APVD K. BETSU 11JUN02	PRODUCT SPEC 108-5660	
0-PLC ± 1-PLC ±0.1 2-PLC ±0.01 3-PLC ±0.001 4-PLC ±0.0001 ANGLES ±3°00' FINISH 仕上		APPLICATION SPEC 取付適用規格 114-5276	RESTRICTED TO -	
MATERIAL 材料	PBT	WEIGHT 1.9g	SIZE A2	CAGE CODE 00779
SEE TABLE		DRAWING NO. 1318693	SCALE 4:1	
CUSTOMER DRAWING		SHEET 1 OF 1 REV 01		