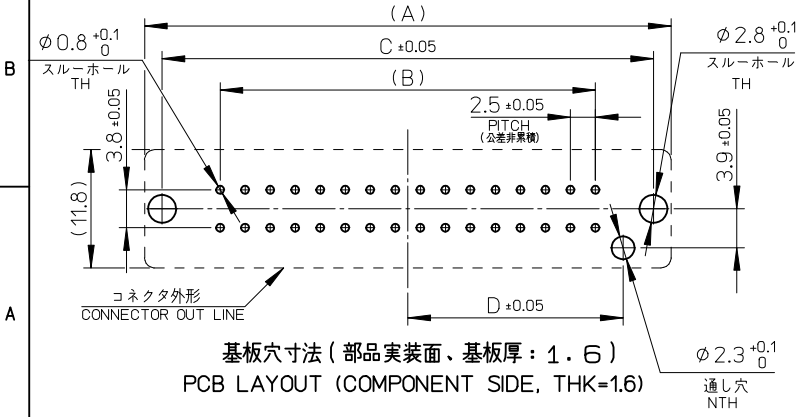


注記:  
NOTES

1. 材質 MATERIAL  
ハウジング: ポリブチレンテレフタレート (PBT)、ガラス充填、UL94V-0、黒色  
HOUSING: POLYBUTYLENE TEREPHTHALATE (PBT), GLASS FILLED, UL94V-0, BLACK  
ターミナル: 銅合金 (t=0.5)  
TERMINAL: COPPER ALLOY (t=0.5)  
金具: りん青銅 (t=0.48)  
METAL PEG: PHOSPHOR BRONZE (t=0.48)
2. メッキ仕様 FINISHES  
ターミナル TERMINAL  
接点部: ニッケル下地金メッキ  
CONTACT AREA: GOLD OVER NICKEL PLATING.  
金メッキ 0.1マイクロメートル以上  
GOLD 0.1 MICROMETERS MINIMUM  
ニッケル下地メッキ 1.0マイクロメートル以上  
NICKEL 1.0 MICROMETERS MINIMUM  
半田付け部: ニッケル下地錫メッキ  
SOLDER TAIL: TIN OVER NICKEL PLATING  
錫メッキ 1.0マイクロメートル以上  
TIN 1.0 MICROMETERS MINIMUM  
ニッケル下地メッキ 1.0マイクロメートル以上  
NICKEL 1.0 MICROMETERS MINIMUM  
金具: ニッケル下地錫メッキ  
METAL PEG: TIN OVER NICKEL PLATING  
錫メッキ 1.0マイクロメートル以上  
TIN 1.0 MICROMETERS MINIMUM  
ニッケル下地メッキ 1.0マイクロメートル以上  
NICKEL 1.0 MICROMETERS MINIMUM
3. 嵌合相手: 503369-\*\*00  
MATING CONNECTOR: 503369-\*\*00
4. 回路番号 1, 2: (N-1), N極目に適用 (N: 極数).  
APPLICABLE TO CIRCUITS NO. 1, 2, N-1 AND N (N: CIRCUITS SIZE).
5. 回路番号 3~(N-2) 極目に適用 (N: 極数).  
APPLICABLE TO CIRCUITS NO. 3-N-2 (N: CIRCUITS SIZE).
6. 製品仕様及び取り扱いについては、製品仕様書 PS-503367-001 及び、コネクタ取扱説明書 AS-503367-001 を参照願います。  
PLEASE REFER TO PRODUCTS SPECIFICATION PS-503367-001 AND USER'S MANUAL AS-503367-001.
7. ELV及びRoHS適合品。  
ELV AND RoHS COMPLIANT.



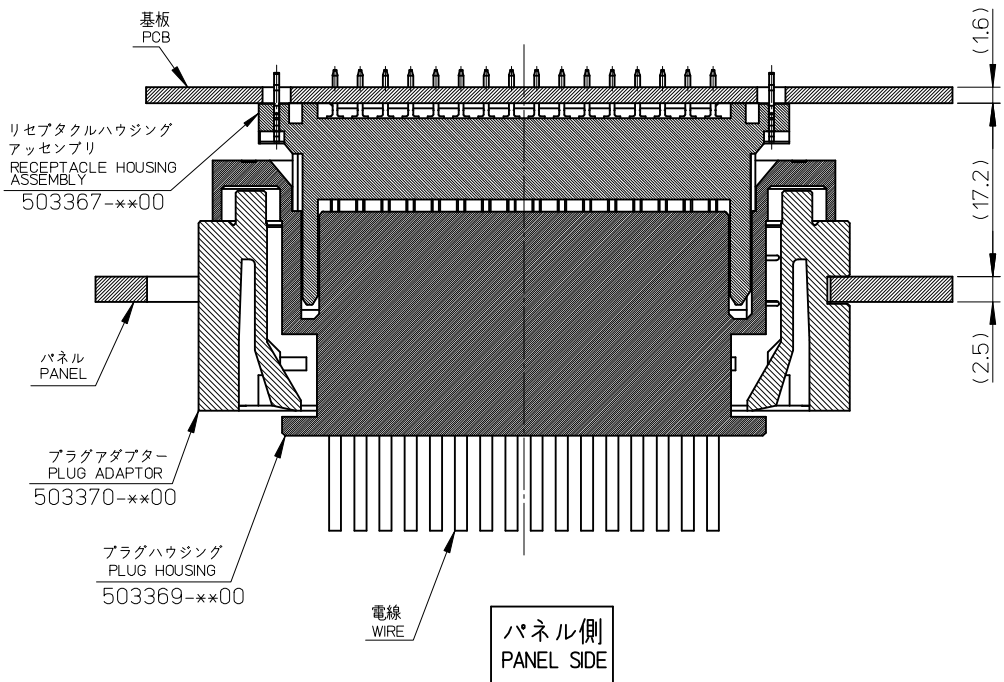
基板穴寸法 (部品実装面、基板厚: 1.6)  
PCB LAYOUT (COMPONENT SIDE, THK=1.6)

21.5	49.1	37.5	52.6	503367-3200	503367-**00	32
14	34.1	22.5	37.6	503367-2000		20
D	C	B	A	TRAY PACKAGE	MODEL NO.	極数 CIRCUITS
				オーダー番号 ORDER No.		

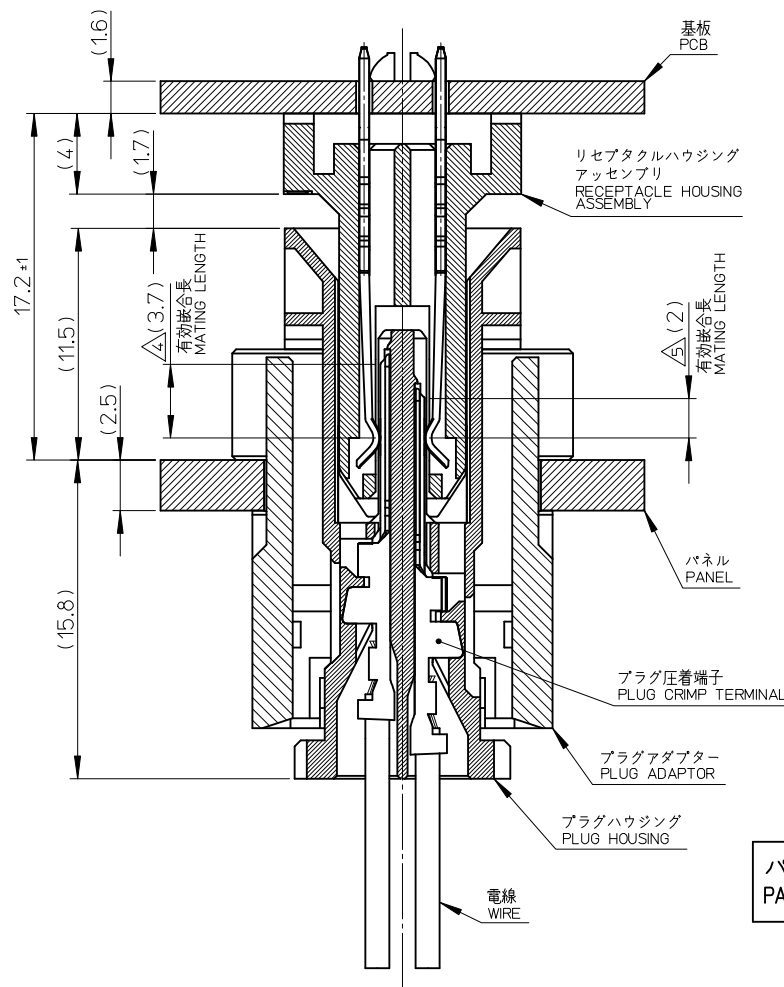
RELEASED EC NO: J2009-2286 DRAWN: KWASHIO 2009/04/15 CHKD: SSA003 2009/04/15 APPR: SICHIKAWA 2009/04/15	GENERAL TOLERANCES (UNLESS SPECIFIED)		DIMENSION STYLE	SCALE	DESIGN UNITS	THIRD ANGLE PROJECTION
			MM ONLY	2:1	METRIC	
	10 UNDER	±0.2	DRAWN BY	DATE	TITLE	
	10 OVER 30 UNDER	±0.25	KKOBAYASHI	09/04/15	2.5 FLOATING CONN. REC. HS'G ASS'Y	
	30 OVER	±0.3	CHECKED BY	DATE		
ANGULAR	±3°	SSAT003	09/04/15			
DRAFT WHERE APPLICABLE MUST REMAIN WITHIN DIMENSIONS		APPROVED BY	DATE	MOLEX INCORPORATED		
		SICHIKAWA	09/04/15	MOLEX INCORPORATED		
		MATERIAL NO.	DOCUMENT NO.	SD-503367-001		SHEET NO. 1 OF 2
		SIZE	THIS DRAWING CONTAINS INFORMATION THAT IS PROPRIETARY TO MOLEX INCORPORATED AND SHOULD NOT BE USED WITHOUT WRITTEN PERMISSION			
		A3				

10 9 8 7 6 5 4 3 2 1

基板側  
PCB SIDE



基板側  
PCB SIDE



パネル側  
PANEL SIDE

Scale 4:1

嵌合図

RELEASED EC NO.: J2009-2286 DRWN: KWASHIO 2009/04/15 CHKD: SSAT003 2009/04/15 APPR: SICHIKAWA 2009/04/15 O	GENERAL TOLERANCES (UNLESS SPECIFIED)		DIMENSION STYLE MM ONLY	SCALE 2:1	DESIGN UNITS METRIC	THIRD ANGLE PROJECTION
	10 UNDER	±0.2	DRAWN BY KKOBAYASHI	DATE 09/04/15	TITLE 2.5 FLOATING CONN. REC. HS'G ASS'Y	
	10 OVER 30 UNDER	±0.25	CHECKED BY SSAT003	DATE 09/04/15	MOLEX INCORPORATED	
	30 OVER	±0.3	APPROVED BY SICHIKAWA	DATE 09/04/15		
	ANGULAR	±3 °	MATERIAL NO.	SEE SHEET 1 OF 2	DOCUMENT NO.	SD-503367-001
DRAFT WHERE APPLICABLE MUST REMAIN WITHIN DIMENSIONS		SIZE A3	THIS DRAWING CONTAINS INFORMATION THAT IS PROPRIETARY TO MOLEX INCORPORATED AND SHOULD NOT BE USED WITHOUT WRITTEN PERMISSION			