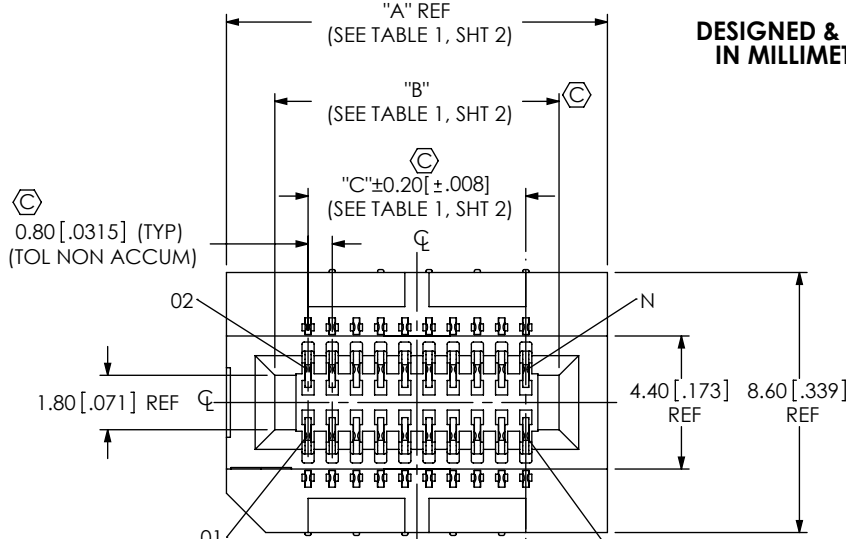


DO NOT SCALE FROM THIS PRINT

DESIGNED & DIMENSIONED IN MILLIMETERS [INCHES]

MEC8-1XX-XX-X-VXX



No OF POSITIONS
 -10, -20, -30, *-35, 40
 *-45, *-50, *-60, *-70
 (PER ROW)

CARD THICKNESS
 -02: 1.57mm [.062] THICK CARD

PLATING SPECIFICATION
 -L: 10μ" SELECTIVE GOLD IN CONTACT AREA, MATTE TIN ON TAIL
 -S: 30μ" SELECTIVE GOLD IN CONTACT AREA, MATTE TIN ON TAIL

TAIL
 -VP: PRESS FIT
 *-VT1: VT-TH, .062" PCB (SEE FIG 3, SHT 2)
 *-VT2: VT-TH, .093" PCB (SEE FIG 3, SHT 2)

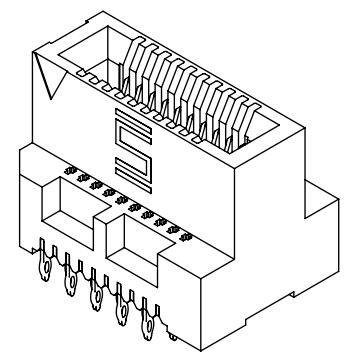


TABLE 3 (SEE NOTE 5)

NO OF POS	CAT FIXTURE NO
-10	CAT-MEC8-PF-10
-20	CAT-MEC8-PF-20
-30	CAT-MEC8-PF-30

(* = NOT TOOLED)

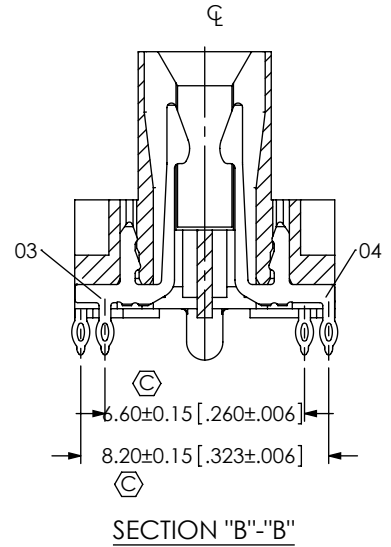
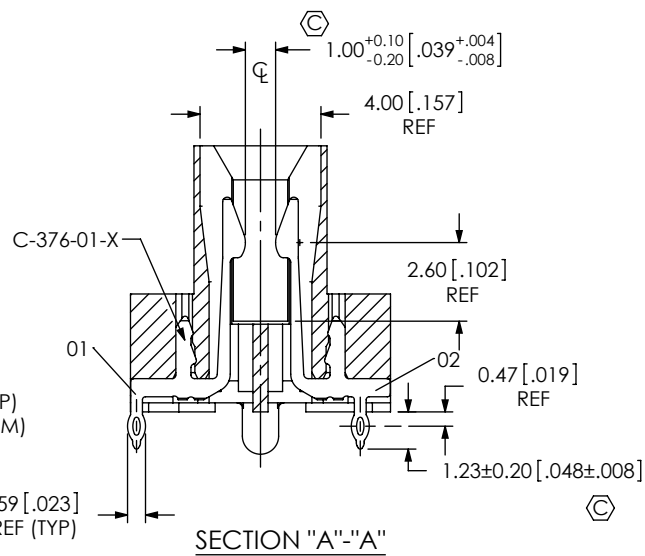
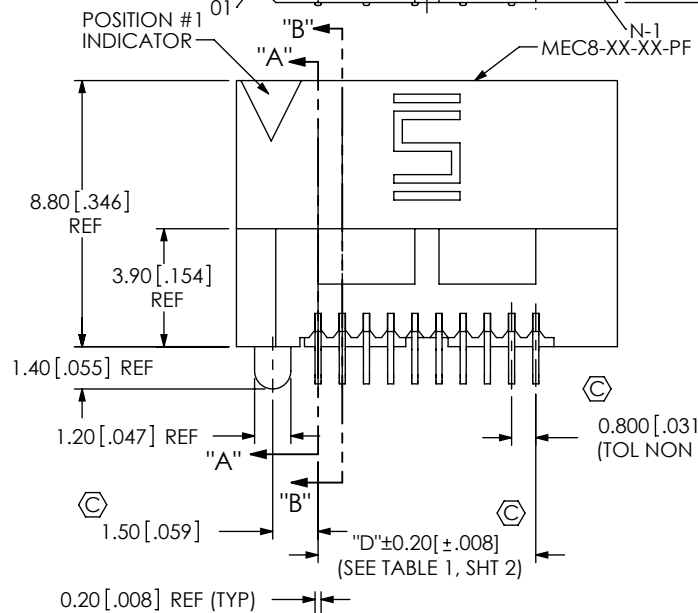
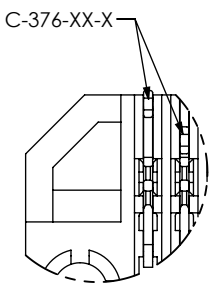


FIG 1
 MEC8-110-02-X-VP SHOWN
 (FOR POSITIONS -10, -20, -30 & *-35)

(DIFFERENT AS SHOWN, OTHERWISE SAME AS SECTION "A"-"A")



DETAIL 'E'
 SCALE 6:1

NOTES:

1. Ⓞ REPRESENTS A CRITICAL DIMENSION.
2. MAXIMUM BURR ALLOWANCE: 0.04[.0015].
3. MINIMUM PUSHOUT FORCE: 2.2 NEWTONS
4. ASSEMBLIES TO BE PACKAGED IN TRAYS.
5. APPLICATION TOOLING REQUIRED FOR TERMINATIONS, SEE TABLE 3.

UNLESS OTHERWISE SPECIFIED, DIMENSIONS ARE IN MILLIMETERS. TOLERANCES ARE:
 DECIMALS ANGLES
 X.X: ±0.3 [01]
 X.XX: ±0.13 [005]
 X.XXX: ±0.051 [0020]

PROPRIETARY NOTE
 THIS DOCUMENT CONTAINS INFORMATION CONFIDENTIAL AND PROPRIETARY TO SAMTEC, INC. AND SHALL NOT BE REPRODUCED OR TRANSFERRED TO OTHER DOCUMENTS OR DISCLOSED TO OTHERS OR USED FOR ANY PURPOSE OTHER THAN THAT WHICH IT WAS OBTAINED WITHOUT THE EXPRESSED WRITTEN CONSENT OF SAMTEC, INC.



520 PARK EAST BLVD, NEW ALBANY, IN 47150
 PHONE: 812-944-6733 FAX: 812-948-5047
 e-Mail: info@SAMTEC.com code 53322

MATERIAL: DO NOT SCALE DRAWING SHEET SCALE: 4:1
 INSULATOR: LCP, COLOR: BLACK
 CONTACT: COPPER

DESCRIPTION:
 0.80 MM PRESS FIT MINI-EDGE CARD ASSEMBLY
 DWG. NO.

MEC8-1XX-XX-X-VXX

BY: ROY LUO 02/04/2012 SHEET 1 OF 2

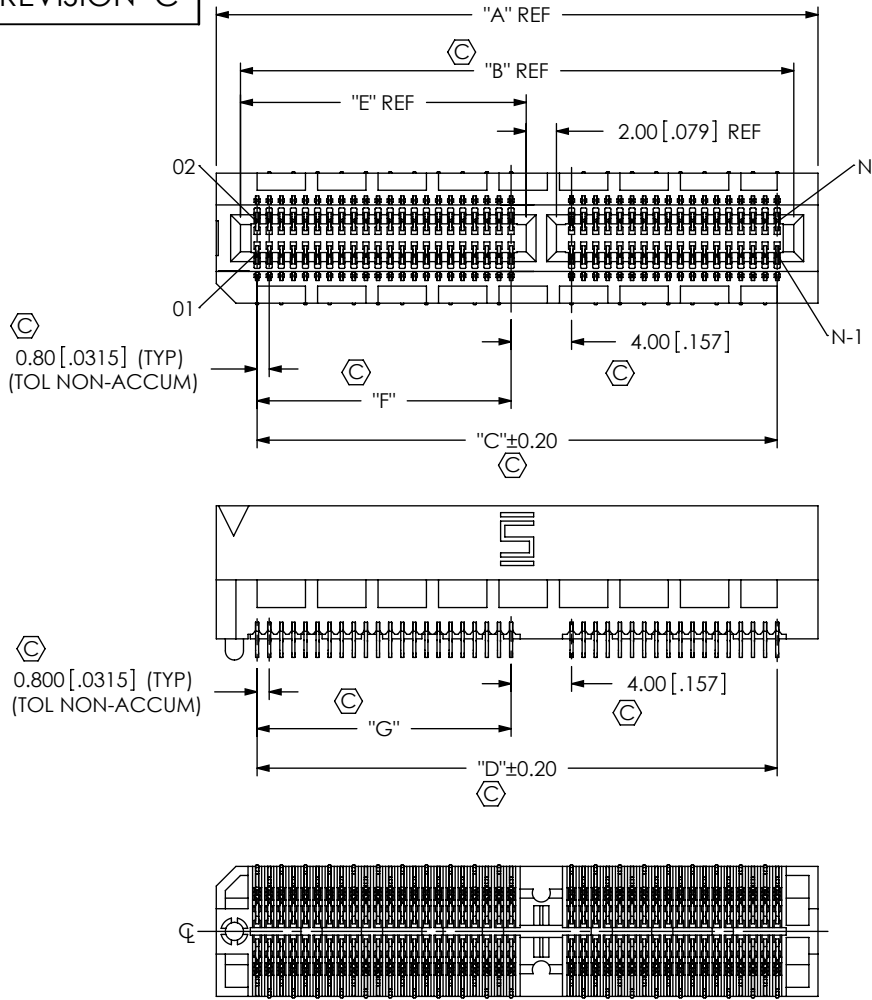


FIG 2
MEC8-140-02-X-VP SHOWN
(DIFFERENT AS SHOWN, OTHERWISE SAME AS FIG 1)
(FOR POSITIONS -40, *-45, *-50, *-60 & *-70)

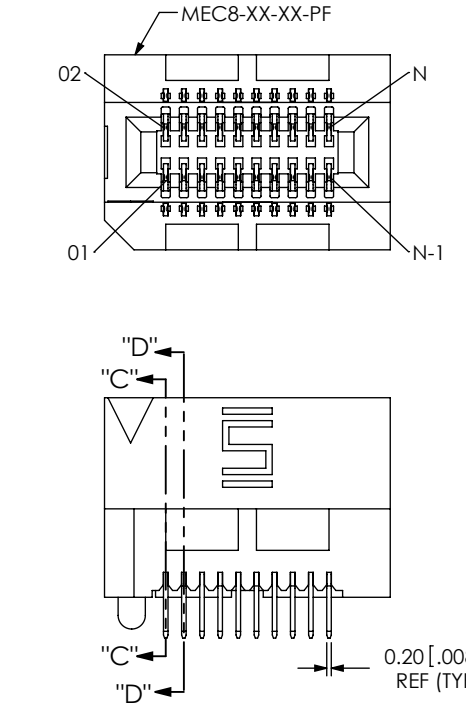
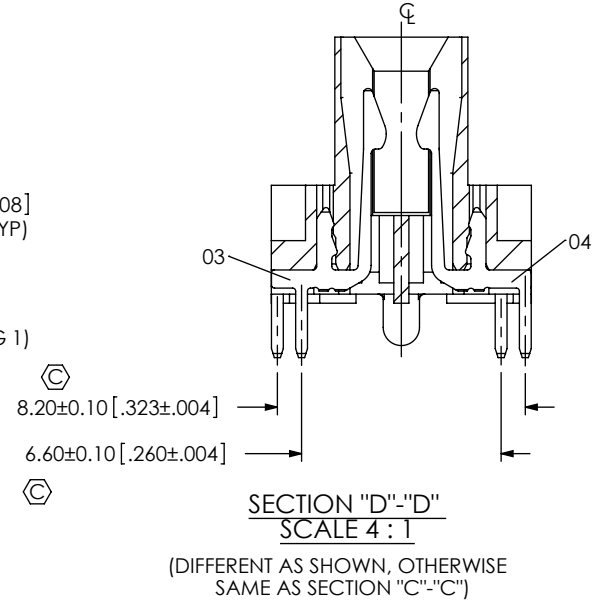
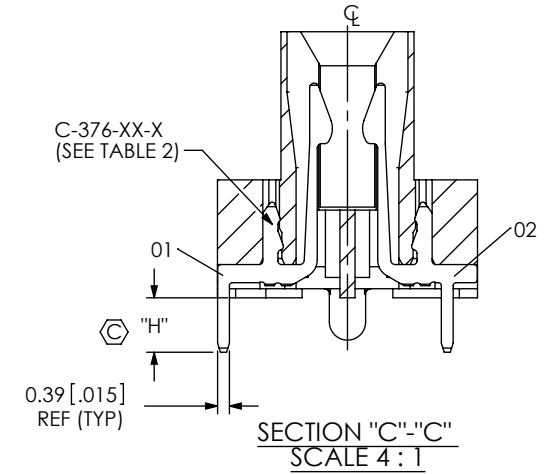


FIG 3
MEC8-110-02-X-VTX SHOWN
(DIFFERENT AS SHOWN, OTHERWISE SAME AS FIG 1)
(FOR POSITIONS -10, -20, -30 & *-35)
(* = NOT TOOLED)

TABLE 2

TAIL	"H"	C-376-XX-X
*-VT1	1.80 [0.071]	C-376-02-X
*-VT2	2.60 [0.102]	C-376-03-X

(* = NOT TOOLED)



(DIFFERENT AS SHOWN, OTHERWISE SAME AS SECTION "C"-"C")

TABLE 1

No OF POS	"A"	"B"	"C"	"D"	"E"	"F"	"G"
-10	12.60 [0.496]	9.40 [0.370]	7.20 [0.283]	7.200 [0.2835]	N/A	N/A	N/A
-20	20.60 [0.811]	17.40 [0.685]	15.20 [0.598]	15.200 [0.5984]	N/A	N/A	N/A
-30	28.60 [1.126]	25.40 [1.000]	23.20 [0.913]	23.200 [0.9134]	N/A	N/A	N/A
*-35	32.60 [1.283]	29.40 [1.157]	27.20 [1.071]	27.200 [1.0709]	N/A	N/A	N/A
-40	39.80 [1.567]	36.60 [1.441]	34.40 [1.354]	34.400 [1.3543]	18.90 [0.744]	16.80 [0.661]	16.800 [0.6614]
*-45	43.80 [1.724]	40.60 [1.598]	38.40 [1.512]	38.400 [1.5118]	20.50 [0.807]	18.40 [0.724]	18.400 [0.7244]
*-50	47.80 [1.882]	44.60 [1.756]	42.40 [1.669]	42.400 [1.6693]	22.90 [0.902]	20.80 [0.819]	20.800 [0.8189]
*-60	55.80 [2.197]	52.60 [2.071]	50.40 [1.984]	50.400 [1.9843]	26.90 [1.059]	24.80 [0.976]	24.800 [0.9764]
*-70	63.80 [2.512]	60.60 [2.386]	58.40 [2.299]	58.400 [2.2992]	30.90 [1.217]	28.80 [1.134]	28.800 [1.1339]

(* = NOT TOOLED)

PROPRIETARY NOTE
THIS DOCUMENT CONTAINS INFORMATION CONFIDENTIAL AND PROPRIETARY TO SAMTEC, INC. AND SHALL NOT BE REPRODUCED OR TRANSFERRED TO OTHER DOCUMENTS OR DISCLOSED TO OTHERS OR USED FOR ANY PURPOSE OTHER THAN THAT WHICH IT WAS OBTAINED WITHOUT THE EXPRESSED WRITTEN CONSENT OF SAMTEC, INC.

DO NOT SCALE DRAWING

SHEET SCALE: 2:1

samtec
520 PARK EAST BLVD, NEW ALBANY, IN 47150
PHONE: 812-944-6733 FAX: 812-948-5047
e-Mail info@SAMTEC.com code 55322

DESCRIPTION:
0.80 MM PRESS FIT MINI-EDGE CARD ASSEMBLY

DWG. NO. MEC8-1XX-XX-X-VXX

BY: ROY LUO 02/04/2012 SHEET 2 OF 2