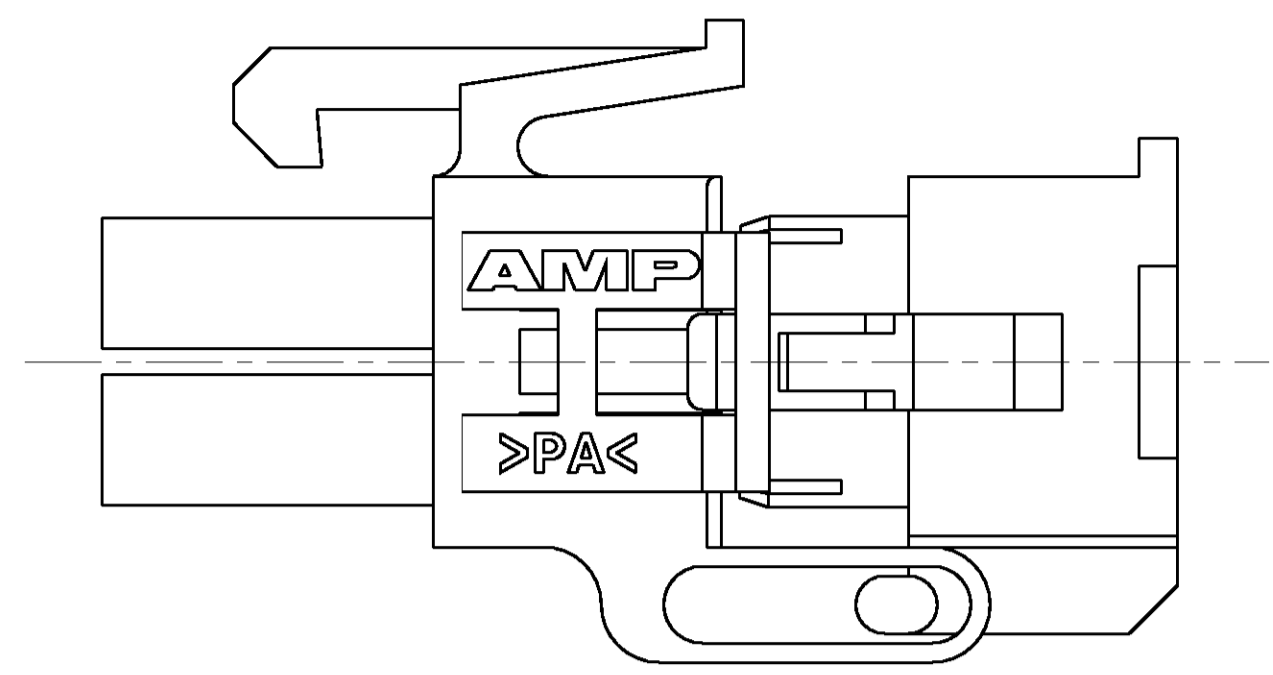
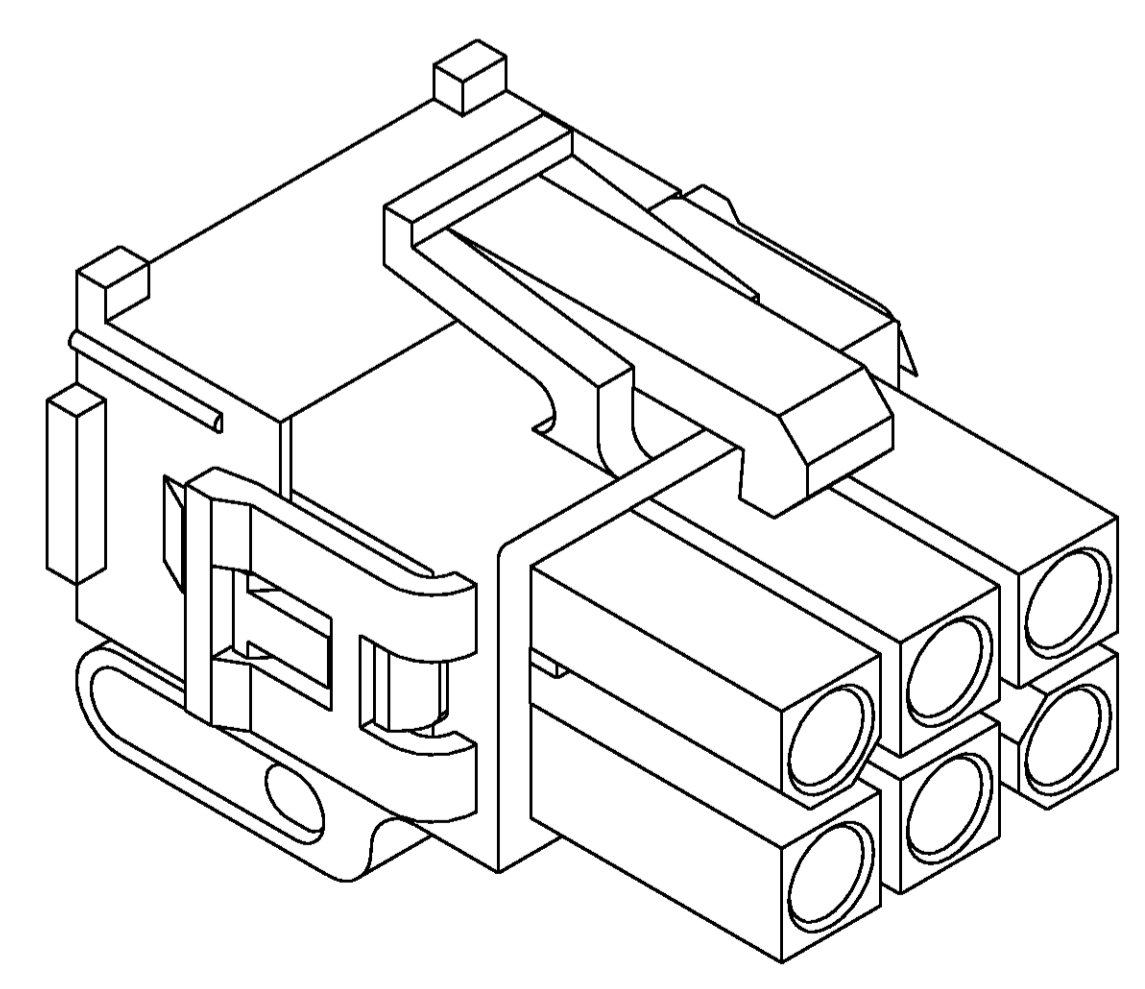
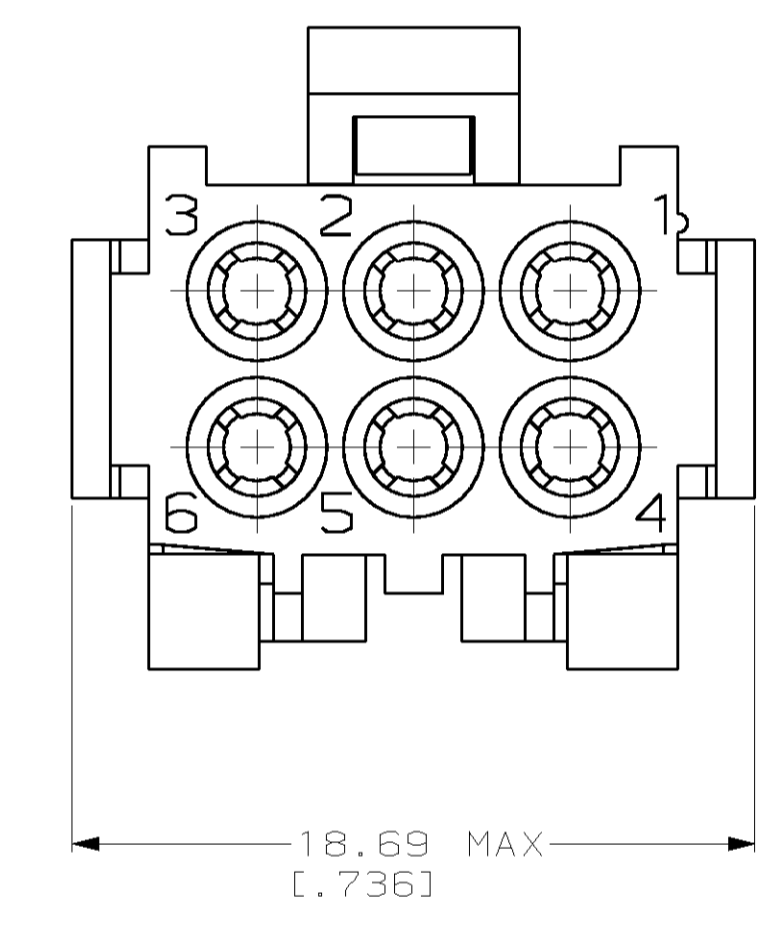
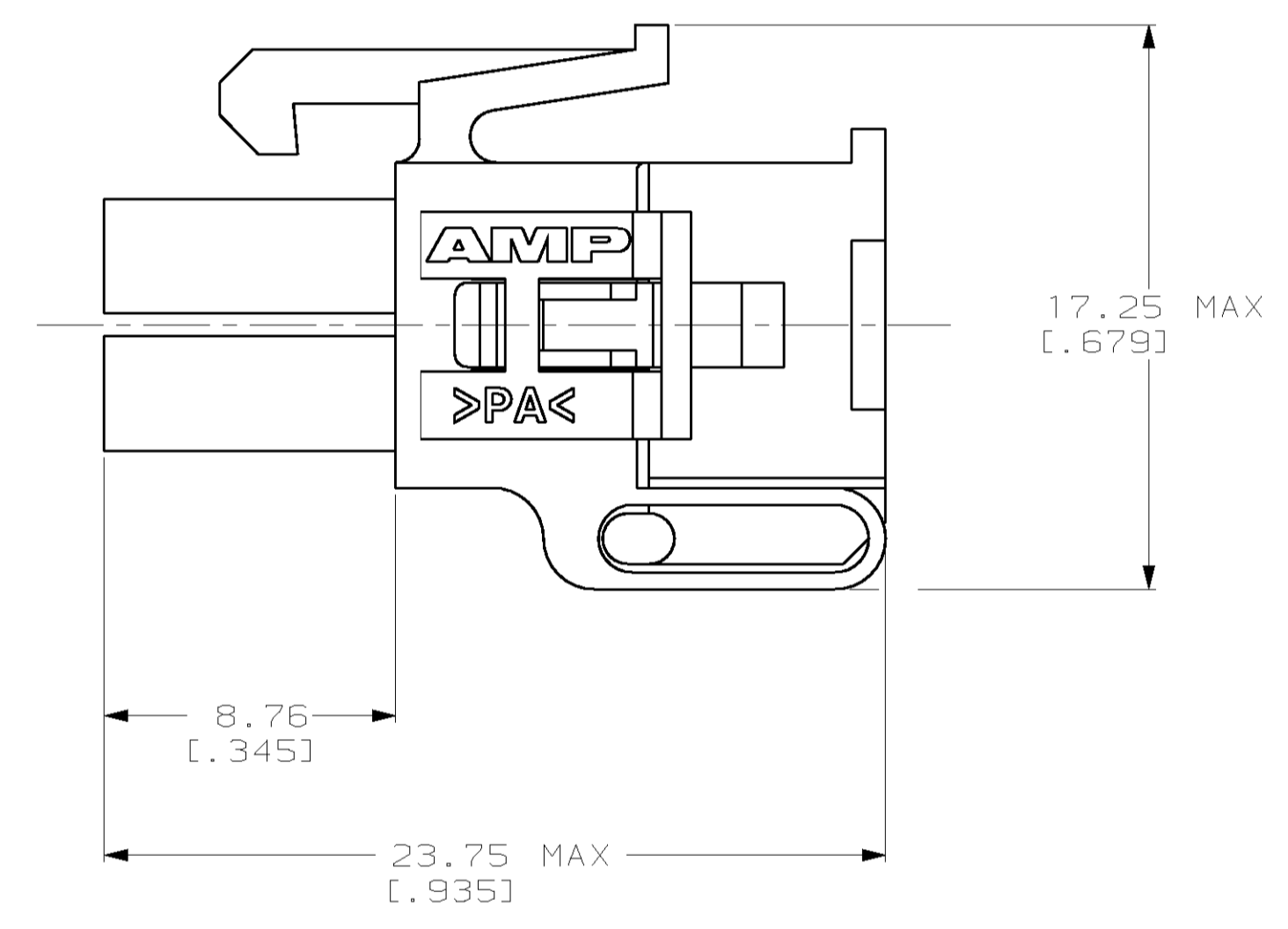
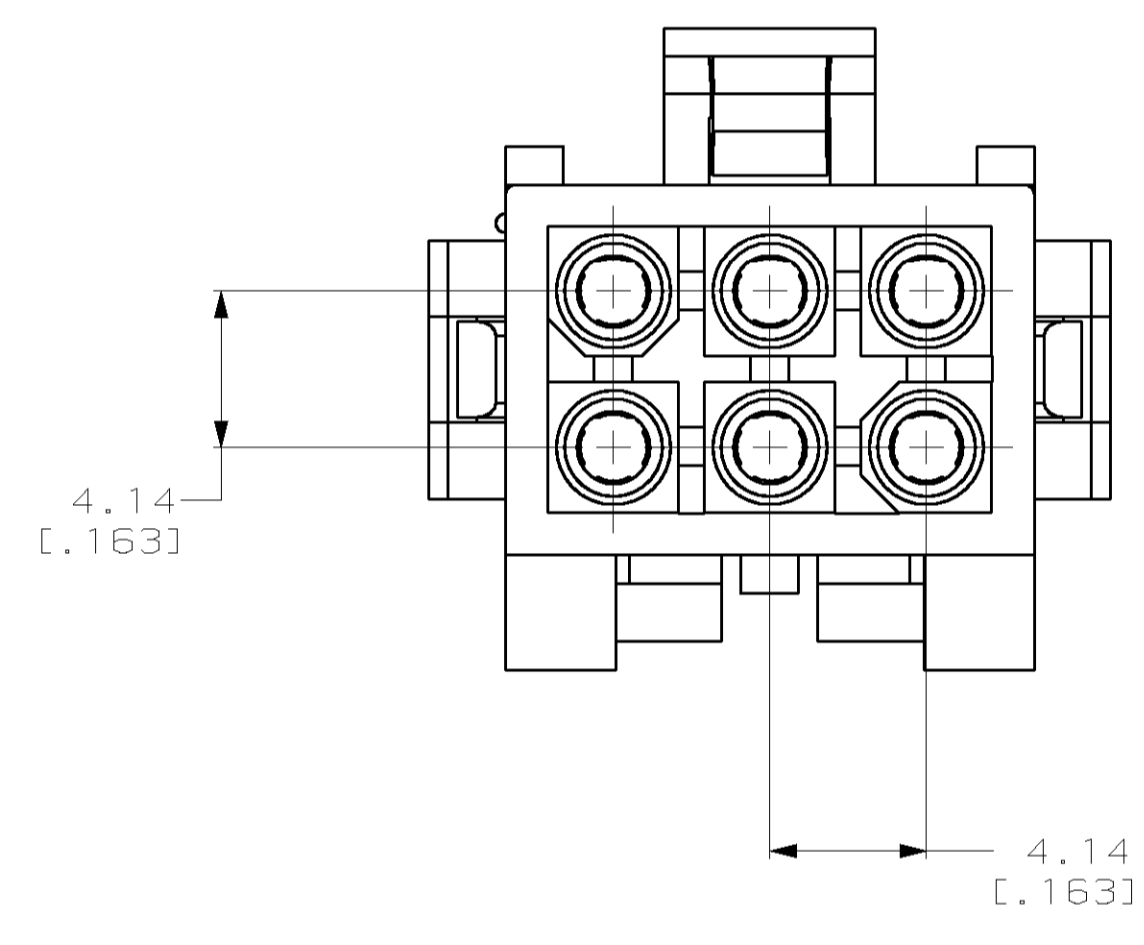


LOC		DIST		REVISIONS			
F	CHR	DATE	BY	CHK	APPROV		
B		23-SEP-99	KW	REV PER EC	061B-0094-99		KC



PRE-STAGED CONDITION

1. DIMENSIONS IN BRACKETS ARE IN INCHES.



3-DIMENSIONAL MODEL
NTS

794243-1
PART NUMBER

METRIC

THIS DRAWING IS A CONTROLLED DOCUMENT.		DWN K. WHITAKER	5-12-97	AMP AMP Incorporated Harrisburg, PA 17105-3608
		CHK R. SWING	5-12-97	
DIMENSIONS:		APPROV R. ORSTAD	5-12-97	NAME PLUG, 6 CIRCUIT, MINI UNIVERSAL MATE-N-LOK™ 2
TOLERANCES UNLESS OTHERWISE SPECIFIED:		PRODUCT SPEC		APPLICATION SPEC
0 PLC	±			
1 PLC	±			
2 PLC	±			
3 PLC	±0.13 (.005)			
4 PLC	±			
ANGLES	±			
MATERIAL	NYLON, UL 94V-2,NATURAL	FINISH		RESTRICTED TO
CUSTOMER DRAWING		SCALE	5:1	SHEET 1 OF 1