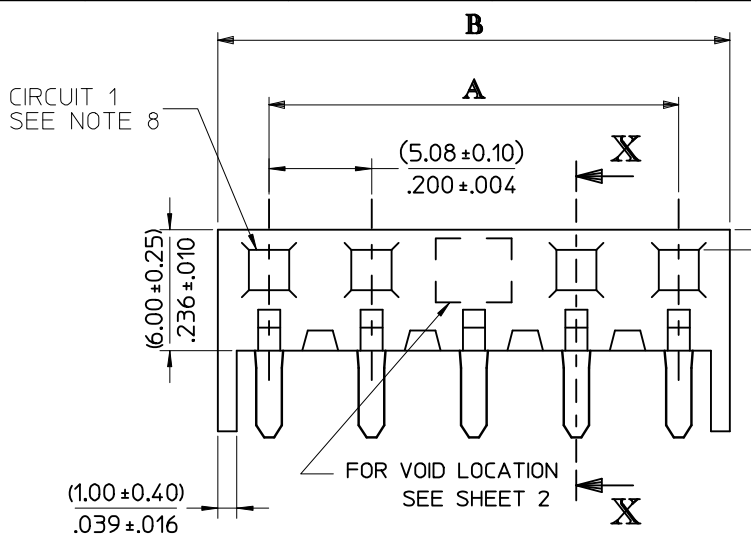
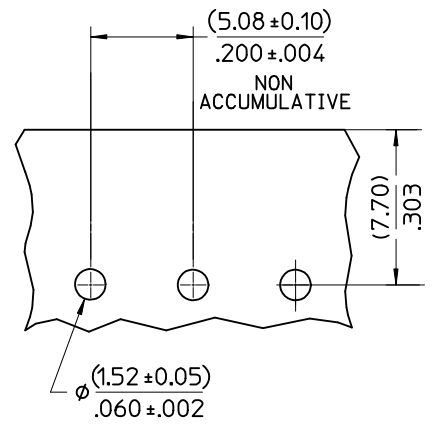
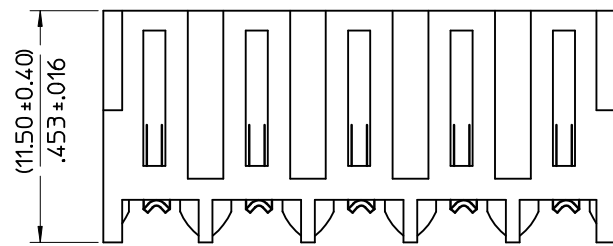


CCT	PART No.	ENG No.	DIM A	DIM B
2	10-10-1021	AE-3002-2A	(5.08 ± 0.10) .200 ± .004	(10.16 ± 0.25) .400 ± .006
3	-1031	-3A	(10.16 ± 0.10) .400 ± .004	(15.24 ± 0.15) .600 ± .008
4	-1041	-4A	(15.24 ± 0.10) .600 ± .004	(20.32 ± 0.15) .800 ± .008
5	-1051	-5A	(20.32 ± 0.10) .800 ± .004	(25.40 ± 0.15) 1.000 ± .008
6	-1061	-6A	(25.40 ± 0.10) 1.000 ± .004	(30.48 ± 0.20) 1.200 ± .008
7	-1071	-7A	(30.48 ± 0.20) 1.200 ± .008	(35.56 ± 0.20) 1.400 ± .008
8	-1081	-8A	(35.56 ± 0.20) 1.400 ± .008	(40.64 ± 0.20) 1.600 ± .008
9	-1091	-9A	(40.64 ± 0.20) 1.600 ± .008	(45.72 ± 0.20) 1.800 ± .008
10	-1101	-10A	(45.72 ± 0.20) 1.800 ± .008	(50.80 ± 0.20) 2.000 ± .008
11	-1111	-11A	(50.80 ± 0.20) 2.000 ± .008	(55.88 ± 0.20) 2.200 ± .012
12	10-10-1121	AE-3002-12A	(55.88 ± 0.25) 2.200 ± .010	(60.96 ± 0.20) 2.400 ± .012

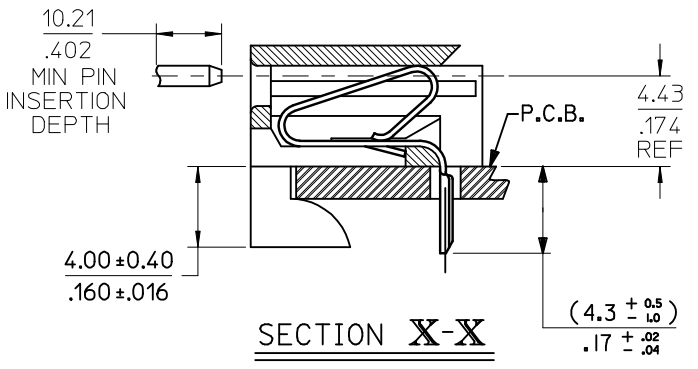


(1.00 ± 0.25)
.039 ± .010

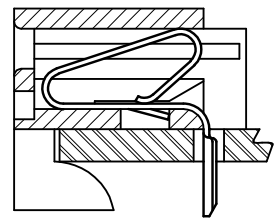
(1.00 ± 0.40)
.039 ± .016



RECOMMENDED P.C.B.HOLE DIMENSIONS
RECOMMENDED P.C.B. THICKNESS: 1.57/.062



SECTION X-X



OPTIONAL CORE

- NOTES:
- HOUSING : NYLON, UL94V-2, COLOR: NATURAL
TERMINAL : PHOSPHOR BRONZE
 - FINISH: HOT TIN DIP. (0.00254)/.000100 MIN
 - PRODUCT SPECIFICATION : PS-99020-0087
 - PACKAGING SPECIFICATION : TBD
 - HOUSING SUITABLE FOR (1.14±0.15)/.045±.006 RD OR SQ. PINS
 - HOOKS AVAILABLE ON ENDS ONLY
 - THIS PART CONFORMS TO CLASS B REQUIREMENTS OF COSMETIC SPECIFICATION PS-45499-002
 - CIRCUIT 1 I.D. USED TO DEFINE VOID LOCATION.
CIRCUIT 1 MAY OR MAY NOT LINE UP WITH CIRCUIT 1 OF MATING PART

INSERTION DEPTH	QUALITY SYMBOLS	GENERAL TOLERANCES (UNLESS SPECIFIED)		DIMENSION STYLE		SCALE	DESIGN UNITS	THIRD ANGLE PROJECTION	
		mm	INCH	MM/IN	MM/IN	4:1	METRIC	THIRD ANGLE PROJECTION	
M1	$F_{\Delta} = 0$	4 PLACES	± --- ± ---	MM/IN	DATE	1995/06/15	KONEKTCON AND P.C. TAIL TERMINAL ASSEMBLY (5.08)/.200 PITCH		
	$F_{\square} = 0$	3 PLACES	± --- ± ---	DRAWN BY	TITLE				
	$F_{\nabla} = 0$	2 PLACES	± --- ± ---	GCH	1995/06/15				
	$F_{\circ} = 0$	1 PLACE	± --- ± ---	CHECKED BY	DATE				
		0 PLACE	± --- ± ---	GMCSWEENEY	2005/08/31				
		ANGULAR ± --- °	APPROVED BY	DATE					
		DRAFT WHERE APPLICABLE MUST REMAIN WITHIN DIMENSIONS	JDENNEHY	2005/08/31					
			MATERIAL NO.	SEE CHART			DOCUMENT NO.	SDAE-3002-NA-*	SHEET NO.
			SIZE	A3	THIS DRAWING CONTAINS INFORMATION THAT IS PROPRIETARY TO MOLEX INCORPORATED AND SHOULD NOT BE USED WITHOUT WRITTEN PERMISSION				

CCT	PART No.	ENG No.	VOID CCT. No's	HOOKS
8	10-05-1089	AE-3002-8A-3	3	YES
9	38-00-1502	AE-3002-9A-51	2,4,6,8	YES
5	38-00-7643	AE-3002-5A-52	NONE	NONE

OBSOLETE 13-20 CKT EC NO: UCP/2011-3286 DRWN:MMSTROH 2011/04/25 CHKD:MKIPPER 2011/04/30 APPR:FSM/JTH 2011/05/02	QUALITY SYMBOLS	GENERAL TOLERANCES (UNLESS SPECIFIED)		DIMENSION STYLE MM ONLY		SCALE ---	DESIGN UNITS METRIC	THIRD ANGLE PROJECTION	
	$\nabla_A = 0$	4 PLACES	mm	INCH	DRAWN BY GCH	DATE 1986/06/17	TITLE KONEKTCON AND P.C. TAIL TERMINAL ASSEMBLY (5.08)/.200 PITCH		
	$\nabla_C = 0$	3 PLACES	±---	±---	CHECKED BY GMCSWEENEY	DATE 2005/08/31	MOLEX INCORPORATED		
	$\nabla_B = 0$	2 PLACES	±---	±---	APPROVED BY JDENNEHY	DATE 2005/08/31	MATERIAL NO.	DOCUMENT NO.	SHEET NO.
	1 PLACE	±---	±---	ANGULAR ±---°		SEE CHART		SDAE-3002-NA-*	2 OF 2
		DRAFT WHERE APPLICABLE MUST REMAIN WITHIN DIMENSIONS		THIS DRAWING CONTAINS INFORMATION THAT IS PROPRIETARY TO MOLEX INCORPORATED AND SHOULD NOT BE USED WITHOUT WRITTEN PERMISSION					