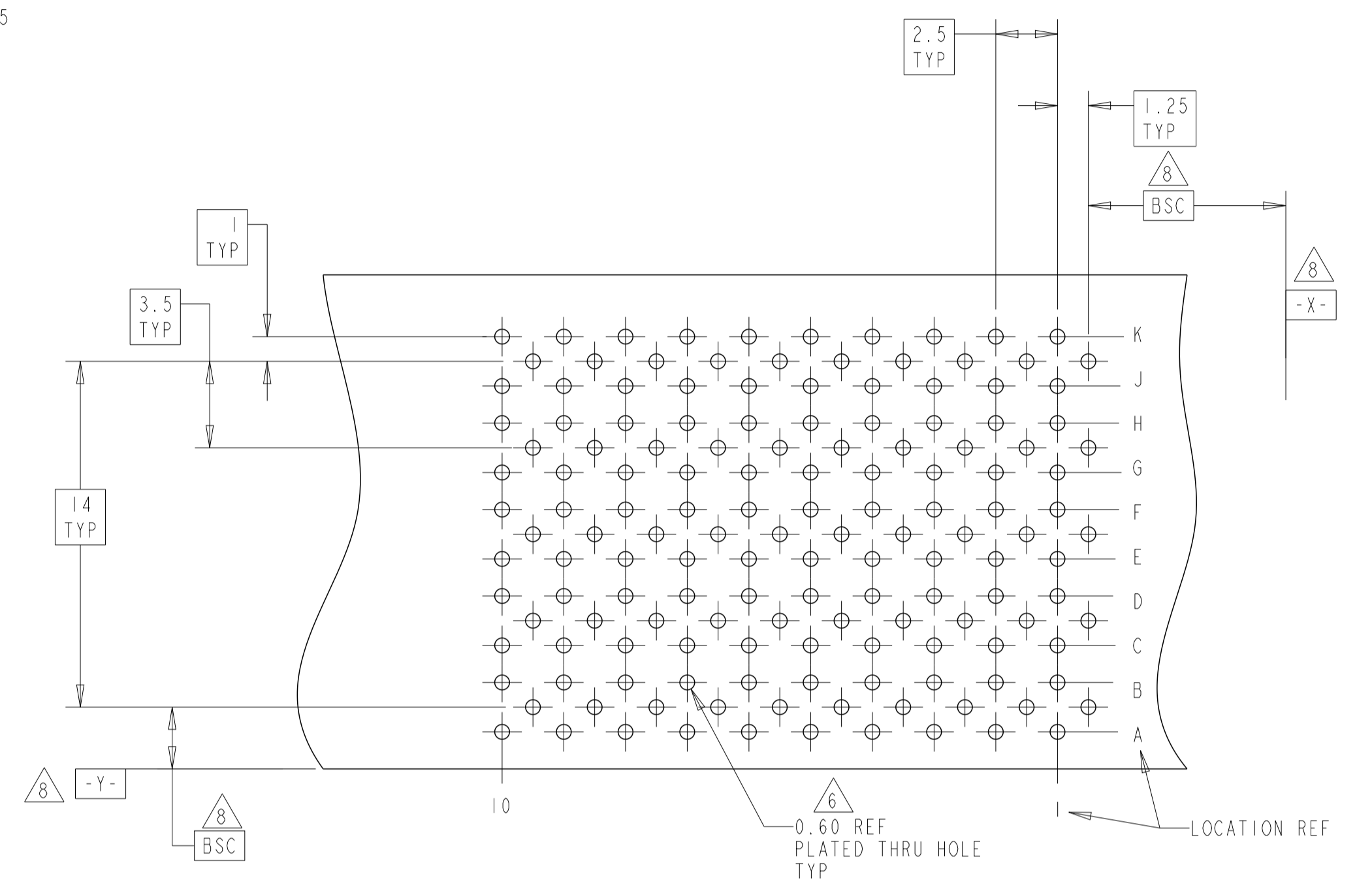
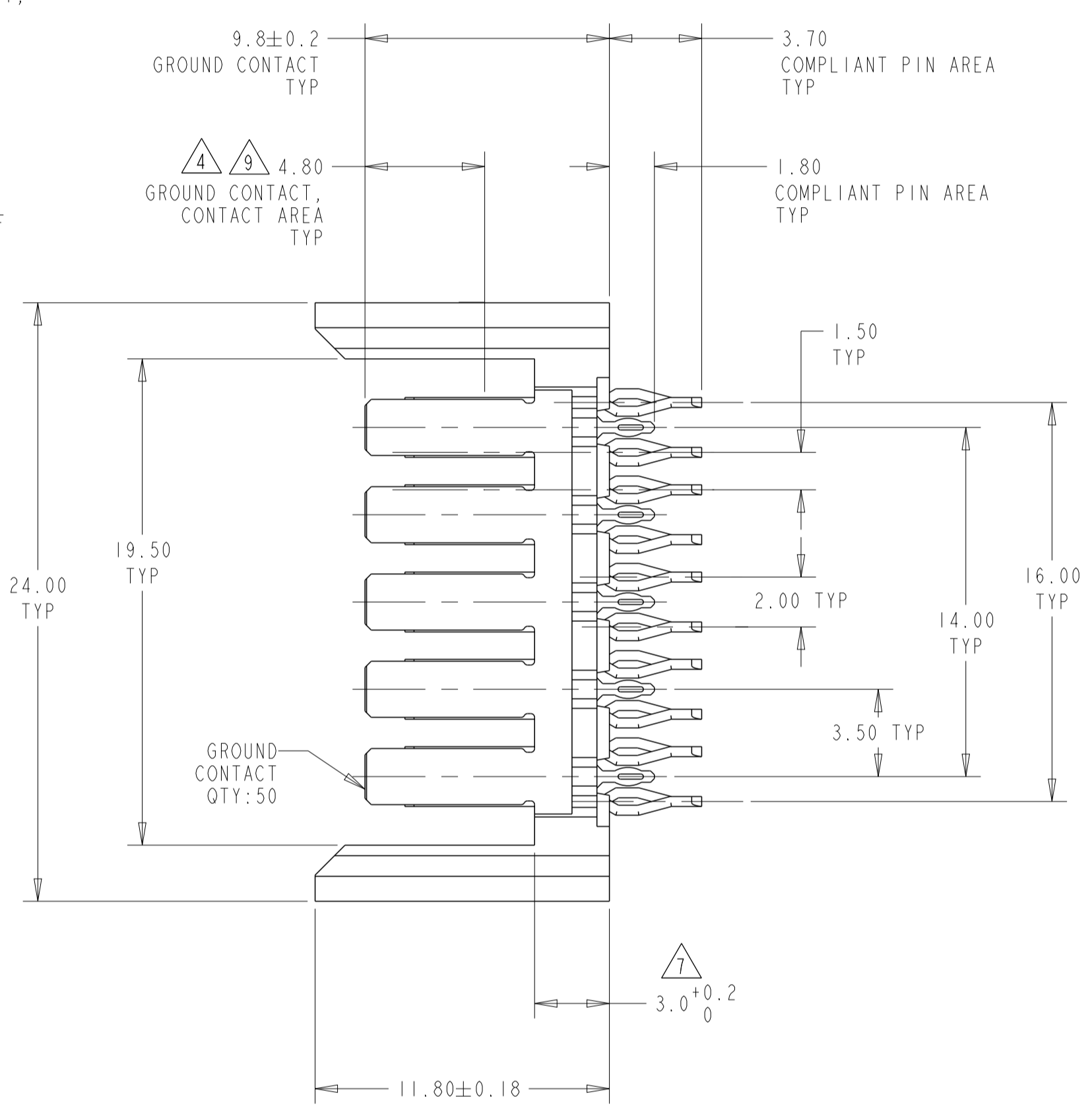
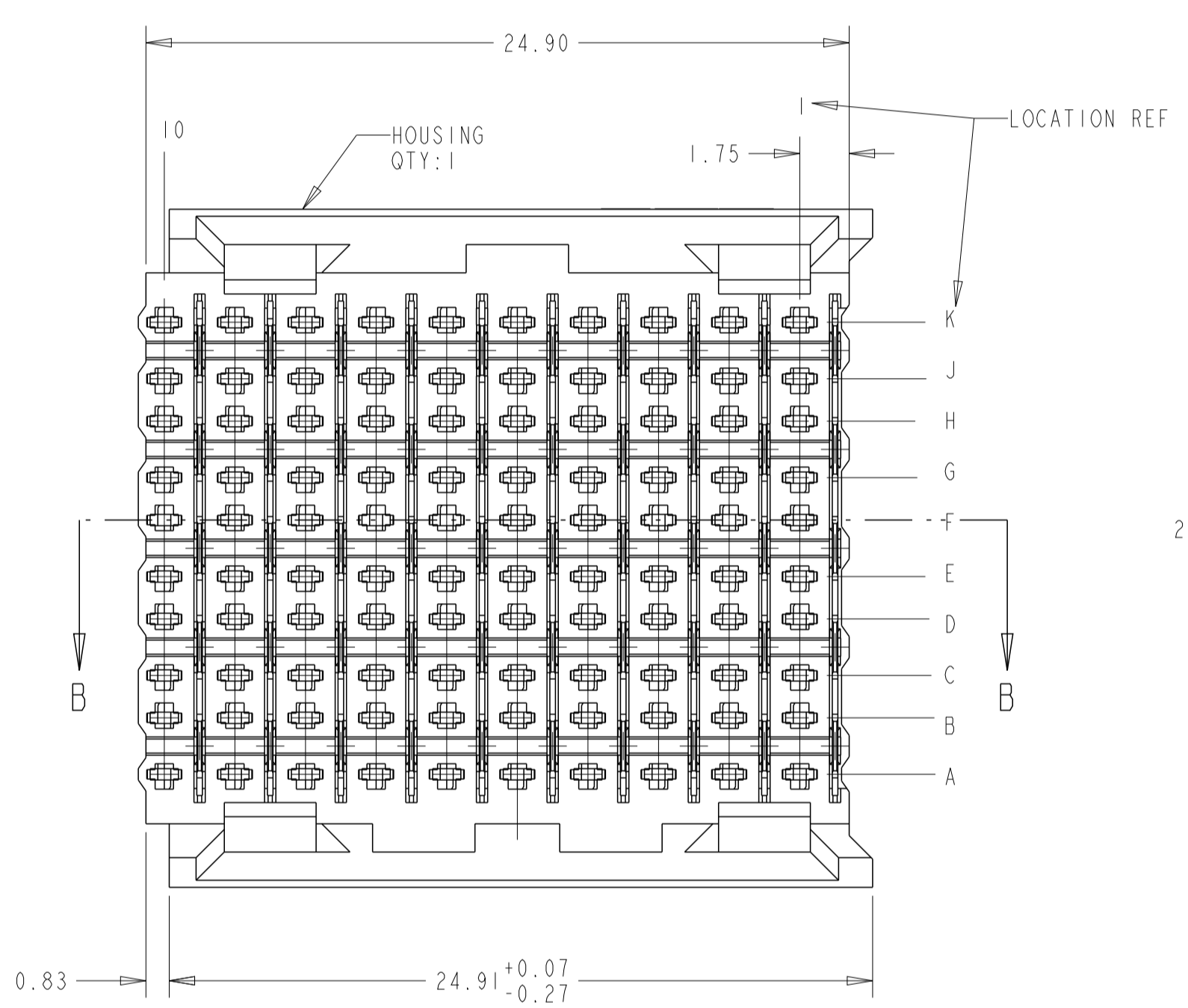
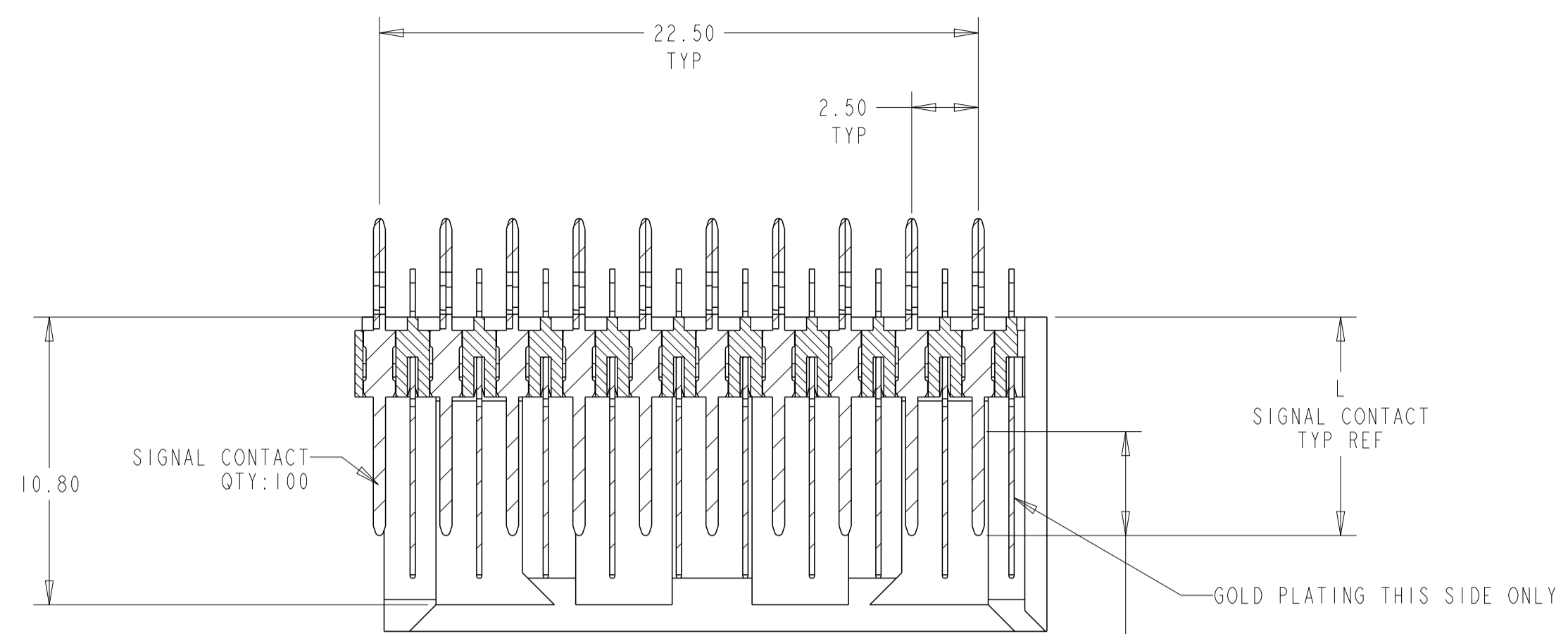
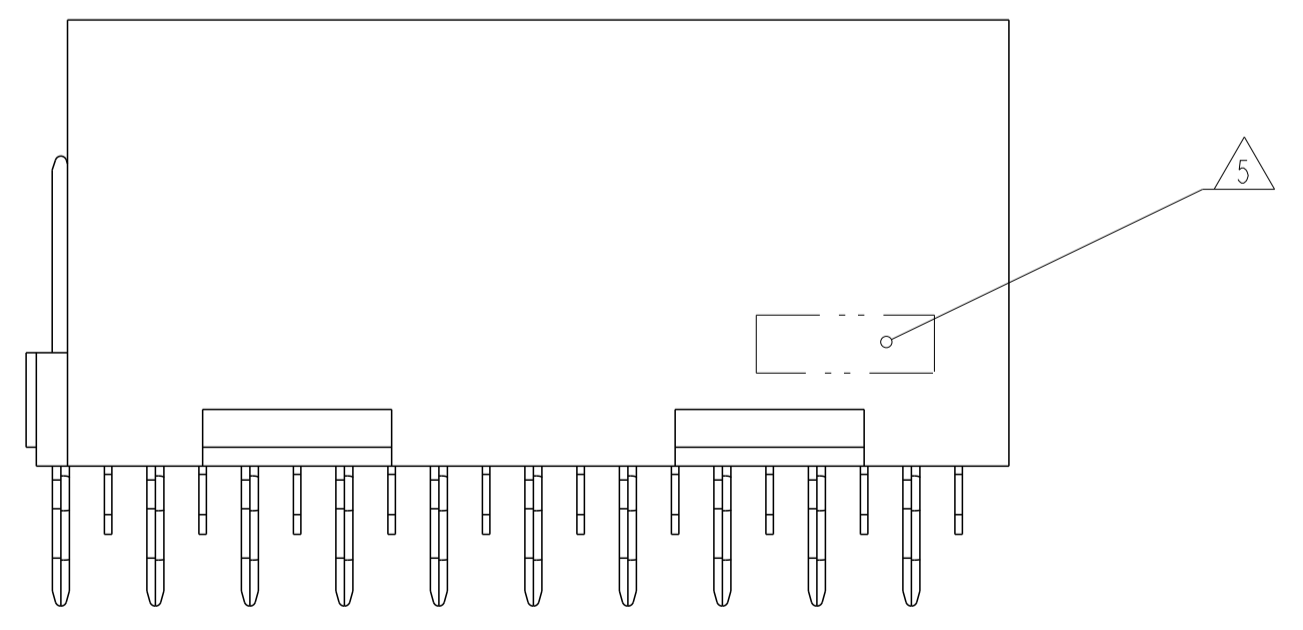


LOC	DIST	REVISIONS			
P	LTN	DESCRIPTION	DATE	DWN	APVD
A		REVISED PER ECO-13-004852	16APR2013	KH	RP

- 2 PHOSPHOR BRONZE
- 3 LCP, UL94V-0
- 4 GOLD FLASH OVER 0.30µm MIN PALLADIUM-NICKEL OVER 1.27µm MIN NICKEL UNDERPLATE ON CONTACT AREA. 0.76µm MIN TIN OVER 1.27µm MIN NICKEL ON COMPLIANT PIN AREA
- 5 CONNECTOR MARKED WITH PART NUMBER AND DATE CODE
- 6 REFERENCE APPLICATION SPEC 114-13020 FOR RECOMMENDED PLATED THRU HOLE DIAMETER AND PLATING THICKNESS.
- 7 APPLICATION SEATING HEIGHT TO PRINTED CIRCUIT BOARD
- 8 DATUMS AND BASIC DIMENSIONS ESTABLISHED BY CUSTOMER
- 9 CONTACT AREA LUBRICATED WITH BELLCORE APPROVED LUBRICANT TECHNICAL REFERENCE: GR-1217-CORE, ISSUE 1, NOVEMBER 1995



RECOMMENDED
 PRINTED CIRCUIT BOARD
 LAYOUT
 COMPONENT SIDE OF PRINTED CIRCUIT BOARD



3.90	8.2	6645401-1
M	L	PART NUMBER

THIS DRAWING IS A CONTROLLED DOCUMENT.

DWN: B. CARBO 06DEC04
 CHK: M. BOWERS 06DEC04
 APVD: M. BOWERS 06DEC04

NAME: HEADER ASSEMBLY, 100 POSN, 7-PACK HS3 BACKPLANE CONNECTOR

SIZE: A1 CAGE CODE: 00779 DRAWING NO: 6645401 RESTRICTED TO: -

MATERIAL: HOUSING: 3 CONTACTS: 2 SIGNAL CONTACT: 4

Customer Drawing

TE Connectivity

SCALE: 5:1 SHEET: 1 OF 1 REV: A