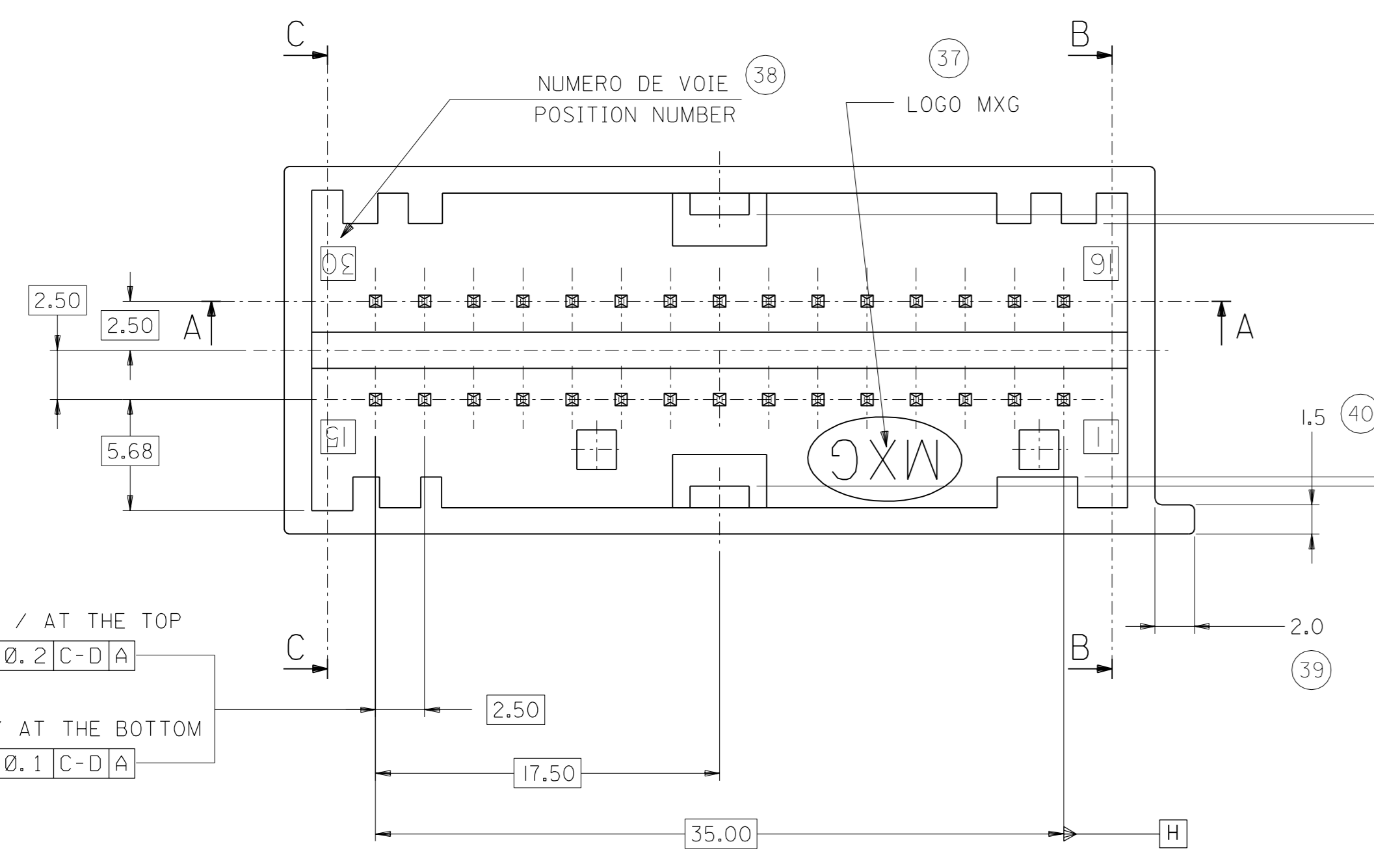
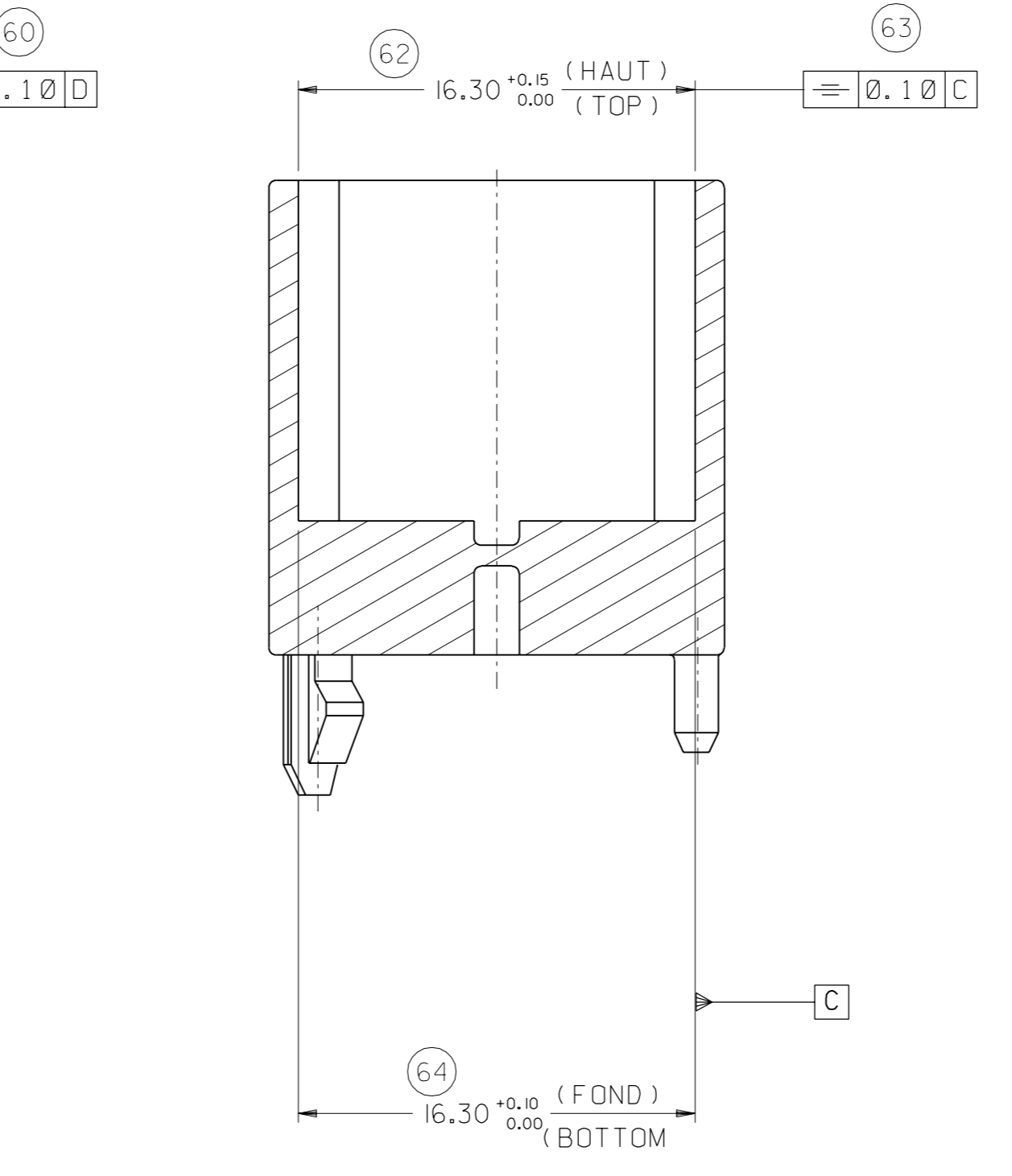
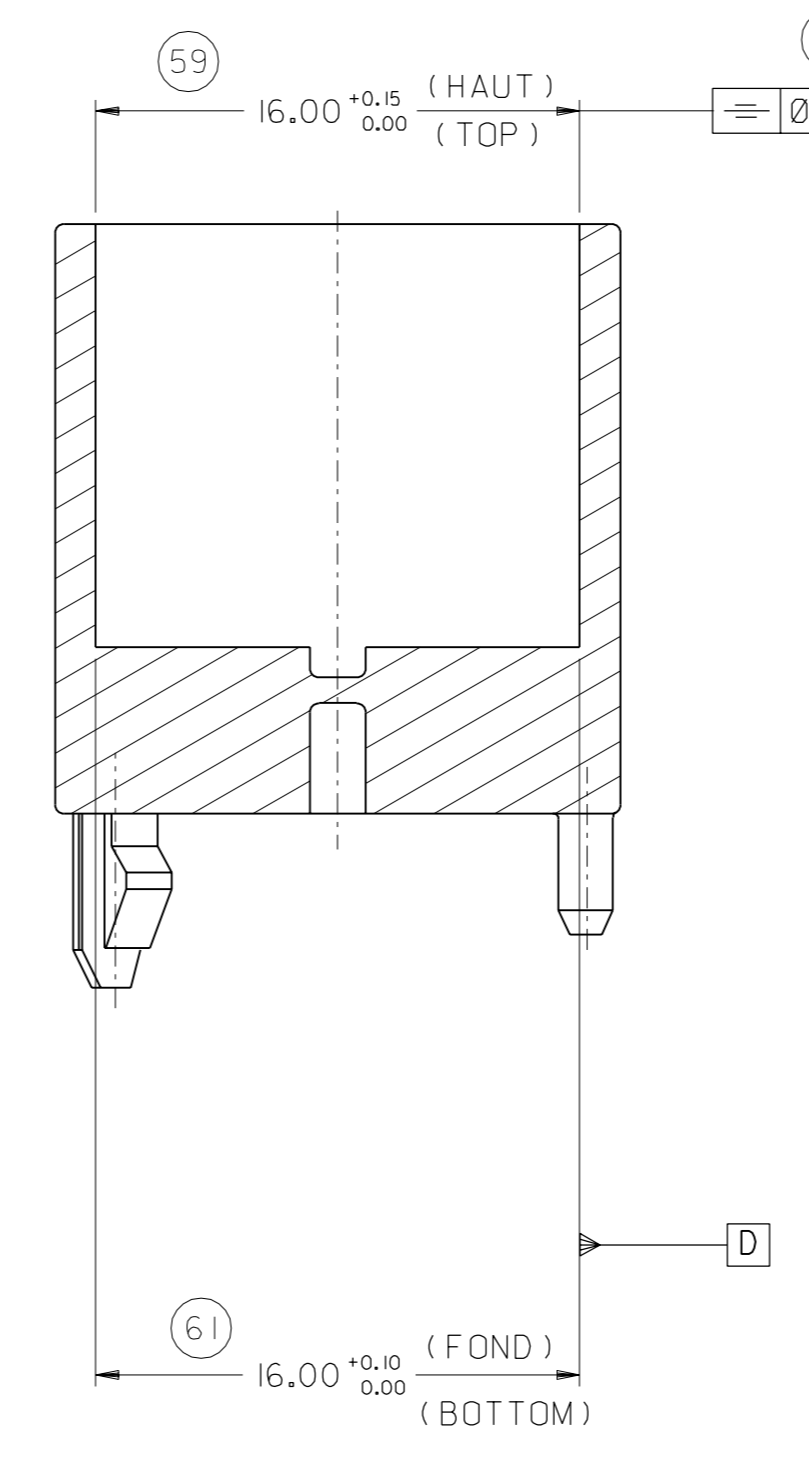
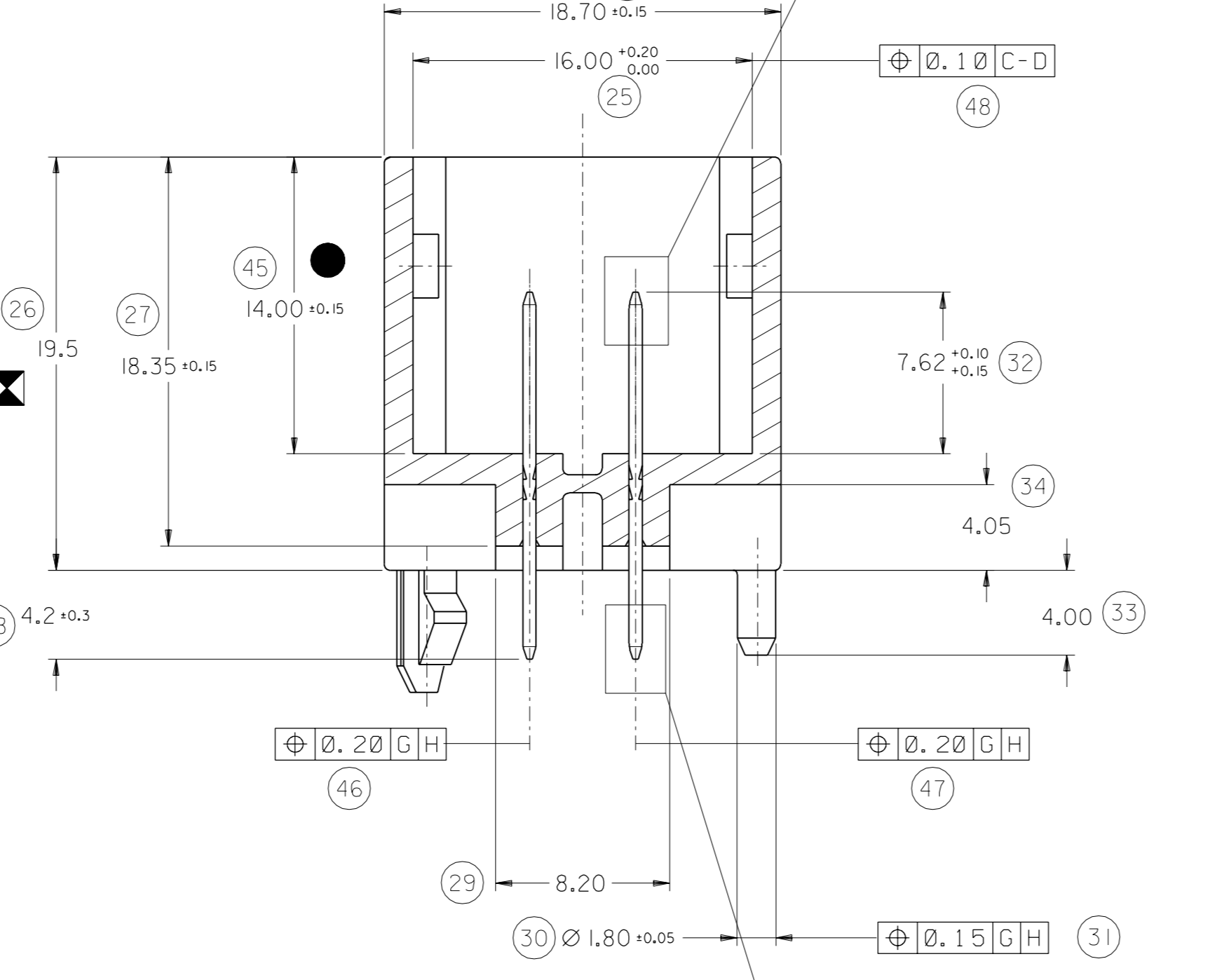
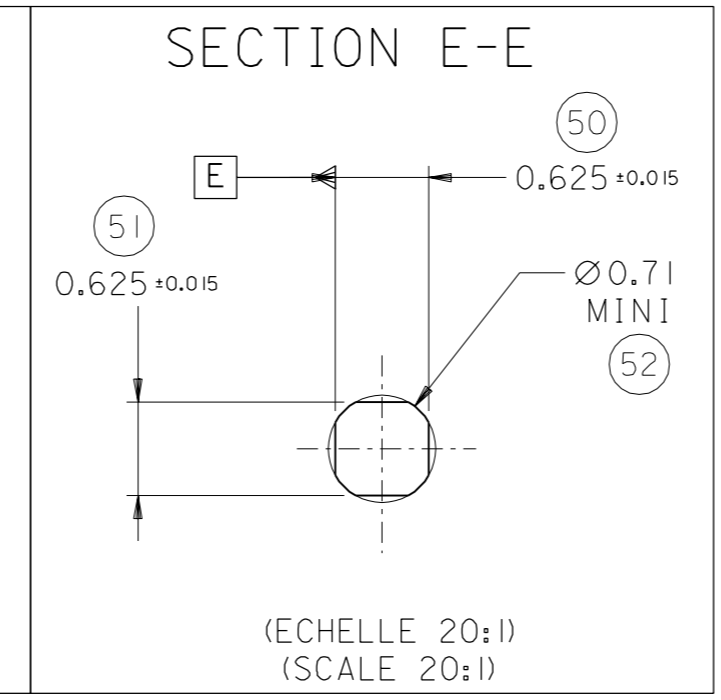
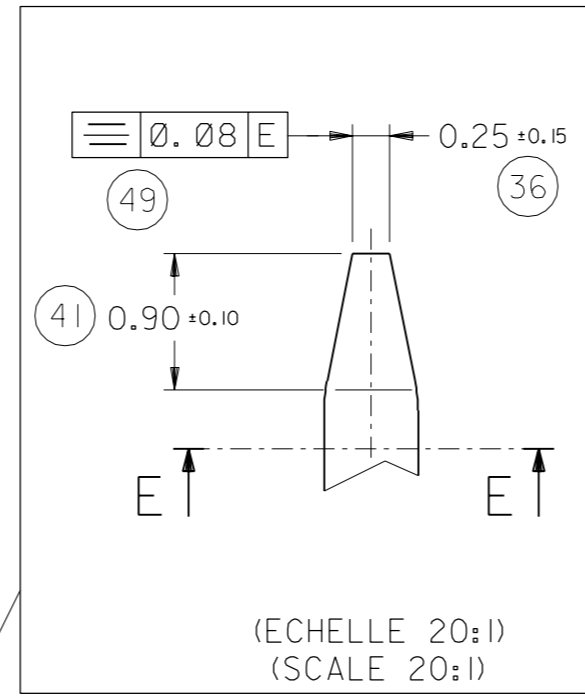
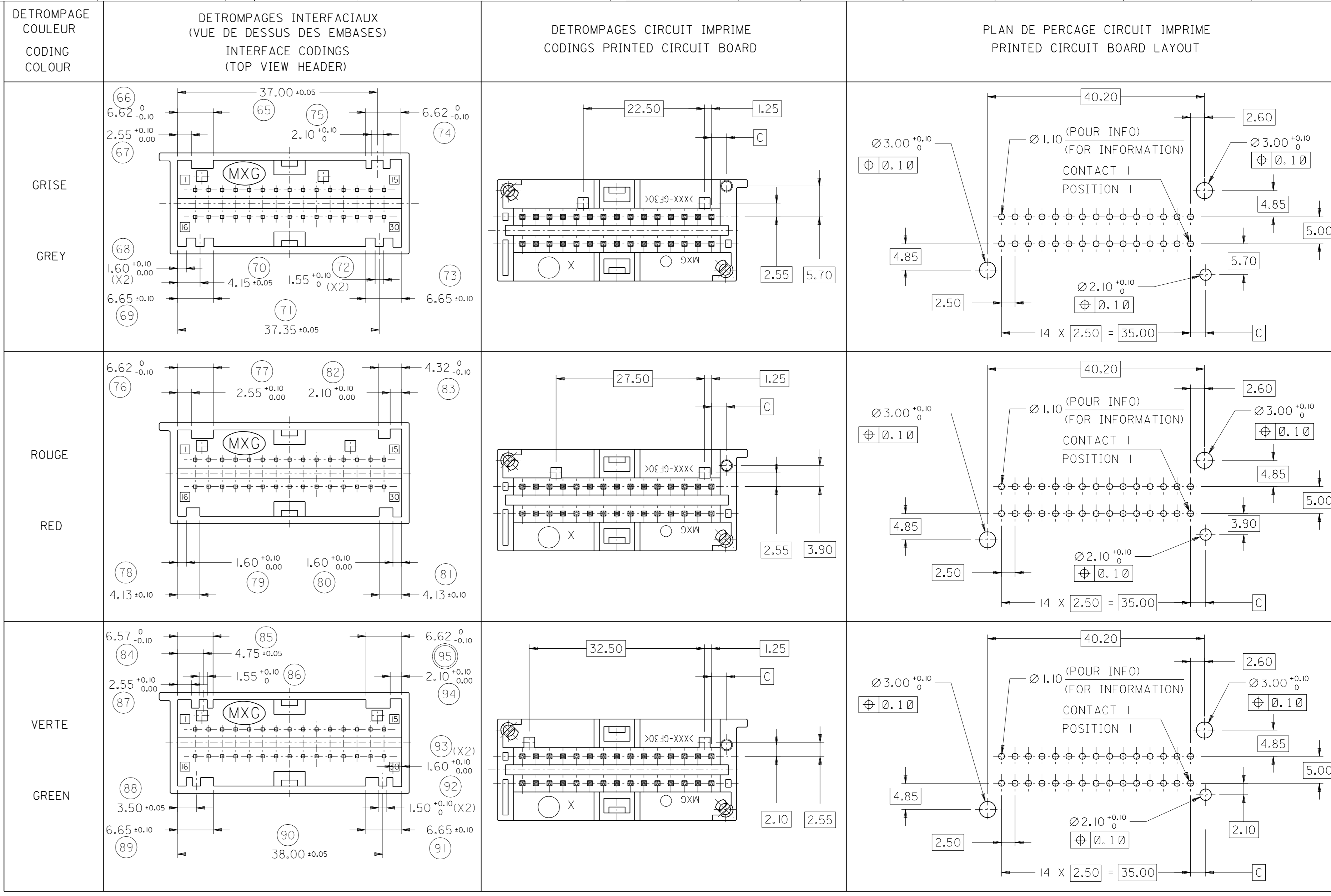


INDICE REVISION PLAN CLIENT SD-98462-004; "C"  
CUSTOMER DRAWING REVISION LEVEL SD-98462-004; "C"  
QUANTITE/ANNEE DE L'ASSEMBLAGE  
DAY OF YEAR/YEAR OF ASSEMBLY OPERATION  
MARQUAGE JET D'ENCRE  
INK JET PRINTING  
REFERENCE MOLEX  
MOLEX PART NUMBER  
PLAN DE POSE C.I.L.  
P.C.B SURFACE



AU SOMMET / AT THE TOP  
33  $\Phi$  0.2 C-D  
A LA BASE / AT THE BOTTOM  
54  $\Phi$  0.1 C-D



COULEUR COLOUR	MATIERE MATERIAL	REFERENCE MOLEX MOLEX PART NUMBER	DIM. C	PORTE-CLIP ASSOCIEE FEMALE MODULE ASSOCIATED
GRIS GREY	PBT-30GF	98462-1111	3.50	77 03 297 770
GRIS GREY	PCT-30GF	98462-1121	2.80	77 03 297 770
ROUGE RED	PBT-30GF	98462-1112	3.50	77 03 297 769
ROUGE RED	PCT-30GF	98462-1122	2.80	77 03 297 769
VERTE GREEN	PBT-30GF	98462-1113	3.50	77 03 297 768
VERTE GREEN	PCT-30GF	98462-1123	2.80	77 03 297 768

NOTES:  
1- LE CODAGE REPRESENTE CORRESPOND A LA COULEUR GRIS (MATERIE PCT)  
FOR ILLUSTRATION PURPOSES GREY COLOUR PART IS SHOWN (PCT MATERIAL)  
2- PIECE CONFORME AU PLAN D'EMPREINTE RENAULT REF: T 710 001 006  
PART IN ACCORDANCE WITH INTERFACE DRAWING RENAULT: T 710 001 006.  
3- EPAISSEUR CIRCUIT IMPRIME: 150 ± 0.14 mm.  
PRINTED CIRCUIT BOARD THICKNESS: 150 ± 0.14 mm.  
4- RETENTION DES CONTACT DANS L'ISOLANT: 25N min.  
PINS RETENTION IN HOUSING: 25N min.  
5- EPAISSEUR D'ETAMAGE CONTACT: 1 A 3 microns m.  
TIN PLATING THICKNESS OF PIN: 1 TO 3 microns m.  
6- CLIPSAGE DE L'EMBASE SUR CIRCUIT IMPRIME;  
HEADER FIXTURE OF PRINTED CIRCUIT BOARD.  
EFFORT D'INSERTION: 10 A 30N.  
INSERTION FORCE: 10 TO 30N.  
EFFORT D'EXTRACTION: 30N min.  
RETENTION FORCE: 30N min.  
7- SPECIFICATION D'EMBALLAGE : PP-98462-010.  
PACKAGING SPECIFICATION : PP-98462-010.

INDICATION DIMENSIONS S.P.C  
DENOTES S.P.C DIMENSIONS  
INDICATION DIMENSIONS FONCTIONNELLES  
DENOTES FUNCTIONAL DIMENSIONS  
QUANTITE PAR FEUILLE INDIVIDUELLE  
QUANTITY PER INDIVIDUAL SHEET  
☒ = 1 PLACE(S)    ● = 3 PLACE(S)

EC No. G-200 I-0061 DRWN: CBO 00/11/30 CHK: / APPR: / REV: /	QUALITY SYMBOLS MAJOR CRITICAL	GENERAL TOLERANCES: (UNLESS SPECIFIED)	SCALE 4 : 1	DESIGN UNITS <input checked="" type="checkbox"/> mm <input type="checkbox"/> INCH	SHT REV															
		<table border="1"> <tr> <th></th> <th>mm</th> <th>INCH</th> </tr> <tr> <td>4 PLACES</td> <td>±0.</td> <td>±.</td> </tr> <tr> <td>3 PLACES</td> <td>±0.</td> <td>±.</td> </tr> <tr> <td>2 PLACES</td> <td>±0.10</td> <td>±.</td> </tr> <tr> <td>1 PLACE</td> <td>±0.15</td> <td>±.</td> </tr> </table>		mm	INCH	4 PLACES	±0.	±.	3 PLACES	±0.	±.	2 PLACES	±0.10	±.	1 PLACE	±0.15	±.	DRAWN BY & DATE PGR 98/09/04	CHECKED BY & DATE PDE / /	TITLE: EMBASE 30 VOIES CMS SMT HEADER 30 WAY CUSTOMER DRAWING
			mm	INCH																
4 PLACES	±0.	±.																		
3 PLACES	±0.	±.																		
2 PLACES	±0.10	±.																		
1 PLACE	±0.15	±.																		
ANGULAR: ± 2 ° DRAFT WHERE APPLICABLE MUST REMAIN WITHIN DIMENSIONS	APPROVED BY & DATE CBO / /	CAD FILENAME S98462X1.DGN	MATERIAL NO. SEE CHART	DRAWING NO. SD-98462-004	SHEET NO. 1 OF 1															

THIS DRAWING CONTAINS INFORMATION THAT IS PROPRIETARY TO MOLEX INCORPORATED AND SHOULD NOT BE USED WITHOUT WRITTEN PERMISSION.