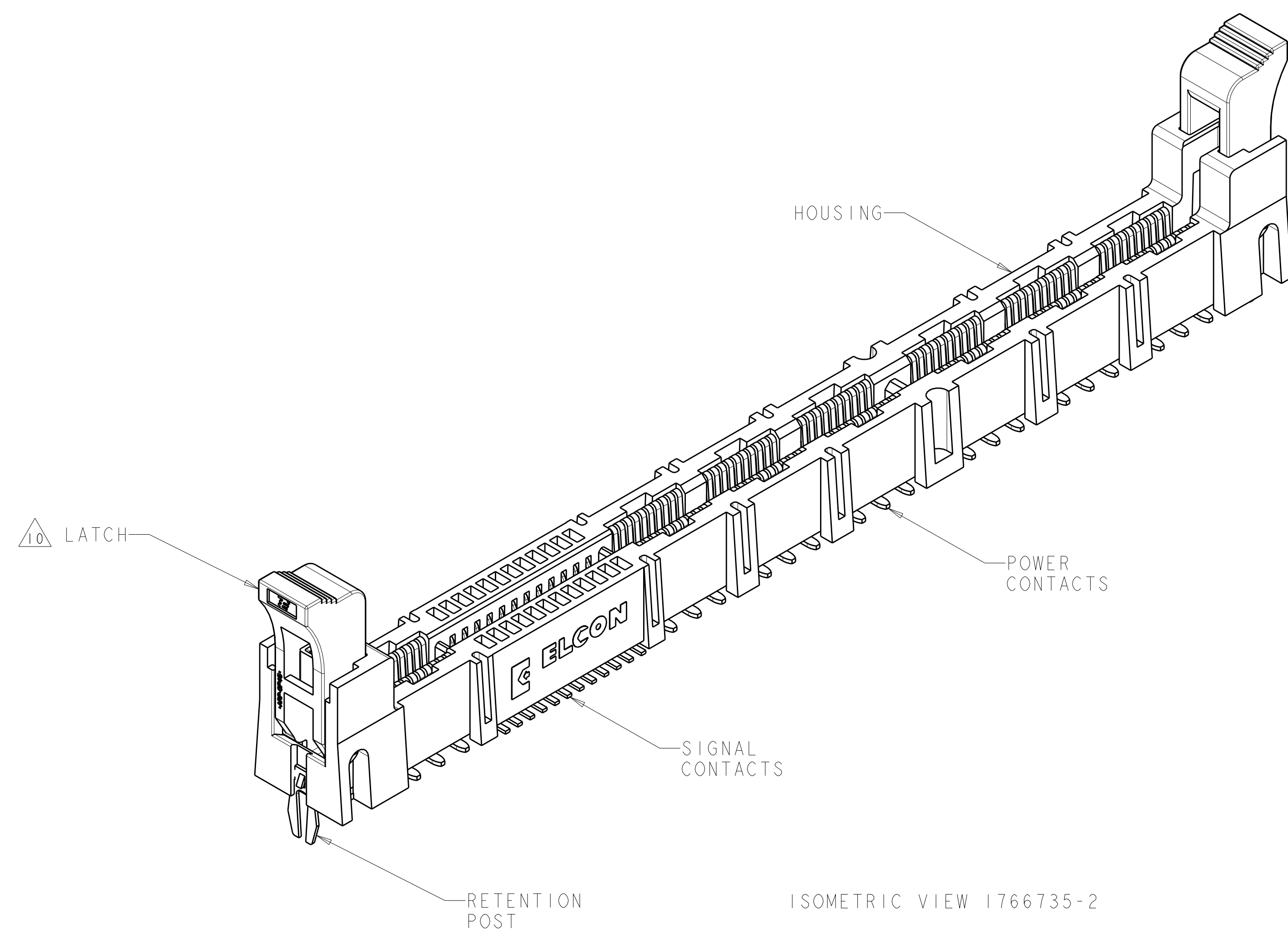


LOC	DIST	REVISIONS			
GP	00	REV	DATE	BY	APPD
		F	REV PER ECO-08-008035	08APR2008	RG PD
		G	REV PER ECO-08-016287	02OCT2008	RG PD

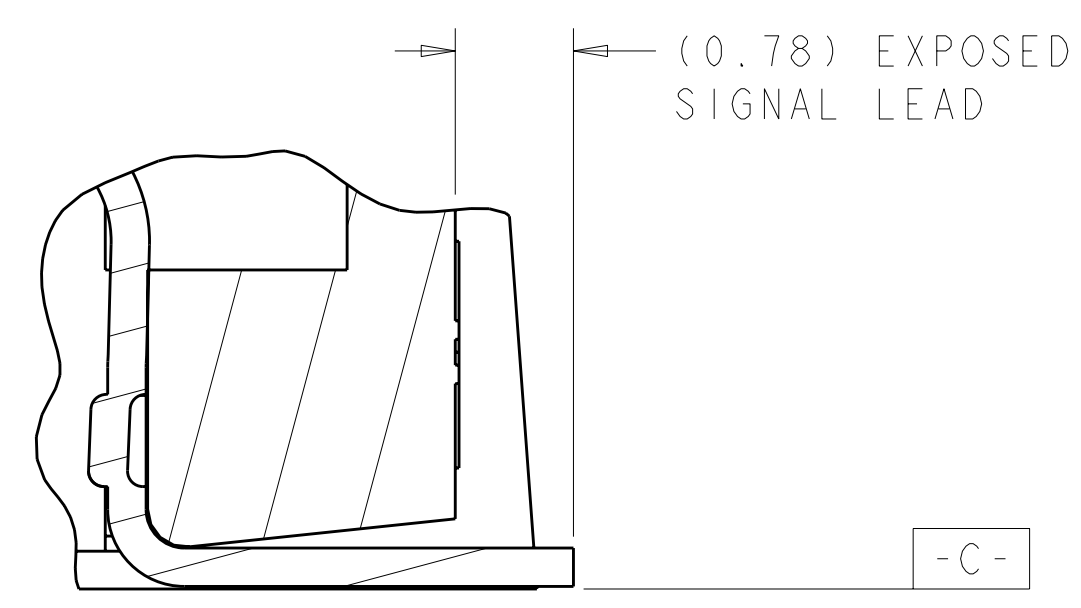
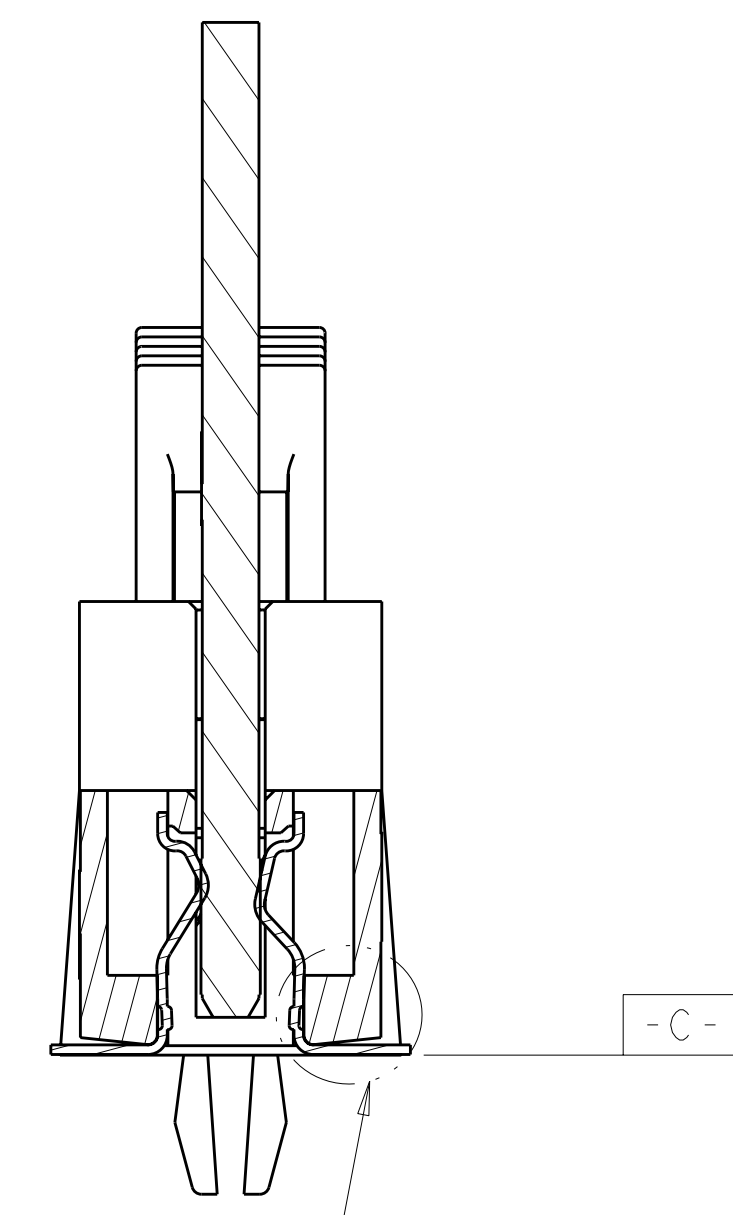
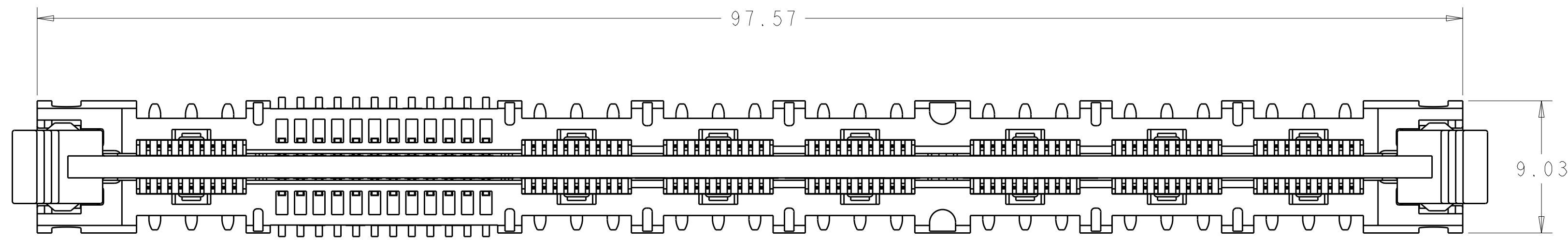


ISOMETRIC VIEW 1766735-2

1. PART NUMBER CHANGES AND OR DESIGN CHANGES AFFECTING ITEM INTERCHANGEABILITY REQUIRE PRIOR TYCO ELECTRONICS APPROVAL AND AUTHORIZATION BY REVISION TO THIS DRAWING.
2. MATERIAL:
 HOUSING: GLASS FILLED POLYESTER, COLOR-BLACK
 UL94V-0 FLAMMABILITY RATED
 LATCHES: THERMOPLASTIC, GLASS FILLED, COLOR-BLACK
 UL94V-0 FLAMMABILITY RATED
 CONTACTS: COPPER ALLOY
 RETENTION POST: COPPER ALLOY
3. FINISH:
 SIGNAL CONTACTS:
 MATING AREA-0.76µm MIN GOLD OVER 3.81µm MIN NICKEL
 0.64µm MIN NICKEL PLATE OVER REMAINDER
 SMT TAILS-3.81µm MIN MATTE TIN OVER NICKEL PLATE
 POWER CONTACTS:
 1.27µm MIN NICKEL PLATE ALL OVER
 MATING AREA-0.76µm MIN GOLD OVER NICKEL PLATE
 SMT TAILS-3.05µm MIN TIN OVER NICKEL PLATE
 RETENTION POSTS:
 3.05µm MIN MATTE TIN OVER 0.63µm MIN NICKEL
4. ITEMS PROVIDED TO THIS SPECIFICATION TO BE PERMANENTLY IDENTIFIED WITH PART NUMBER AND DATE CODE.
5. MAXIMUM BURR OF 0.013 ON CARD TAB AREA.
6. SET TRACE BACK FROM PC BOARD EDGE. NO SOLDERMASK ALLOWED BETWEEN PC BOARD EDGE AND TRACE.
7. CONNECTOR ACCEPTS 1.57±0.13 THICK PC BOARD.
8. KEEP OUT AREA FOR COMPONENTS ONLY.
9. FEATURE REQUIRED FOR USE WITH EJECTOR.
10. CAUTION:
 LATCHES ARE INTENDED FOR RETENTION OF PC BOARD TO CONNECTOR. DO NOT ATTEMPT TO FULLY EJECT PC BOARD FROM CONNECTOR WHILE DISENGAGING LATCHES, DAMAGE TO LATCHES AND OR CONNECTOR MAY OCCUR.
11. RECOMMENDED GOLD FINGER LENGTH FOR RELIABLE CONTACT.
12. DATUMS AND BASIC DIMENSIONS ESTABLISHED BY CUSTOMER.
13. FOR DESIGN OBJECTIVES SEE 108-2301.
14. THIS PRODUCT HAS NOT PASSED QUALIFICATION TESTING.

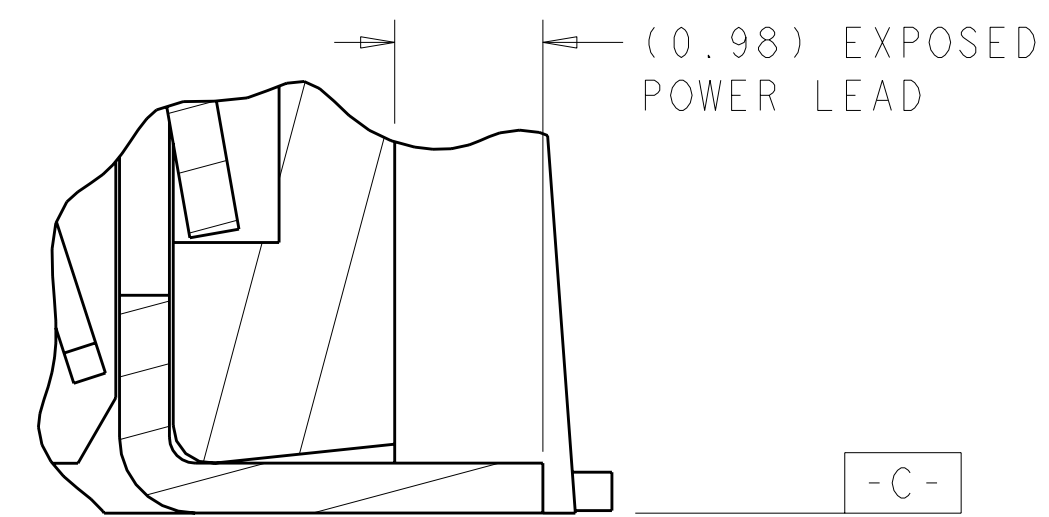
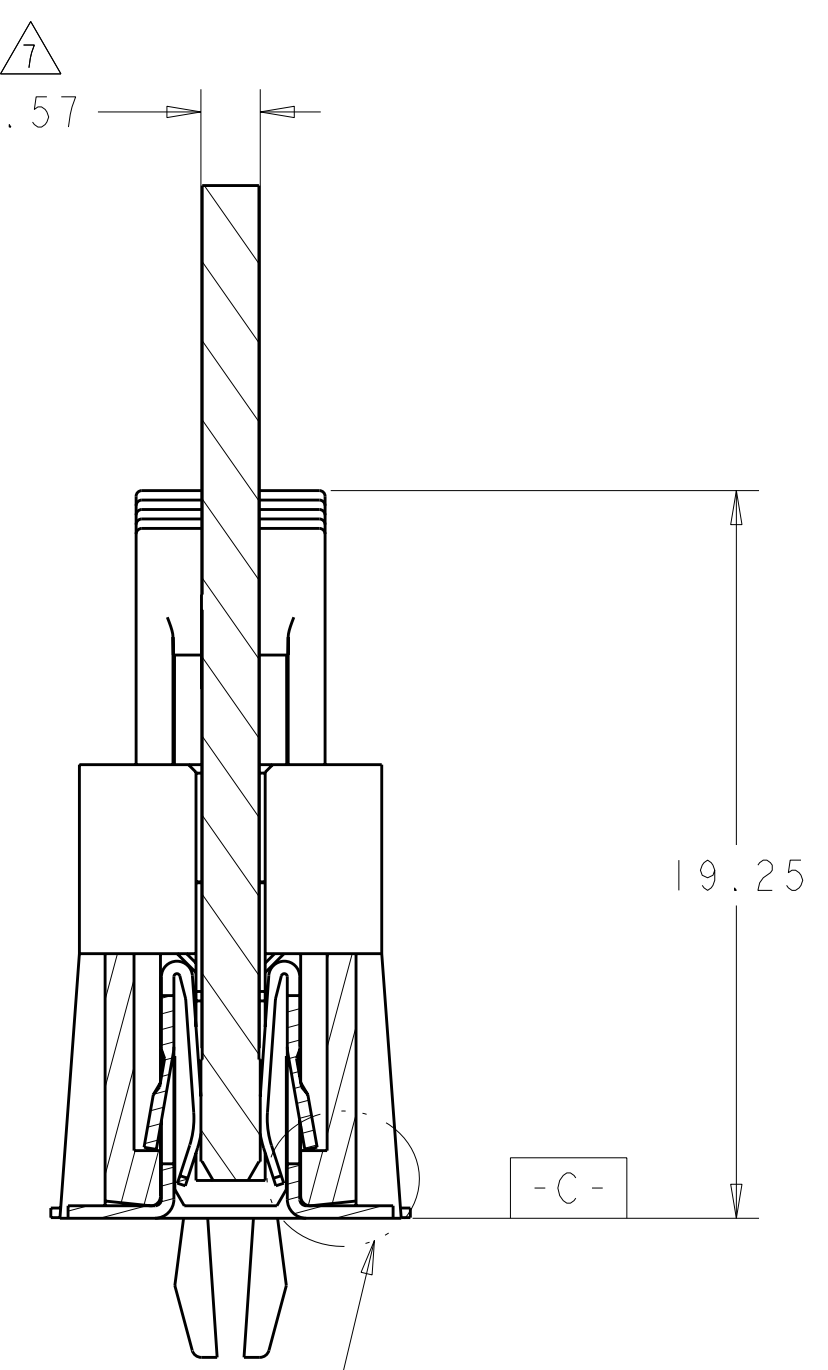
DIMENSIONS: mm 		TOLERANCES UNLESS OTHERWISE SPECIFIED: 9 PLC ±.5 1 PLC ±0.5 5 PLC ±0.25 4 PLC ±. ANGLES ±°		DWN W. VAN SCOOC 06JUN2006 CHK N. REESER 06JUN2006 APVD N. REESER 06JUN2006		Tyco Electronics Harrisburg, PA 17105-3608	
MATERIAL 		FINISH 		NAME SOCKET CONNECTOR WITH LATCH, SMT P2-S24-P12 MINI CROWN EDGE		SIZE CAGE CODE DRAWING NO A100779C=1766735	
CUSTOMER DRAWING				SCALE 4:1		SHEET 1 OF 4 REV G	

LOC	DIST	REVISIONS					
GP	00	P	LTR	DESCRIPTION	DATE	DWN	APVD
		-	-	SEE SHEET 1	-	-	-



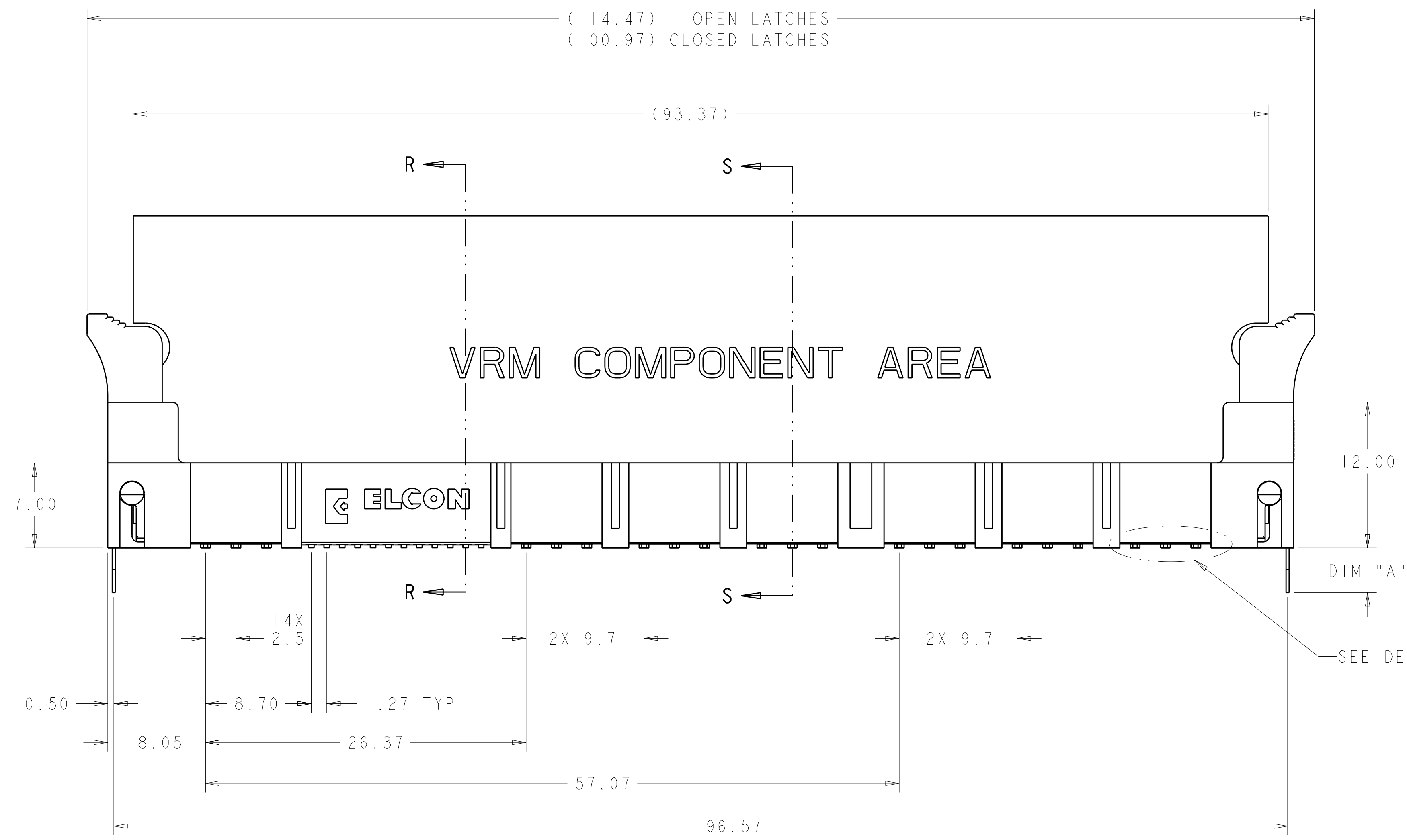
SECTION R-R
SCALE 5:1

DETAIL H
SCALE 20:1



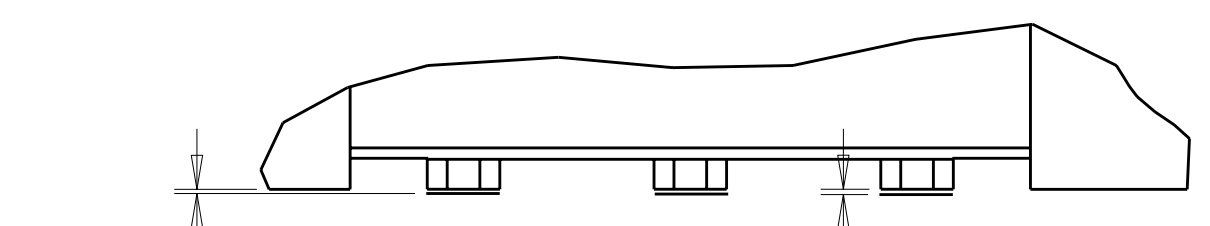
SECTION S-S
SCALE 5:1

DETAIL G
SCALE 20:1



VRM COMPONENT AREA

ELCON



DETAIL Z
SCALE 12:1

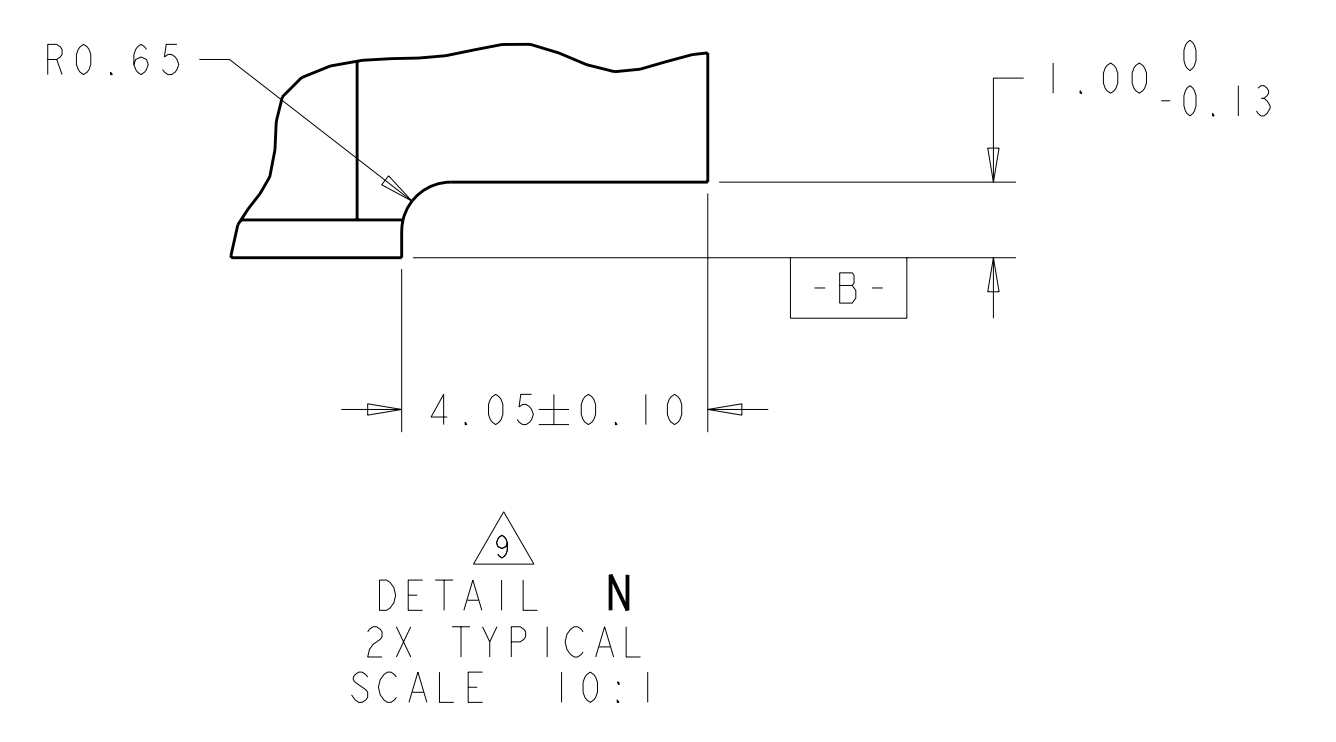
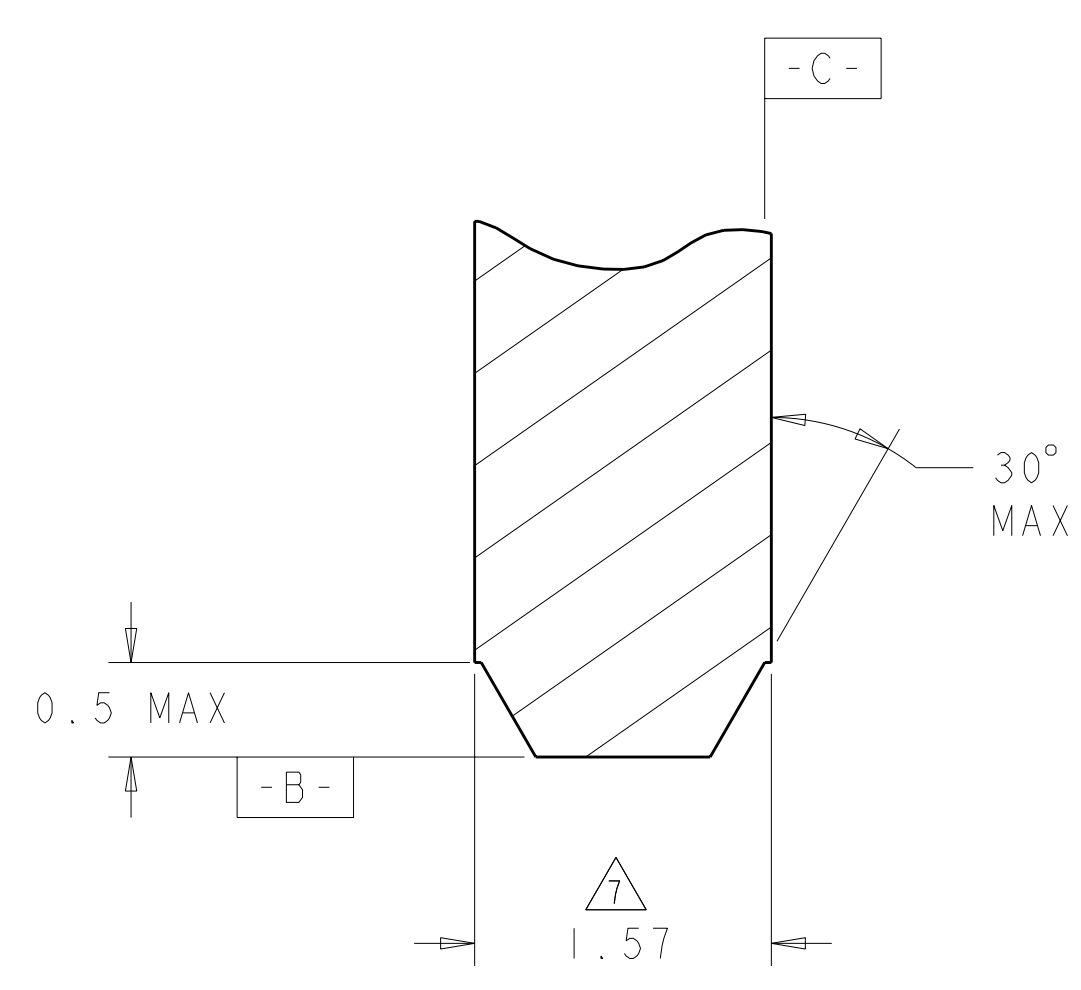
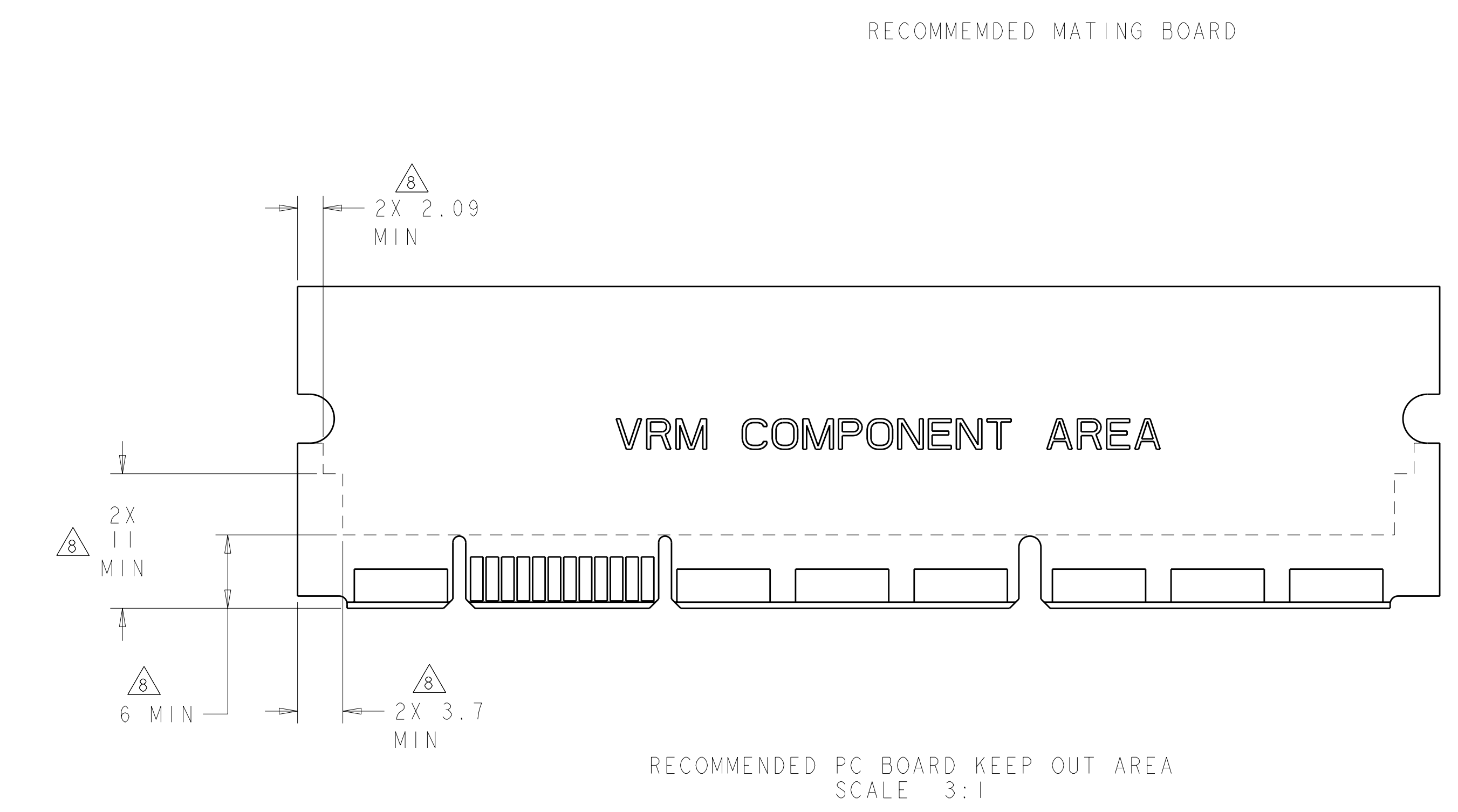
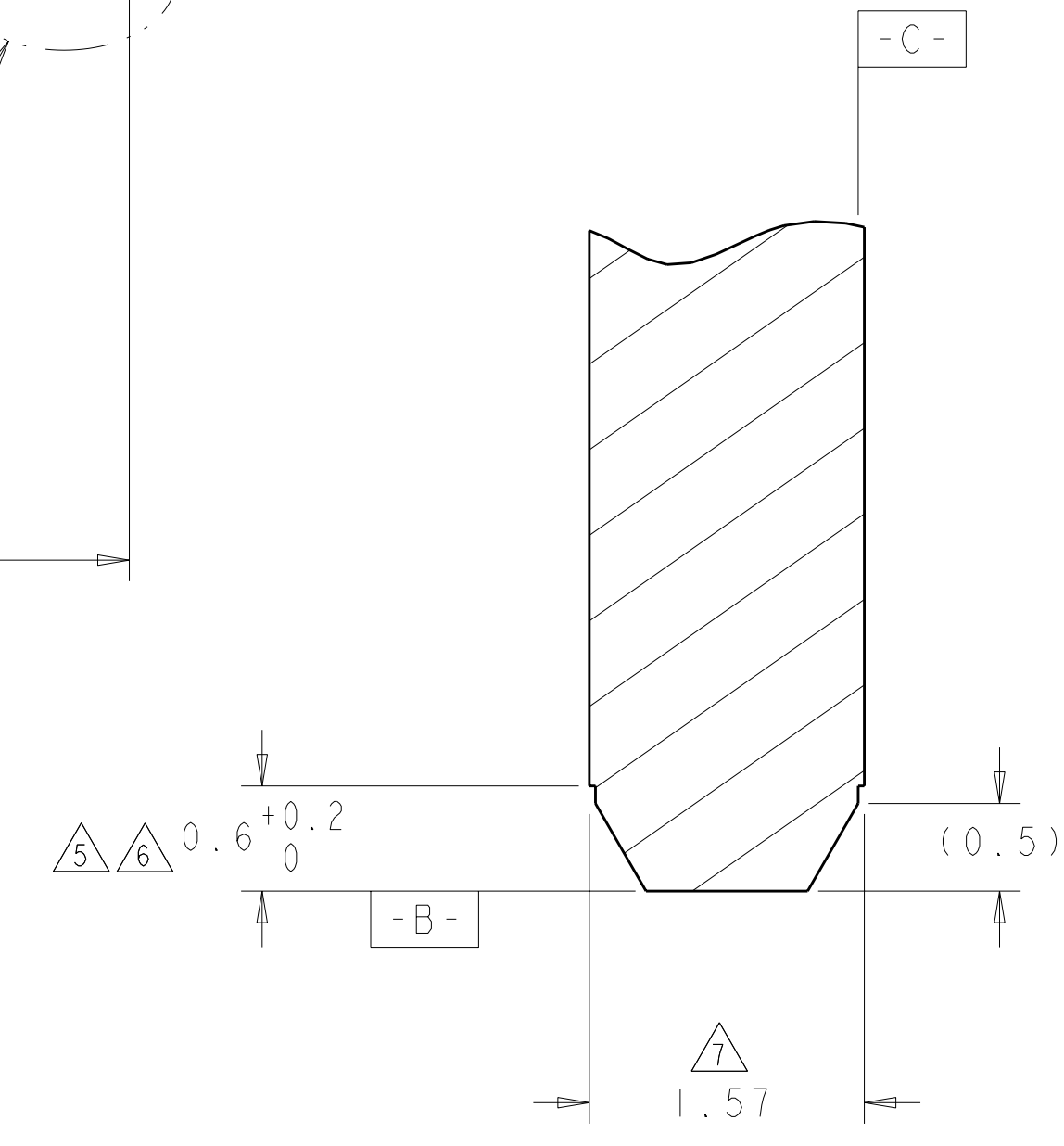
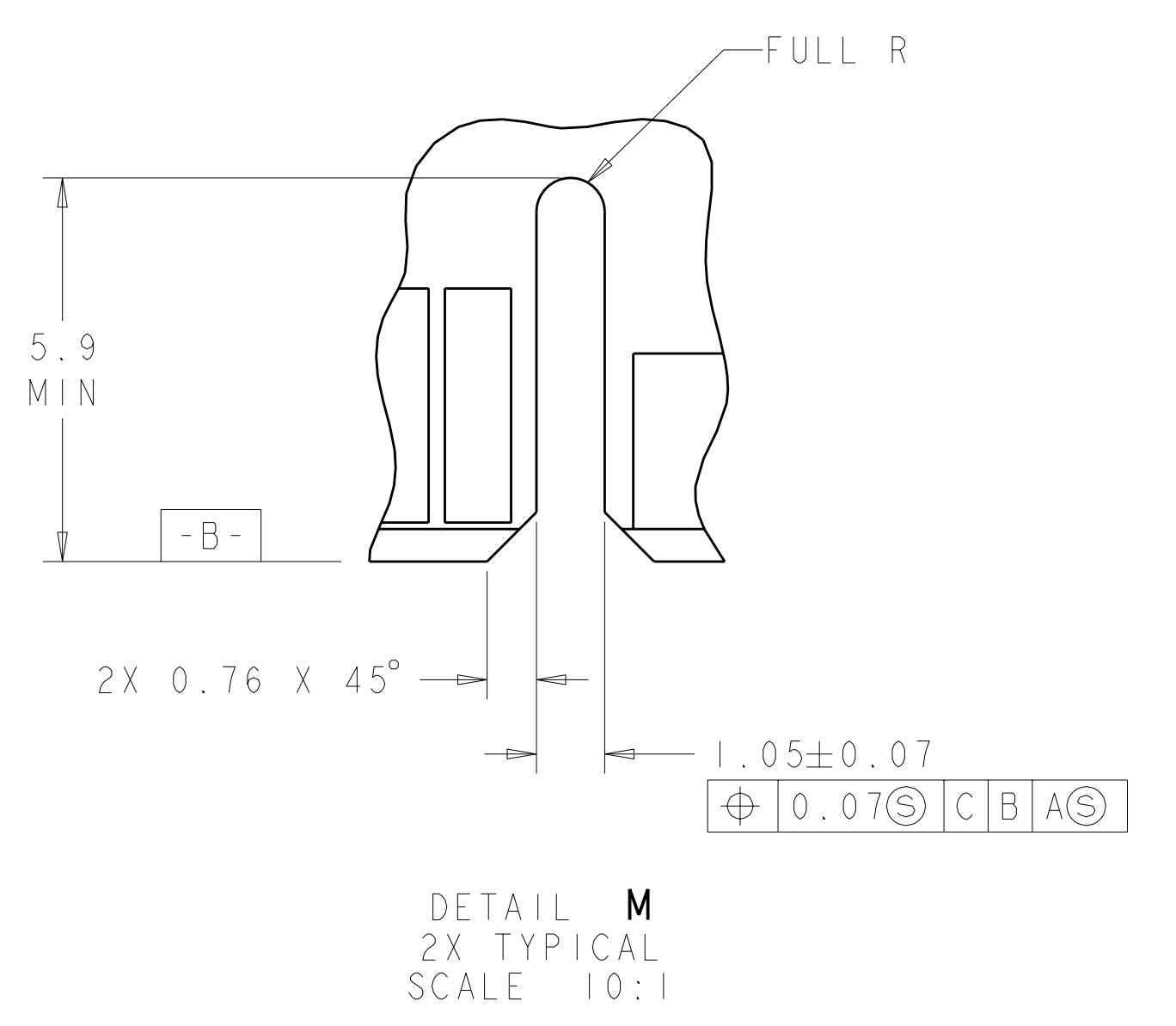
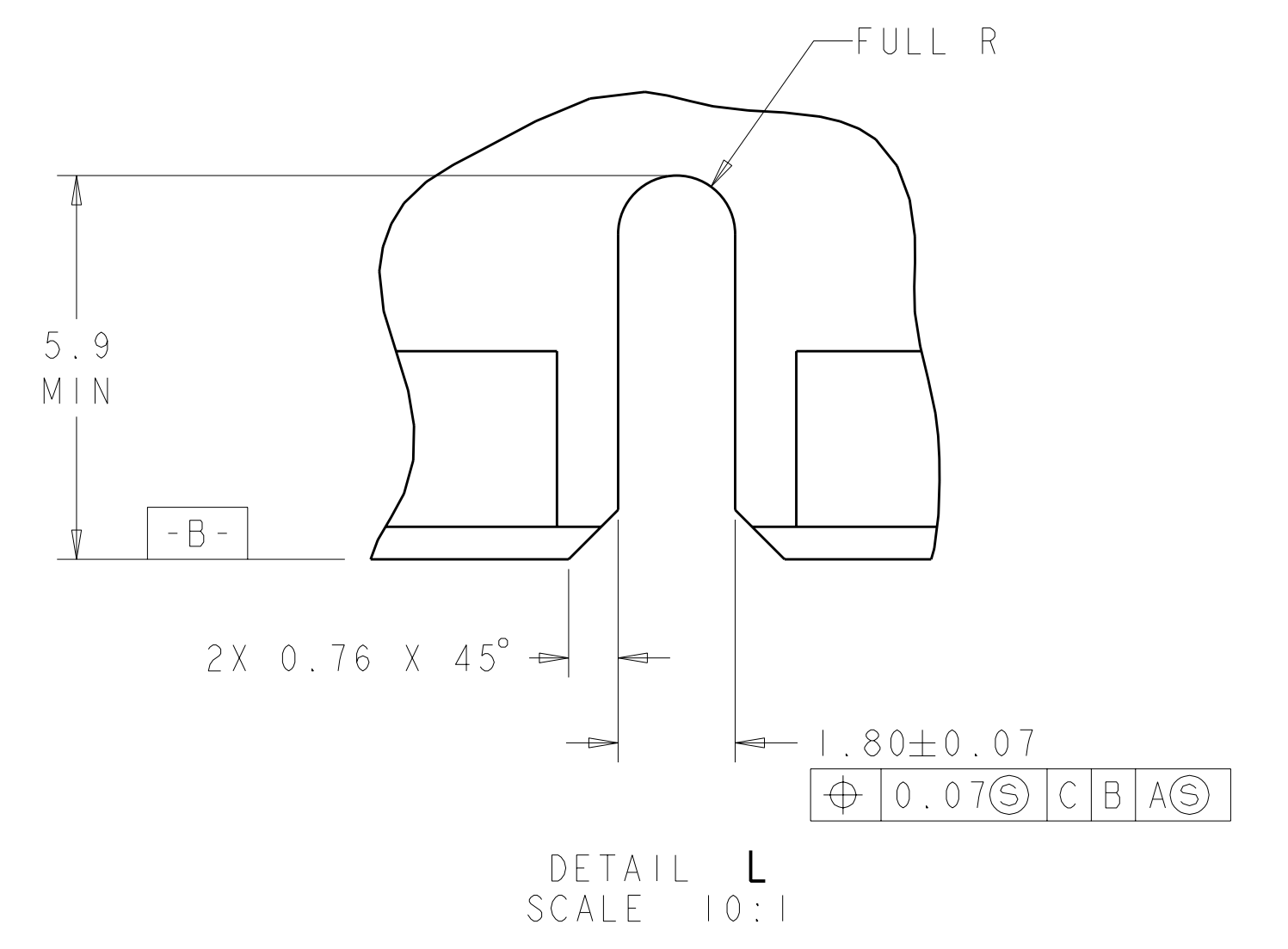
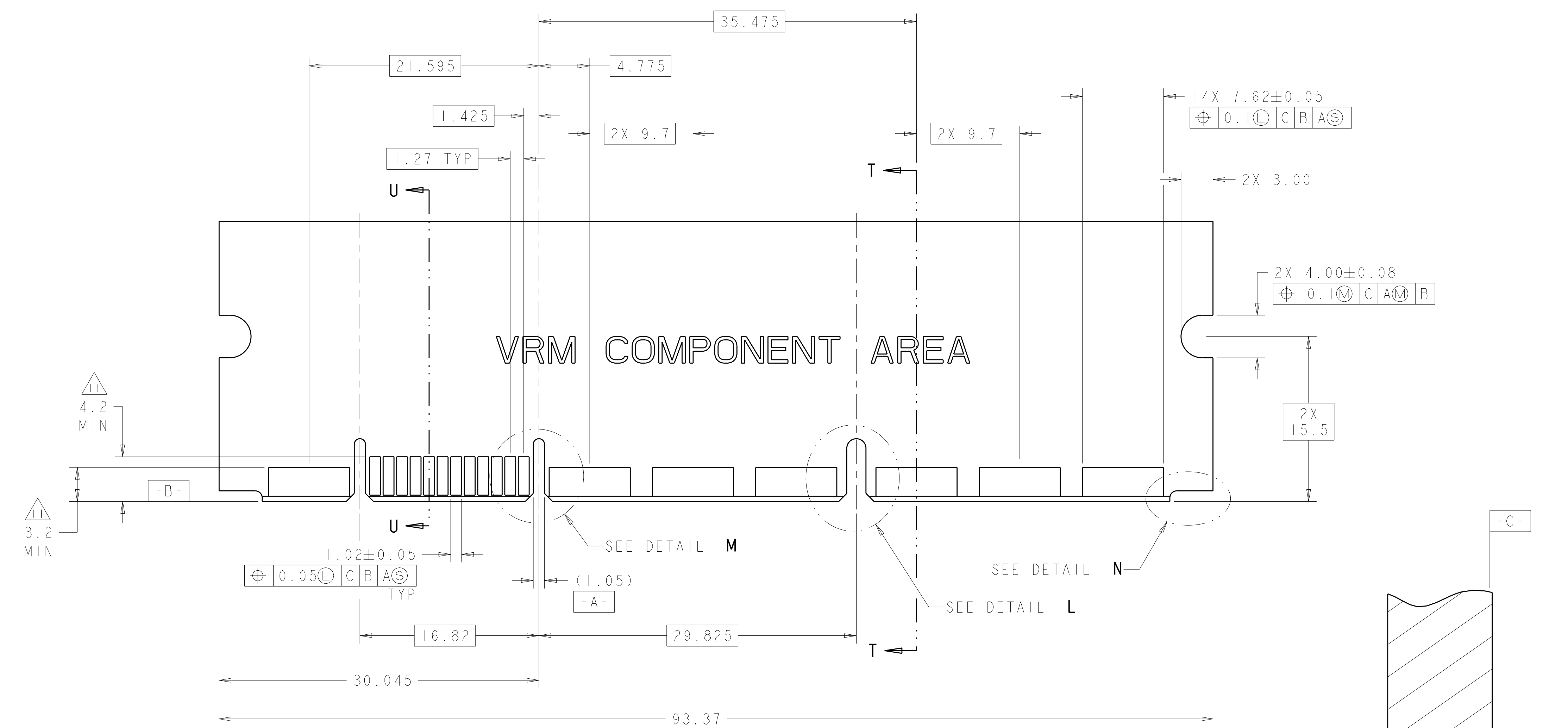
ALL SOLDER TINES

4.61	1766735-4
4.19	1766735-3
3.68	1766735-2
DIM "A"	PART NO

DIMENSIONS:		TOLERANCES UNLESS OTHERWISE SPECIFIED:		DWN		Tyco Electronics	
mm	9 PLC	±	0.5	W. VAN SCOOC	06JUN2006	Tyco Electronics Harrisburg, PA 17105-3608	
	1 PLC	±	0.25	CHK N. REESER	06JUN2006	NAME	
	3 PLC	±	0.25	APVD N. REESER	06JUN2006	SOCKET CONNECTOR WITH LATCH, SMT	
	4 PLC	±	0.25	PRODUCT SPEC		P2-S24-P12 MINI CROWN EDGE	
	ANGLES	±	0.25	APPLICATION SPEC		SIZE CAGE CODE DRAWING NO	
MATERIAL	FINISH	±	0.25	WEIGHT		RESTRICTED TO	
						A100779C=1766735	
CUSTOMER DRAWING				SCALE	4:1	SHEET	2 OF 4
				REV	G		

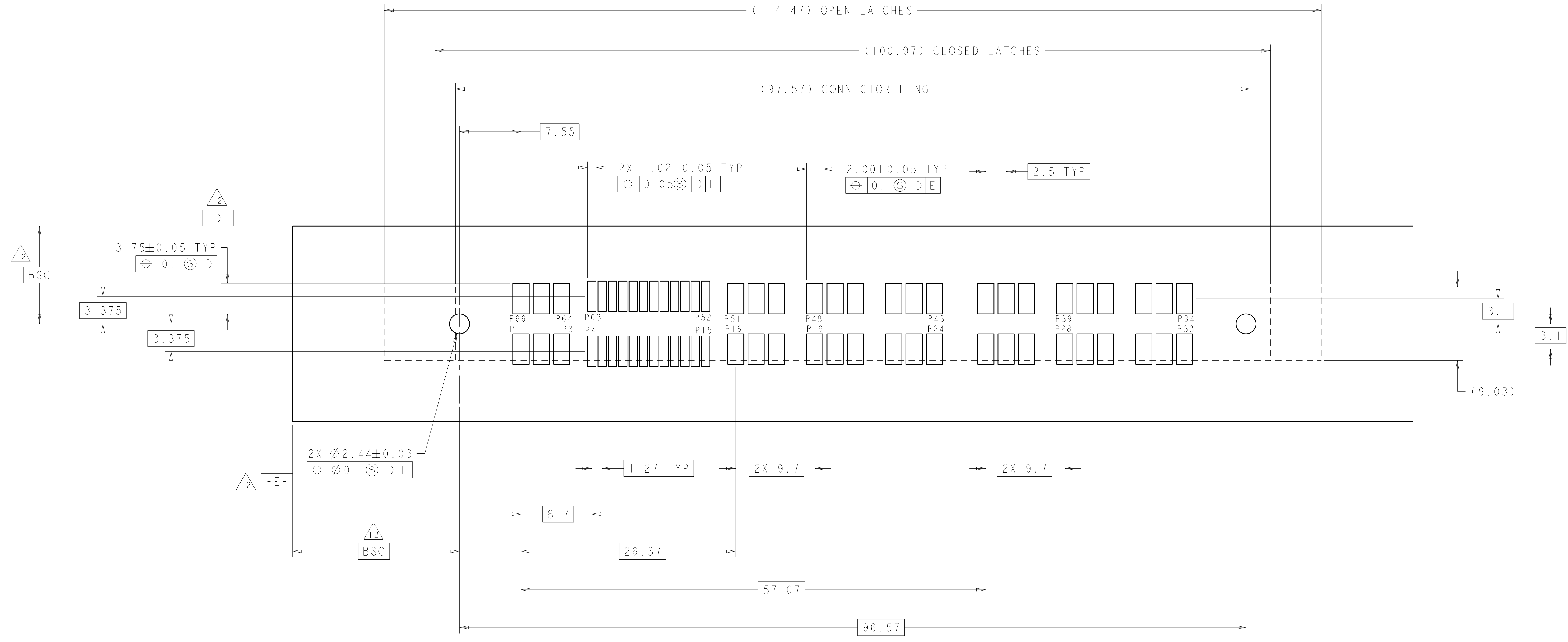
LOC	DIST	REV	DATE	BY	APPD
GP	00				

REVISIONS		DATE	BY	APPD
1	SEE SHEET 1			



DIMENSIONS: mm 		TOLERANCES UNLESS OTHERWISE SPECIFIED: 9 PLC ±.5 1 PLC ±0.5 2 PLC ±0.25 3 PLC ±.5 4 PLC ±.5 ANGLES ±°		DWN: W. VAN SCOOC 06JUN2006 CHK: N. REESER 06JUN2006 APVD: N. REESER 06JUN2006		Tyco Electronics Harrisburg, PA 17105-3608	
MATERIAL: FINISH		APPLICATION SPEC: WEIGHT: CUSTOMER DRAWING		NAME: SOCKET CONNECTOR WITH LATCH, SMT P2-S24-P12 MINI CROWN EDGE		SIZE: CAGE CODE: DRAWING NO: A100779C-1766735	
				RESTRICTED TO:		SCALE: 4:1 SHEET 3 OF 4 REV G	

LOC	DIST	REVISIONS			
P	LTB	DESCRIPTION	DATE	DWN	APVD
GP	00	SEE SHEET 1	-	-	-



RECOMMENDED SOLDER LAND GUIDELINE
 AS VIEWED FROM CONNECTOR SIDE

<small>THIS DRAWING IS UNPUBLISHED. RELEASED FOR PUBLICATION 20. © COPYRIGHT 20 BY TYCO ELECTRONICS CORPORATION, ALL RIGHTS RESERVED.</small>		DWN: W. VAN SCYOC 06 JUN 2006 CHK: N. REESER 06 JUN 2006 APVD: N. REESER 06 JUN 2006	Tyco Electronics Harrisburg, PA 17105-3608
DIMENSIONS: mm 	TOLERANCES UNLESS OTHERWISE SPECIFIED: 9 PLC ± 1 PLC ±0.5 2 PLC ±0.25 3 PLC ± 4 PLC ± ANGLES ±2°	NAME: SOCKET CONNECTOR WITH LATCH, SMT P2-S24-P12 MINI CROWN EDGE PRODUCT SPEC: APPLICATION SPEC: WEIGHT: CUSTOMER DRAWING	SIZE: A CAGE CODE: 100779 DRAWING NO: C-1766735 RESTRICTED TO: SCALE: 4:1 SHEET: 4 OF 4 REV: G