

TABLE 1 BILL OF MATERIAL

ITEM	QTY	DESCRIPTION	MATERIAL	FINISH
1	7	LABEL	ABS	WHITE
2	1	CABLE PLATE	PBT	YELLOW
3	1	CABLE	SEE ENG. NO. MATRIX	SEE ENG. NO. MATRIX
4	24	CONTACT	BRASS	GOLD OVER NICKEL
5	6	O-RING	FPM	RED
6	6	SHELL	BRASS	NICKEL PLATET
7	7	LED	NON LED = PBT/ WITH LED = PA	NON LED YELLOW/ WITH LED TRANSPARENT
8	2	PROTECTING CAP	PP	BLACK
9	1	HOUSING	PBT	YELLOW

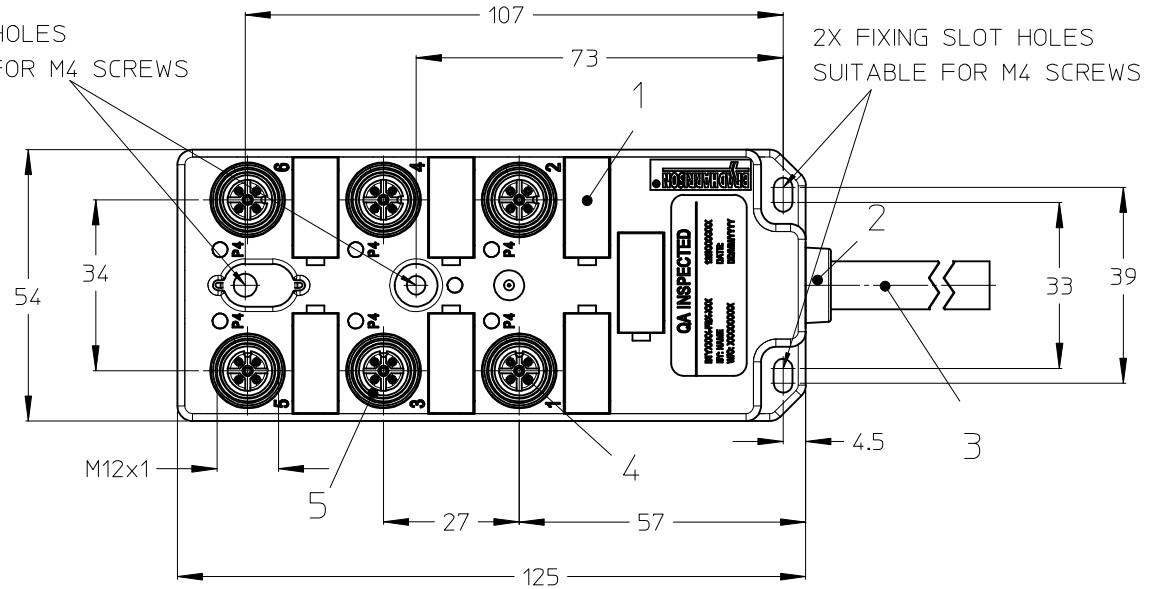
GENERAL CHARACTERISTICS

NOMINAL VOLTAGE: 10-30 V DC
 POLLUTION DEGREE: 3
 RATED CURRENT: 4 A PER PORT / 12 A MAX: TOTAL
 CONTACT RESISTANCE: ≤ 5 mOHM
 ISULATION RESISTANCE: > 10⁹ OHM
 IP DEGREE OF PROTECTION: IP 67
 IP 68 REFER TO TEST SUMMARY TS-120005-016

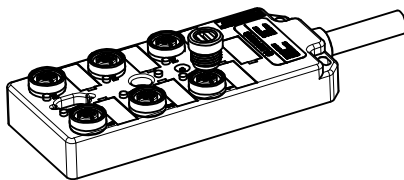
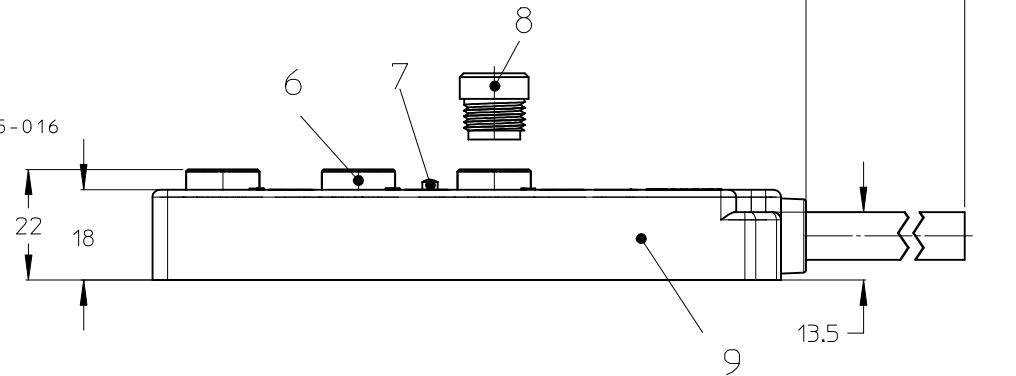
TEMPERATURE RANGE: -25°C to + 85°C
 (BOX ONLY)

FLAMMABILITY:
 Insert: V0
 HOUSING: V0
 POTTING MATERIAL: V0

2X FIXING HOLES
 SUITABLE FOR M4 SCREWS

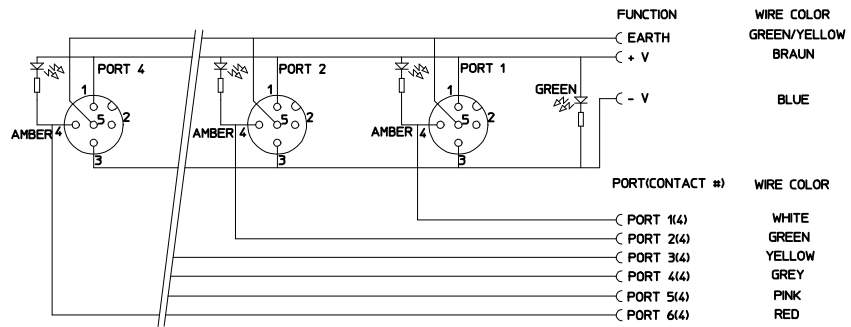


SEE TABLE 1+3

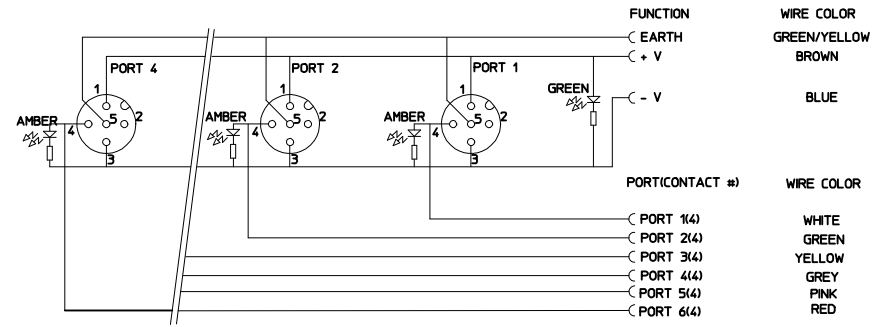


ENTER DESCRIPTION EC NO: IPG2014-0267 DRINKULETTE/METER 2013/09/24 CHYKARSILLER 2013/09/25 APPR: CBURGER 2013/10/07	QUALITY SYMBOLS	GENERAL TOLERANCES (UNLESS SPECIFIED)		DIMENSION STYLE MM ONLY		SCALE 1:1	DESIGN UNITS METRIC	THIRD ANGLE PROJECTION	
	▼=0 ◻=0	4 PLACES ± --- ± --- 3 PLACES ± --- ± --- 2 PLACES ± 0.1 ± --- 1 PLACE ± 0.2 ± --- 0 PLACE ± --- ± ---	mm INCH ± --- ± --- ± --- ± --- ± 0.1 ± --- ± 0.2 ± --- ± --- ± ---	DRAWN BY LSG CHECKED BY ZISMAYILOV APPROVED BY CBURGER	DATE 2011/08/18 DATE 2011/12/14 DATE 2011/12/20	TITLE MPIS M12 PNP NPN NOS 4P 6PT AC FE STR XM			
	ANGULAR ± 2 ° DRAFT WHERE APPLICABLE MUST REMAIN WITHIN DIMENSIONS	SEE TABLE 2		MATERIAL NO.		DOCUMENT NO.		SHEET NO.	
	A3	SIZE A3		THIS DRAWING CONTAINS INFORMATION THAT IS PROPRIETARY TO MOLEX INCORPORATED AND SHOULD NOT BE USED WITHOUT WRITTEN PERMISSION		SD-120005-013		1 OF 3	

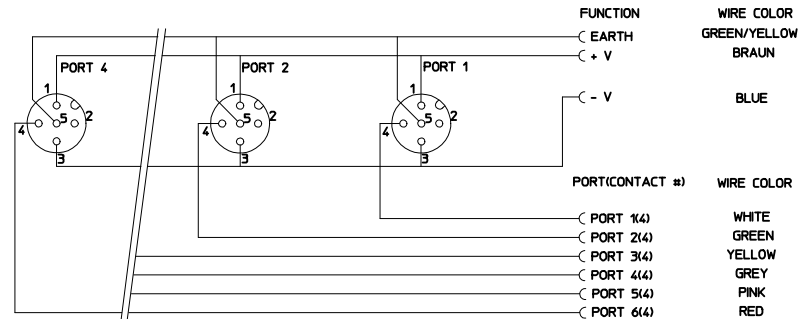
WIRING DIAGRAM SINGLE PORT NPN



WIRING DIAGRAM SINGLE PORT PNP



WIRING DIAGRAM SINGLE PORT NON LED



ENTER DESCRIPTION EC NO: IPG2014-0267 DRW:ULETTEWMEIER 2013/09/24 CHKD:RSILLER 2013/09/25 APPR:CBURGER 2013/10/07	QUALITY SYMBOLS ▽=0 ◻=0	GENERAL TOLERANCES (UNLESS SPECIFIED)		DIMENSION STYLE MM ONLY	SCALE 1:1	DESIGN UNITS METRIC	THIRD ANGLE PROJECTION		
			mm	INCH	DRAWN BY LSG	DATE 2011/08/18	TITLE MPIS M12 PNP NPN NOS 4P 6PT AC FE STR XM		
		4 PLACES ± --- ± ---	3 PLACES ± --- ± ---	2 PLACES ± 0.1 ± ---	1 PLACE ± 0.2 ± ---	CHECKED BY ZISMAYILOV	DATE 2011/12/14	molex	
		0 PLACE ± --- ± ---	ANGULAR ± 2 °		APPROVED BY CBURGER	DATE 2011/12/20	MATERIAL NO. SEE TABLE 2		
DRAFT WHERE APPLICABLE MUST REMAIN WITHIN DIMENSIONS		SIZE A3		THIS DRAWING CONTAINS INFORMATION THAT IS PROPRIETARY TO MOLEX INCORPORATED AND SHOULD NOT BE USED WITHOUT WRITTEN PERMISSION					

TABLE 2

MOLEX P/N	ENG. NR.	LED
1200550589	BTY6000-FBP-05	NO
1200550590	BTY6000-FBP-10	NO
1200550882	BTY6000-FBP-15	NO
1200051012	BTY600N-FBN-05	YES
1200051013	BTY600N-FBN-10	YES
1200051014	BTY600N-FBN-15	YES
1200050019	BTY600N-FBP-003	YES
1201148014	BTY600N-FBP-05	YES
1201148015	BTY600N-FBP-10	YES
1201148016	BTY600N-FBP-15	YES
1200550570	BTY600P-FBI-10	YES
1200051003	BTY600P-FBN-05	YES
1200051004	BTY600P-FBN-10	YES
1200051005	BTY600P-FBN-15	YES
1200050013	BTY600P-FBP-003	YES

TABLE 2

MOLEX P/N	ENG. NR.	LED
1201148017	BTY600P-FBP-05	YES
1200550884	BTY600P-FBP-05-1	YES
1201148018	BTY600P-FBP-10	YES
1201140054	BTY600P-FBP-15	YES
1201148019	BTY600P-FBP-20	YES

ENG. NO. MATRIX:

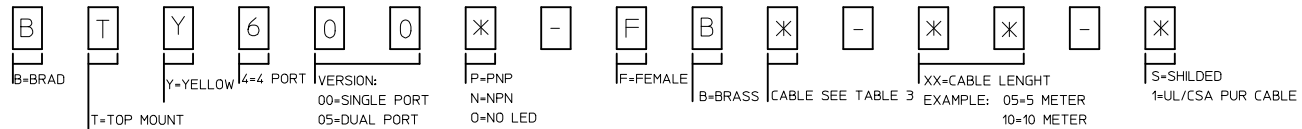


TABLE 3

CABLE	TEM. RANGE STATISCH	TEM. RANGE FLEXIBLE	CABLE DIAMETER (MM) SIGLE (4POLE) 4/6/8 PORT	CABLE DIAMETER (MM) DUAL (5POLE) 4/6/8 PORT	DRAG CHAIN	UL STYLE
P=PUR/PVC/Black	-30°C TO +90°C	-5°C TO +90°C	8.4 ±0.2 / 9.5±0.2 / 9.5 ±0.2	9.5 ±0.2 / 9.8 ±0.2 / 11.4 ±0.2	1.5 MIO. CYCLES	-
P=PUR/PVC/Black/UL/CSA	-25°C TO +90°C	-	7.5 ± 0.2	8.6 ± 0.2	-	-
N=PVC/GREY	-	-10°C TO +80°C	8.4 ± 0.2	9.5 ± 0.2	10 MIO. CYCLES	2464
I=CEI/GREY	-5°C TO +70°C	-	8.4 ± 0.2	9.5 ± 0.2	-	-
E=PVC/YELLOW	-5°C TO +70°C	-	8.4 ± 0.2	9.5 ± 0.2	-	-

ENTER DESCRIPTION EC NO: IPG2014-0267 DRW: JULETTE M ER 2013/09/24 CHKD: R SILLER 2013/09/25 APPR: C BURGER 2013/10/07 A3	REV	DESCRIPTION ▼=0 ▽=0	QUALITY SYMBOLS	GENERAL TOLERANCES (UNLESS SPECIFIED)	DIMENSION STYLE MM ONLY	SCALE 1:1	DESIGN UNITS METRIC	THIRD ANGLE PROJECTION
				ANGULAR ± 2 ° DRAFT WHERE APPLICABLE MUST REMAIN WITHIN DIMENSIONS	DRAWN BY LSG DATE 2011/08/18 CHECKED BY ZISMAYILOV DATE 2011/12/14 APPROVED BY CBURGER DATE 2011/12/20	TITLE MPIS M12 PNP NPN NOS 4P 6PT AC FE STR XM	MATERIAL NO. SEE TABLE 2	DOCUMENT NO. SD-120005-013

molex

THIS DRAWING CONTAINS INFORMATION THAT IS PROPRIETARY TO MOLEX INCORPORATED AND SHOULD NOT BE USED WITHOUT WRITTEN PERMISSION