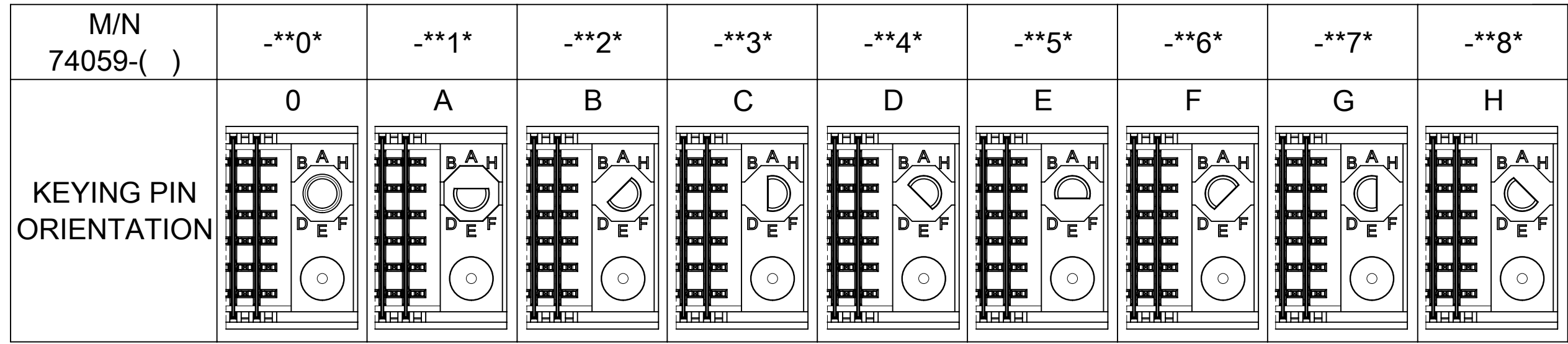


- NOTES:**
- MATERIALS:**  
HOUSING - LIQUID CRYSTAL POLYMER (LCP),  
GLASS-FILLED, UL 94V-0, COLOR: BLACK  
SIGNAL PIN & SHIELD - COPPER ALLOY
  - FINISHES:**  
CONTACT AREA: SELECTIVE GOLD (Au)  
PCB TAILS: SELECTIVE MATTE TIN (Sn)  
NICKEL (Ni) OVERALL.
  - THIS PART CONFORMS TO MOLEX PRODUCT SPECIFICATION PS-74031-999
  - FOR MIXED CONTACT LENGTHS CONSULT MOLEX FOR AVAILABILITY
  - FOR SPECIFIC MATERIAL NUMBERS & MATING INFORMATION REFER TO SHEET 2 AND 3
  - PACKAGE PER PK-74058-003
  - MARK PART WITH PART NUMBER & DATE CODE APPROXIMATELY WHERE SHOWN
  - MAPS (MOLEX ADVANCED PLATING SYSTEM).

THE PRIMARY CARTON WITH A LABEL STATING "ELV AND RoHS COMPLAINT" IS LEAD FREE. CARTONS WITHOUT THIS LABEL MAY CONTAIN LEAD.

|   |    |         |   |   |  |                     |  |                 |  |
|---|----|---------|---|---|--|---------------------|--|-----------------|--|
| THIS DRAWING CONTAINS INFORMATION THAT IS PROPRIETARY TO MOLEX ELECTRONIC TECHNOLOGIES, LLC AND SHOULD NOT BE USED WITHOUT WRITTEN PERMISSION |    |         |   |   |  |                     |  |                 |  |
| DIMENSION UNITS   |    | SCALE   |   | CURRENT REV DESC: SEE REVISION TABLE  |  |                     |  |                 |  |
| mm  |    | 2.5:1   |   | <p>EC NO: 713684<br/>DRWN: MKP 2022/06/15<br/>CHK'D: WZHAO21 2022/07/20<br/>APPR: WZHAO21 2022/07/20</p> <p>INITIAL REVISION:<br/>DRWN: JMELTON 2010/05/20<br/>APPR: SMILLER 2010/07/14</p> |  |                     |  |                 |  |
| GENERAL TOLERANCES (UNLESS SPECIFIED)   |    |         |   |   |  |                     |  |                 |  |
|   | MM | INCH    |   |   |  |                     |  |                 |  |
| 4 PLACES  | ±  |         | ± |   |  |                     |  |                 |  |
| 3 PLACES  | ±  |         | ± |   |  |                     |  |                 |  |
| 2 PLACES  | ±  | 0.1     | ± |   |  |                     |  |                 |  |
| 1 PLACE   | ±  | 0.25    | ± |   |  |                     |  |                 |  |
| 0 PLACES  | ±  |         | ± |   |  |                     |  |                 |  |
| ANGULAR TOL   |    | ± 0.5 ° |   | THIRD ANGLE PROJECTION  |  | DRAWING             |  | SERIES          |  |
| DRAFT WHERE APPLICABLE MUST REMAIN WITHIN DIMENSIONS  |    |         |   | C-SIZE  |  | 74059               |  | MATERIAL NUMBER |  |
|   |    |         |   |   |  |                     |  | SD-74059-002    |  |
| DOCUMENT STATUS   |    | P1      |   | RELEASE DATE  |  | 2022/07/20 09:16:47 |  | CUSTOMER        |  |
|   |    |         |   |   |  |                     |  | GENERAL MARKET  |  |
|   |    |         |   |   |  |                     |  | SHEET NUMBER    |  |
|   |    |         |   |   |  |                     |  | 1 OF 3          |  |



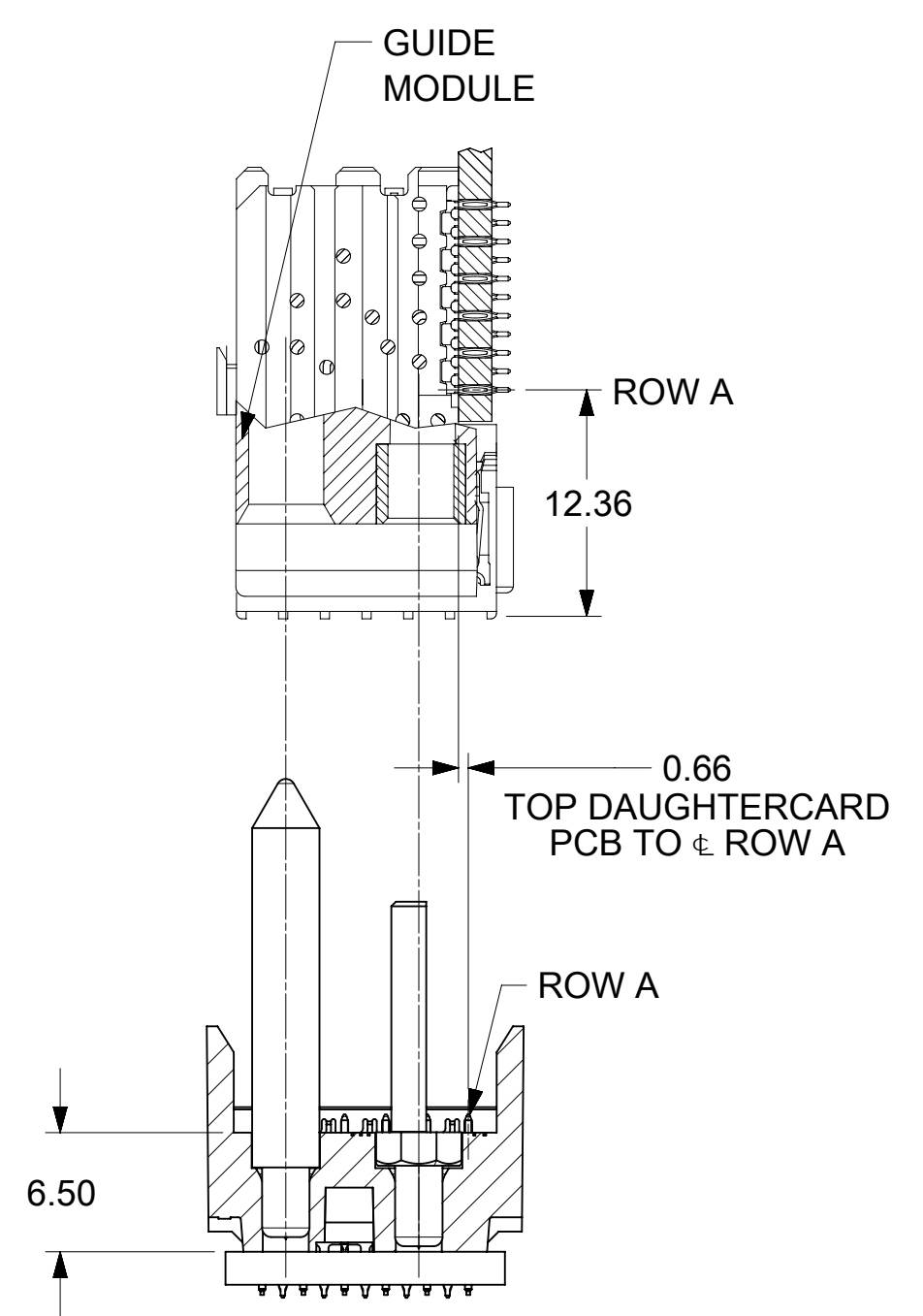
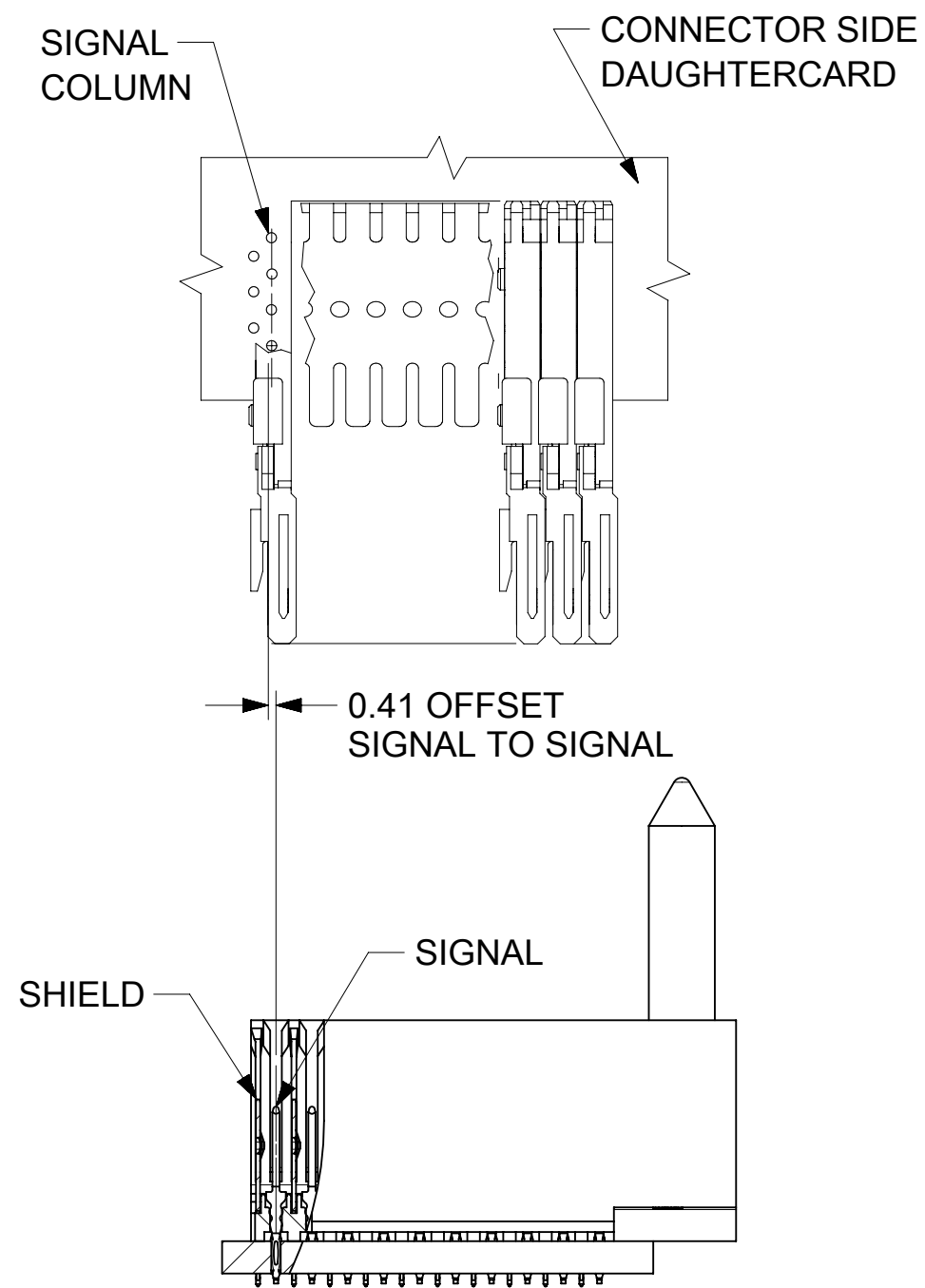
# 74059-\*\*\*\*

NUMBER OF COLUMNS/PLATING  
 10 = 10 COLUMN MATTE TIN (FORMERLY TIN/LEAD)  
 21 = 11 COLUMN MATTE TIN (FORMERLY TIN/LEAD)  
 25 = 25 COLUMN MATTE TIN (FORMERLY TIN/LEAD)  
 60 = 10 COLUMN MATTE TIN (MAPS)  
 71 = 11 COLUMN MATTE TIN (MAPS)  
 75 = 25 COLUMN MATTE TIN (MAPS)  
 90 = 10 COLUMN MATTE TIN  
 81 = 11 COLUMN MATTE TIN  
 85 = 25 COLUMN MATTE TIN

CONTACT LOAD (PIN HEIGHT)  
 1 & 6 = 4.75  
 2 & 7 = 6.25  
 3 & 8 = 4.25  
 4 & 9 = 5.15

| PART NUMBER | COLUMN | NUMBER OF SIGNAL PIN | NUMBER OF SHIELD | A     | B     | M         | GOLD THICKNESS MICROMETER | TIN THICKNESS MICROMETER |
|-------------|--------|----------------------|------------------|-------|-------|-----------|---------------------------|--------------------------|
| 74059-60*1  | 10     | 60                   | 10               | 27.00 | 18.00 | 4.75      | 0.25 MAPS                 | 0.76-1.52                |
| 74059-*0*1  |        |                      |                  |       |       |           | 0.76                      |                          |
| 74059-*0*6  |        |                      |                  |       |       |           | 1.27                      |                          |
| 74059-75*1  | 25     | 150                  | 25               | 57.00 | 48.00 | 0.25 MAPS |                           |                          |
| 74059-*5*1  |        |                      |                  |       |       | 0.76      |                           |                          |
| 74059-*5*6  |        |                      |                  |       |       | 1.27      |                           |                          |
| 74059-60*2  | 10     | 60                   | 10               | 27.00 | 18.00 | 0.25 MAPS |                           |                          |
| 74059-*0*2  |        |                      |                  |       |       | 0.76      |                           |                          |
| 74059-*0*7  |        |                      |                  |       |       | 1.27      |                           |                          |
| 74059-75*2  | 25     | 150                  | 25               | 57.00 | 48.00 | 0.25 MAPS |                           |                          |
| 74059-*5*2  |        |                      |                  |       |       | 0.76      |                           |                          |
| 74059-*5*7  |        |                      |                  |       |       | 1.27      |                           |                          |
| 74059-60*3  | 10     | 60                   | 10               | 27.00 | 18.00 | 0.25 MAPS |                           |                          |
| 74059-*0*3  |        |                      |                  |       |       | 0.76      |                           |                          |
| 74059-*0*8  |        |                      |                  |       |       | 1.27      |                           |                          |
| 74059-75*3  | 25     | 150                  | 25               | 57.00 | 48.00 | 0.25 MAPS |                           |                          |
| 74059-*5*3  |        |                      |                  |       |       | 0.76      |                           |                          |
| 74059-*5*8  |        |                      |                  |       |       | 1.27      |                           |                          |
| 74059-60*4  | 10     | 60                   | 10               | 27.00 | 18.00 | 0.25 MAPS |                           |                          |
| 74059-*0*4  |        |                      |                  |       |       | 0.76      |                           |                          |
| 74059-*0*9  |        |                      |                  |       |       | 1.27      |                           |                          |
| 74059-75*4  | 25     | 150                  | 25               | 57.00 | 48.00 | 0.25 MAPS |                           |                          |
| 74059-*5*4  |        |                      |                  |       |       | 0.76      |                           |                          |
| 74059-*5*9  |        |                      |                  |       |       | 1.27      |                           |                          |

| PART NUMBER | COLUMN | NUMBER OF SIGNAL PIN | NUMBER OF SHIELD | A     | B     | M    | GOLD THICKNESS MICROMETER | TIN THICKNESS MICROMETER |
|-------------|--------|----------------------|------------------|-------|-------|------|---------------------------|--------------------------|
| 74059-71*1  | 11     | 66                   | 11               | 29.00 | 20.00 | 4.75 | 0.25 MAPS                 | 0.76-1.52                |
| 74059-*1*1  |        |                      |                  |       |       |      | 0.76                      |                          |
| 74059-*1*6  |        |                      |                  |       |       |      | 1.27                      |                          |
| 74059-71*2  | 11     | 66                   | 11               | 29.00 | 20.00 | 6.25 | 0.25 MAPS                 |                          |
| 74059-*1*2  |        |                      |                  |       |       |      | 0.76                      |                          |
| 74059-*1*7  |        |                      |                  |       |       |      | 1.27                      |                          |
| 74059-71*3  | 11     | 66                   | 11               | 29.00 | 20.00 | 4.25 | 0.25 MAPS                 |                          |
| 74059-*1*3  |        |                      |                  |       |       |      | 0.76                      |                          |
| 74059-*1*8  |        |                      |                  |       |       |      | 1.27                      |                          |
| 74059-71*4  | 11     | 66                   | 11               | 29.00 | 20.00 | 5.15 | 0.25 MAPS                 |                          |
| 74059-*1*4  |        |                      |                  |       |       |      | 0.76                      |                          |
| 74059-*1*9  |        |                      |                  |       |       |      | 1.27                      |                          |



SECTION Z-Z ROTATED 90°

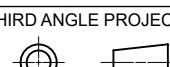
THIS DRAWING CONTAINS INFORMATION THAT IS PROPRIETARY TO MOLEX ELECTRONIC TECHNOLOGIES, LLC AND SHOULD NOT BE USED WITHOUT WRITTEN PERMISSION

|  |        |                                      |                |
|--|--------|--------------------------------------|----------------|
| DIMENSION UNITS                                      | SCALE  | CURRENT REV DESC: SEE REVISION TABLE |                |
| mm   | 2.5:1  |                                      |                |
| GENERAL TOLERANCES (UNLESS SPECIFIED)                |        |                                      |                |
|  | MM     | INCH                                 |                |
| 4 PLACES   | ±      | ±                                    |                |
| 3 PLACES   | ±      | ±                                    |                |
| 2 PLACES   | ± 0.1  | ±                                    |                |
| 1 PLACE  | ± 0.25 | ±                                    |                |
| 0 PLACES   | ±      | ±                                    |                |
| ANGULAR TOL  | ± 0.5° |                                      |                |
| DRAFT WHERE APPLICABLE MUST REMAIN WITHIN DIMENSIONS |        | THIRD ANGLE PROJECTION               | DRAWING SERIES |
|  |        |                                      | C-SIZE 74059   |

|                   |                |              |          |
|-------------------|----------------|--------------|----------|
| EC NO: 713684     |                | 2022/06/15   |          |
| DRWN: MKP         |                | 2022/07/20   |          |
| CHK'D: WZHAO21    |                | 2022/07/20   |          |
| APPR: WZHAO21     |                | 2022/07/20   |          |
| INITIAL REVISION: |                |              |          |
| DRWN: JMELTON     |                | 2010/05/20   |          |
| APPR: SMILLER     |                | 2010/07/14   |          |
| DOCUMENT NUMBER   | DOC TYPE       | DOC PART     | REVISION |
| SD-74059-002      | PSD            | 001          | P        |
| MATERIAL NUMBER   | CUSTOMER       | SHEET NUMBER |          |
| SEE TABLE         | GENERAL MARKET | 2 OF 3       |          |

H  
G  
F  
E  
D  
C  
B  
A

| DATE       | REV | DESCRIPTION                                   |
|------------|-----|---|
| 2022/06/24 | P   | DRAWING MIGRATION<br>DRAWING HAS BEEN UPDATED |
|            |     |   |
|            |     |   |

|   |  |   |   |   |  |        |  |  |  |
|---|--|---|---|---|--|--------|--|--|--|
| THIS DRAWING CONTAINS INFORMATION THAT IS PROPRIETARY TO MOLEX ELECTRONIC TECHNOLOGIES, LLC AND SHOULD NOT BE USED WITHOUT WRITTEN PERMISSION |  |   |   |   |  |        |  |  |  |
| DIMENSION UNITS   |  | SCALE   |   | CURRENT REV DESC: SEE REVISION TABLE  |  |        |  | <b>molex</b>                                     |  |
| mm  |  | 1:1   |   |   |  |        |  |  |  |
| GENERAL TOLERANCES (UNLESS SPECIFIED)   |  |   |   | EC NO: 713684<br>DRWN: MKP 2022/06/15<br>CHK'D: WZHAO21 2022/07/20<br>APPR: WZHAO21 2022/07/20<br>INITIAL REVISION:<br>DRWN: JMELTON 2010/05/20<br>APPR: SMILLER 2010/07/14 |  |        |  | VHDM 6 ROW<br>SHIELD END BACKPLANE SALES DRAWING |  |
| 4 PLACES  |  | ±   | ± |   |  |        |  | PRODUCT CUSTOMER DRAWING                         |  |
| 3 PLACES  |  | ±   | ± |   |  |        |  | DOCUMENT NUMBER                                  |  |
| 2 PLACES  |  | ± 0.1   | ± |   |  |        |  | SD-74059-002                                     |  |
| 1 PLACE   |  | ± 0.25  | ± |   |  |        |  | DOC TYPE   |  |
| 0 PLACES  |  | ±   | ± |   |  |        |  | PSD  |  |
| ANGULAR TOL   |  | ± 0.5 °   | ± | DOC PART  |  |        |  |  |  |
| DRAFT WHERE APPLICABLE<br>MUST REMAIN<br>WITHIN DIMENSIONS  |  | THIRD ANGLE PROJECTION  |   | DRAWING   |  | SERIES |  | SHEET NUMBER                                     |  |
|   |  |  |   | C-SIZE  |  | 74059  |  | 3 OF 3   |  |
| MATERIAL NUMBER   |  | CUSTOMER  |   |   |  |        |  |  |  |
| SEE SHEET 2   |  | GENERAL MARKET  |   |   |  |        |  |  |  |