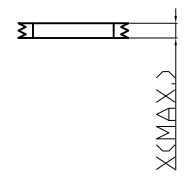


1 2 3 4 5 6 7

A



Panel Thickness
Screw L=5.0 For Panel Thickness Under 1.2mm
Screw L=6.0 For Panel Thickness Between 1.2-2.0mm

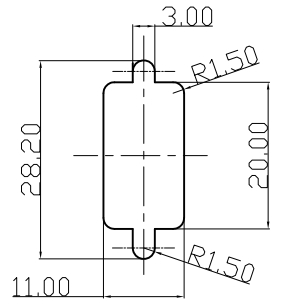
B

C

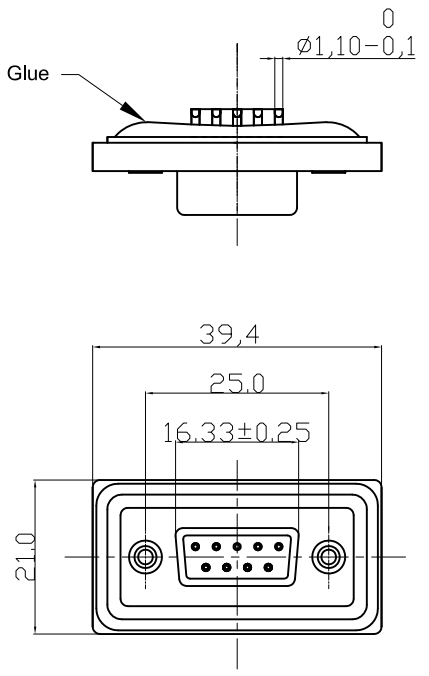
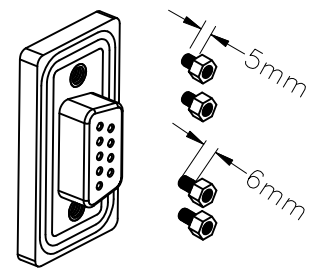
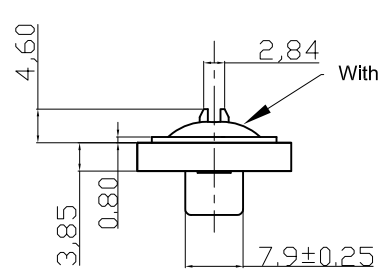
D

E

F



Recommended Panel Cut-Out



NOTES:

- MATERIAL**
1. Insulator Material: Black, NYLON+G/F UL94V-0 ③
 2. Contact Material: Copper Alloy
 - ③ 3. Plating: 1u" Gold Plating
 4. Waterproof Rate: IP67
 5. Applicable Wire Range: 22AWG-26AWG
 6. Do Mating Test After Glued
- ③ **Electrical**
1. Contact resistance: 20mΩ max.
 2. Insulation resistance: 500MΩ min. at DC500V
 3. Dielectric withstanding voltage: 500V AC 1 minute
- ⑤ 4. Rating current: 5A
- ⑤ 5. Durability: 500 cycles
- ⑤ 6. Temperature range: -40°C ~ +105°C.

A

B

C

D

E

F

G

H

RoHS compliant

Unit:mm

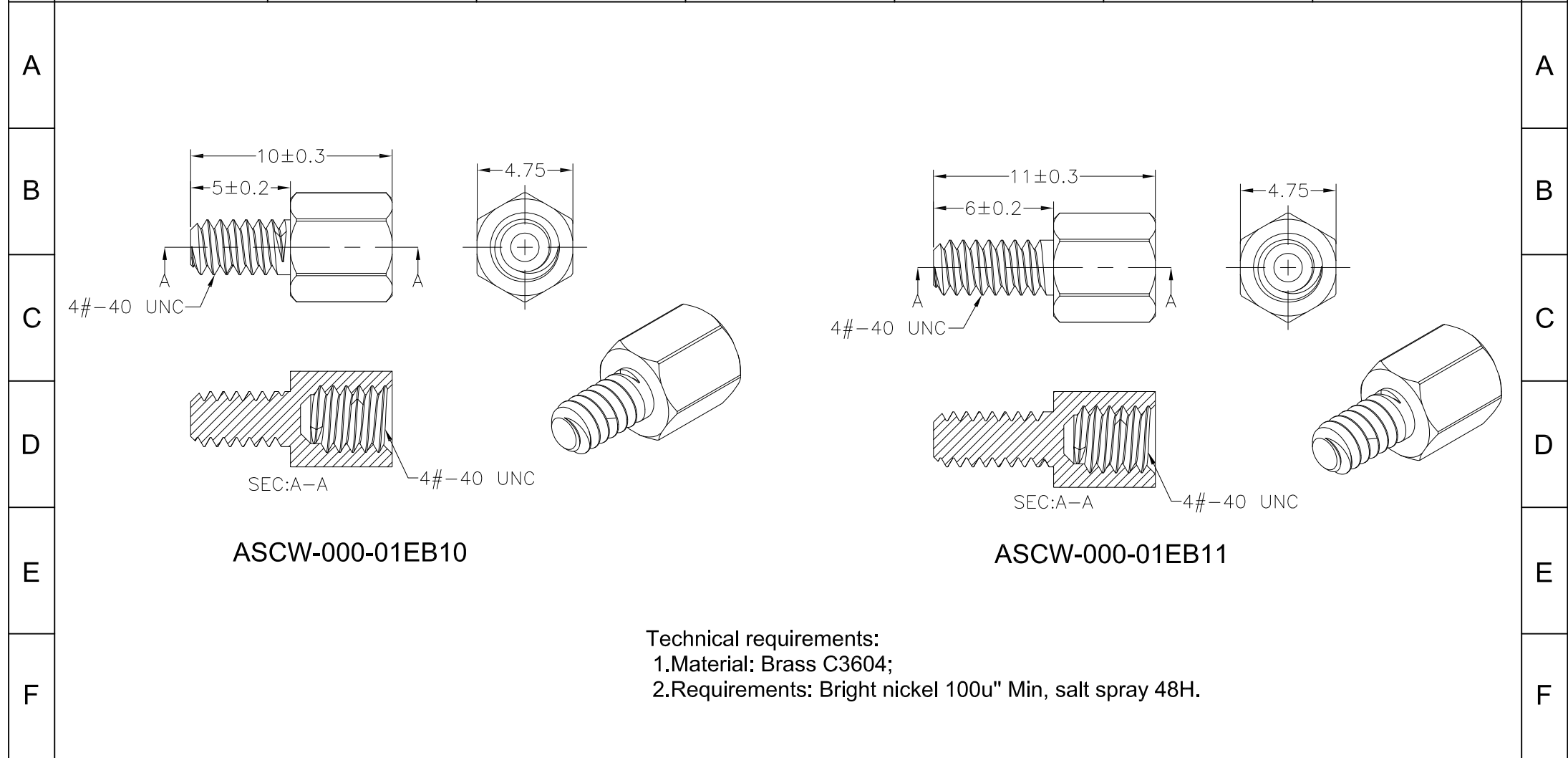
Scale	Free						Date	Name	Description: 9 Pin Female Connector	
TOLERANCE		⑤	Update the rating current and temperature range	19.10.2020	Segal	Drawn	18.12.2008	JACK	ASSMANN WSW-No.	
X.X	±0.25	④	Add the screw spec on page 2	03.08.2020	Segal	Approved	19.10.2020	Segal	A-DF 09 LL-WP	
X.XX	±0.10	③	Add notes	23.01.2018	Segal				Drawing-No.	
X.XXX	±0.05	②	Update	13.08.2015	Joanna			ASS 3228 CO		rev05
DIM	TOL	①	Drawn	18.12.2008	JACK			Customer-No.		SHEET 1 / 2
Angle	±1°	Id.	Modification	Date	Name					

G

H

1 2 3 4 5 6 7

	1	2	3	4	5	6	7	
--	---	---	---	---	---	---	---	--



ASCW-000-01EB10

ASCW-000-01EB11

Technical requirements:
 1.Material: Brass C3604;
 2.Requirements: Bright nickel 100u" Min, salt spray 48H.

G	RoHS compliant Unit:mm	Scale	Free					Date	Name	Description: 9 Pin Female Connector	
		TOLERANCE		⑤	Update the rating current and temperature range	19.10.2020	Segal	Drawn	18.12.2008	JACK	
.X		±0.15	④	Add the screw spec on page 2	03.08.2020	Segal	Approved	19.10.2020	Segal	ASSMANN WSW-No.	
.XX		±0.10	③	Add notes	23.01.2018	Segal				A-DF 09 LL-WP	
DIM		TOL	②	Update	13.08.2015	Joanna			Drawing-No.		rev05
.X°		±0.5°	①	Drawn	18.12.2008	JACK			ASS 3228 CO		
X°		±1.0°							Customer-No.		SHEET
Angle	TOL	Id.	Modification	Date	Name					2 / 2	

	1	2	3	4	5	6	7	
--	---	---	---	---	---	---	---	--