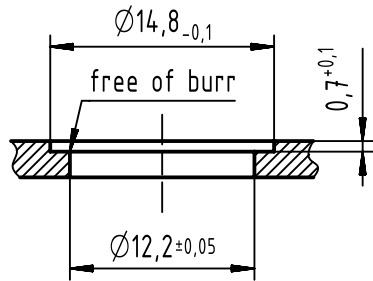
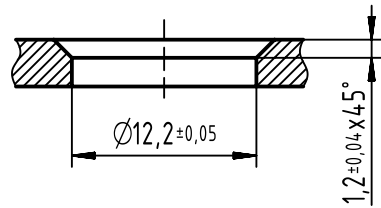


Panel cut out (through hole)

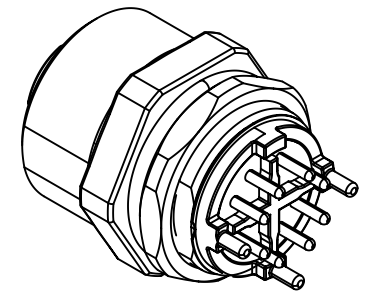
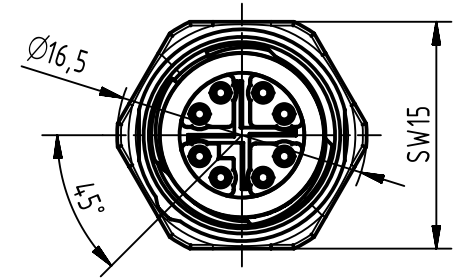
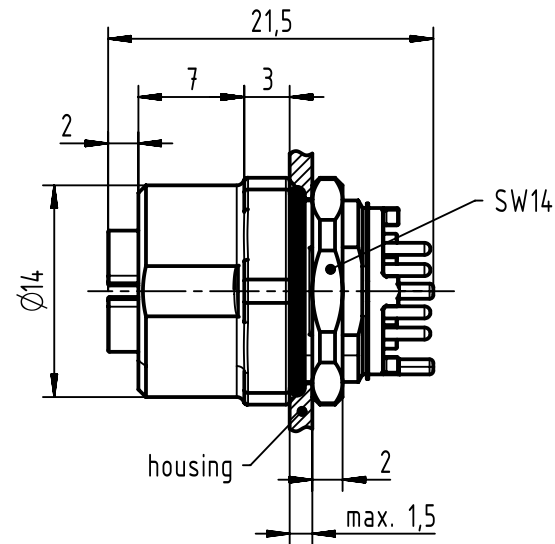
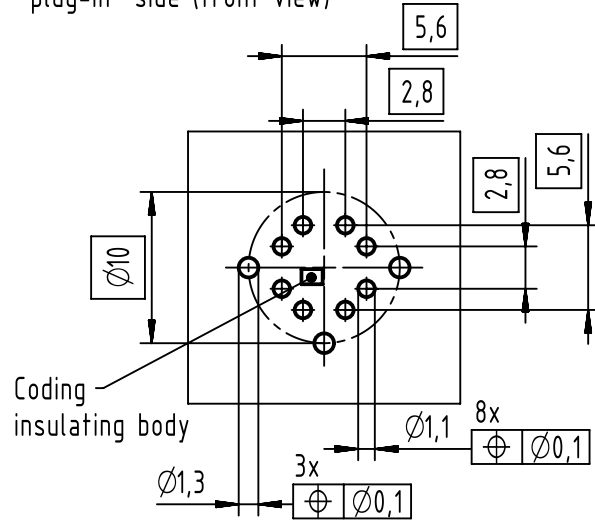
Variant 1:



Variant 2:



Drilling plan
plug-in side (front view)



	All rights reserved Department EC PD - DE	All Dimensions in mm Original Size DIN A4		Scale 2:1	Free size tol.	Ref.
		HARTING Electronics GmbH D-32339 Espelkamp	Created by DYCKC	Inspected by WELLMANN	Standardisation HOFFMANN	Date 2013-12-02
Title har-speed M12 PCB-Adapter 8-pole female						Doc-Key / ECM-Nr. 100184237/UGD/001/C 500000068963
Type TB				Number 21033812801		Rev. C
						Page 1/1