

HOUSING SIZE	CIRCUIT SIZE	DIM. A	DIM. B
6	6	13.21	6.35
6	4	13.21	3.81
6	2	13.21	1.27
8	8	15.24	8.89
8	6	15.24	6.35

"X"=NOT TOOLED	ASSEMBLY ITEM NO.	CONNECTOR SIZE	CIRCUIT SIZE	TERMINAL PLATING	TAPE & REEL PACKAGING No.	VOIDED CIRCUITS
	43743-6001	6	6	A	PK-70873-7001	NA
X	43743-6002	6	6	B		
X	43743-6003	6	6	C		
	43743-6101	6	4	A		
X	43743-6102	6	4	B		
X	43743-6103	6	4	C	PK-70873-7001	
	43743-8101	8	8	A	PK-70873-7002	
X	43743-8102	8	8	B		
X	43743-8103	8	8	C		
X	43743-8201	8	6	A		
X	43743-8202	8	6	B		
X	43743-8203	8	6	C		
X	43743-8301	8	4	A		
X	43743-8302	8	4	B		
X	43743-8303	8	4	C	PK-70873-7002	
	43743-6201	6	2	A	PK-70873-7001	
X	43743-6202	6	2	B	PK-70873-7001	
X	43743-6203	6	2	C	PK-70873-7001	NA

NOTES:

1) MATERIAL:  
HOUSING & INSULATOR: NYLON(PA), GLASS FILLED, UL94V-0, COLOR: BLACK  
TERMINALS: PHOSPHOR BRONZE, 0.30 mm THICK  
FITTING NAILS: BRASS, 0.25 mm THICK

2) FINISH:  
TERMINALS:  
A = SELECT GOLD IN CONTACT AREA: 0.00127 mm MIN.,  
\*SELECT MATTE TIN IN PC TAIL AREA: 0.00254 mm MIN.,  
WITH OVERALL NICKEL UNDERPLATE: 0.00127 mm MIN.,  
B = SELECT GOLD IN CONTACT AREA: 0.00076mm MIN.,  
\*SELECT MATTE TIN IN PC TAIL AREA: 0.00254 mm MN.,  
WITH OVERALL NICKEL UNDERPLATE: 0.00127 mm MIN.,  
C = SELECT GOLD IN CONTACT AREA: 0.00038 mm MIN.,  
\*SELECT MATTE TIN IN PC TAIL AREA: 0.00254 mm MIN.,  
WITH OVERALL NICKEL UNDERPLATE: 0.00127 mm MIN..

FITTING NAILS:  
\*2.54 MICROMETER MATTE TIN OVER 1.27 MICROMETER NICKEL UNDERPLATE  
\*THE PRIMARY SHIPPING CARTON WILL BE LABELED "COMPLIANT TO RoHS DIRECTIVE 2002/95/EC AND ELV ANNEX II OF DIRECTIVE 2000/53/EC".  
CARTONS WITHOUT THIS LABEL MAY CONTAIN PRODUCT WITH TIN-LEAD IN THE PC TAILS AND/OR FITTING NAILS.

3) PRODUCT SPECIFICATION AND PROCESSING PARAMETERS: PS-43743-0001.

4) PACKAGING SPECIFICATION:  
CONNECTOR ASSEMBLIES TO BE PACKAGED USING TAPE & REEL SYSTEM.

5) COPLANARITY SPECIFICATION:  
WHEN AN ASSEMBLY IS PLACED UPON A LEVEL SURFACE, THE MAXIMUM GAP BETWEEN THE LEVEL SURFACE AND ALL TERMINAL TAILS AND BOTH FITTING NAILS IS 0.15 mm.

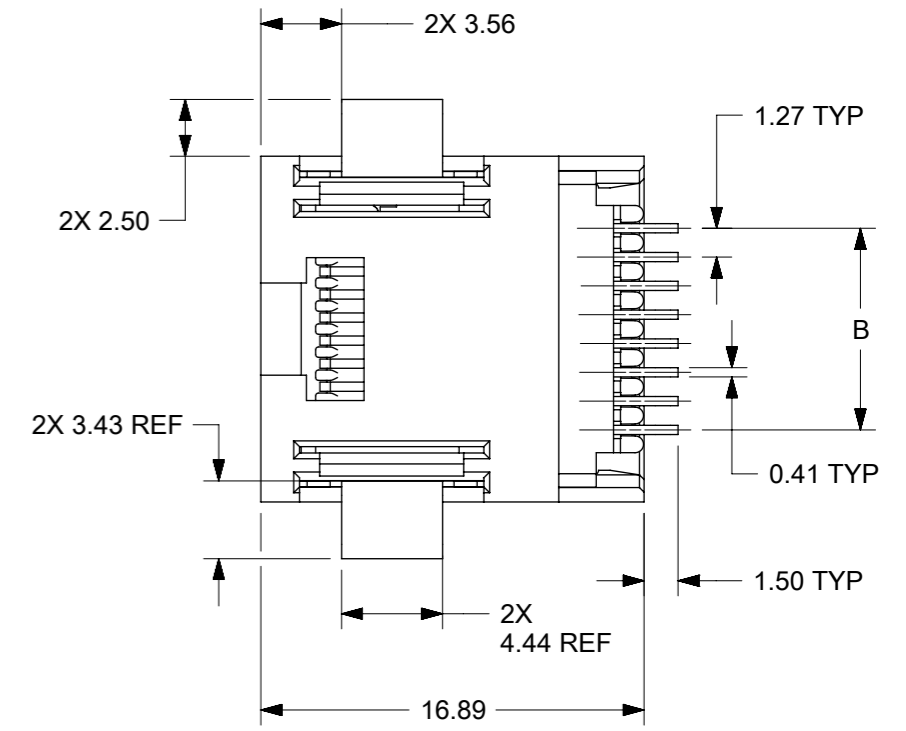
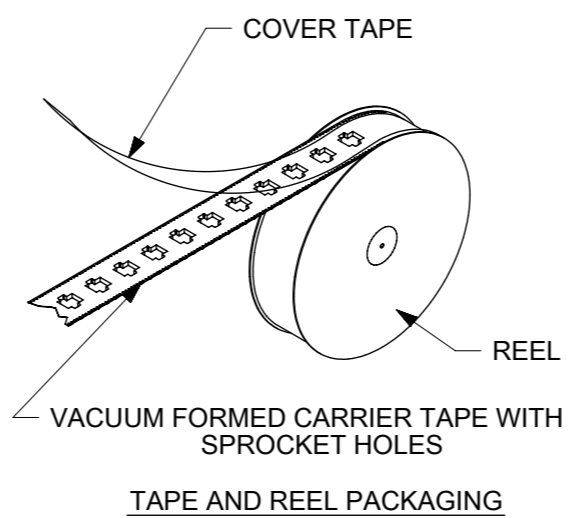
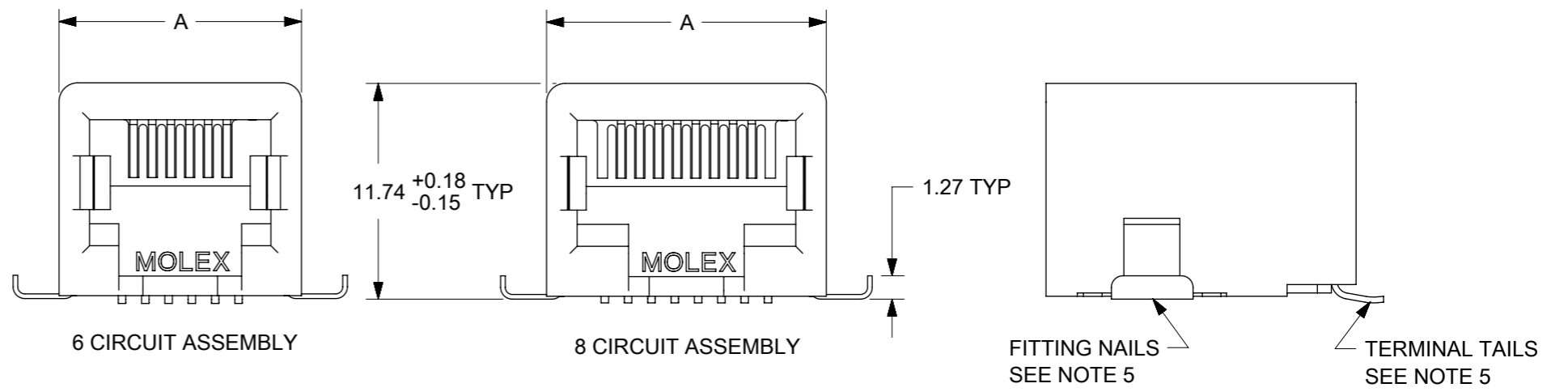
6) FOR ASSEMBLIES HAVING VOIDED CIRCUITS, THE TAIL PORTION IS CUT AND REMOVED. THE MATING PORTION OF THE TERMINAL REMAINS INTACT. VOIDED CIRCUITS MUST BE THE SAME FOR BOTH PARTS.

7) CONFORMS TO FCC REGULATION PART 68.5 FOR MODULAR JACKS.

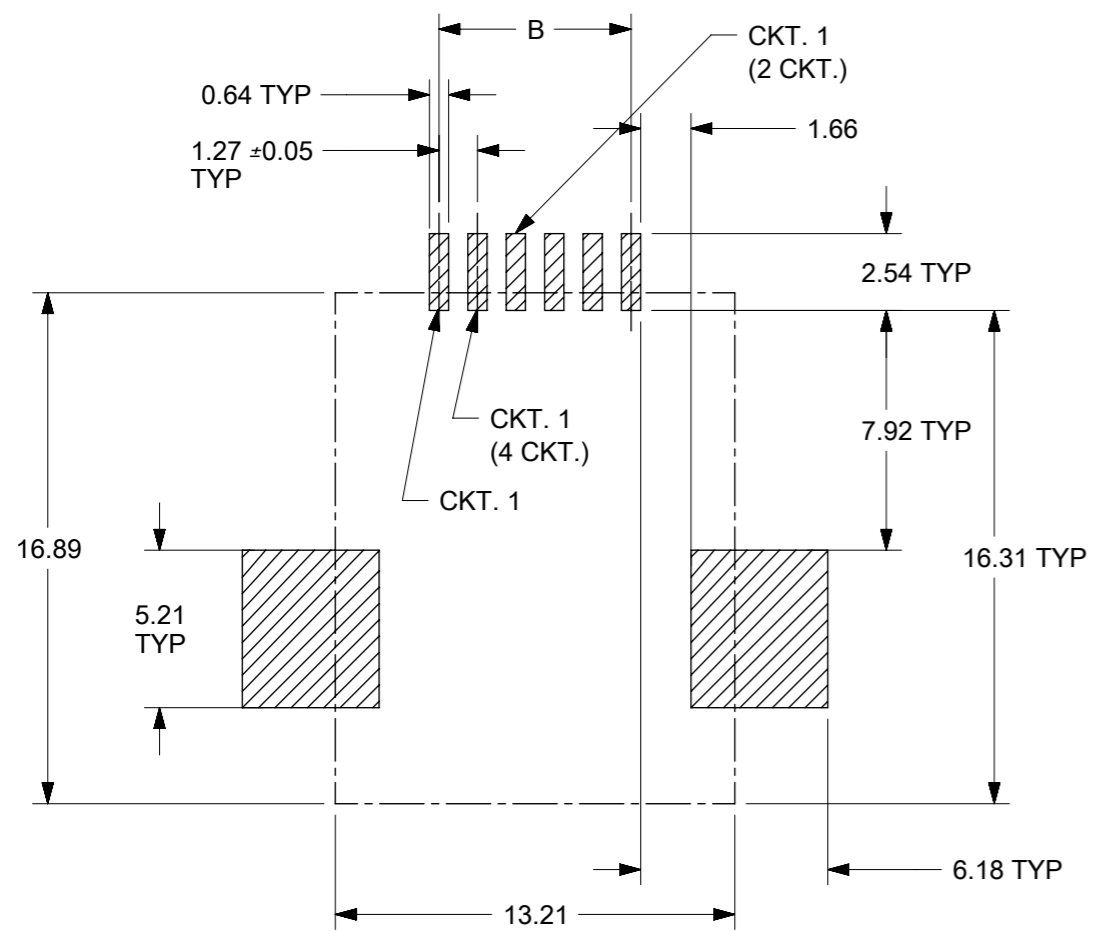
8) THIS PART CONFORMS TO CLASS B REQUIREMENTS OF COSMETIC SPECIFICATION PS-45499-002.

9) REBUILT FROM SDA-43743-xxxx.

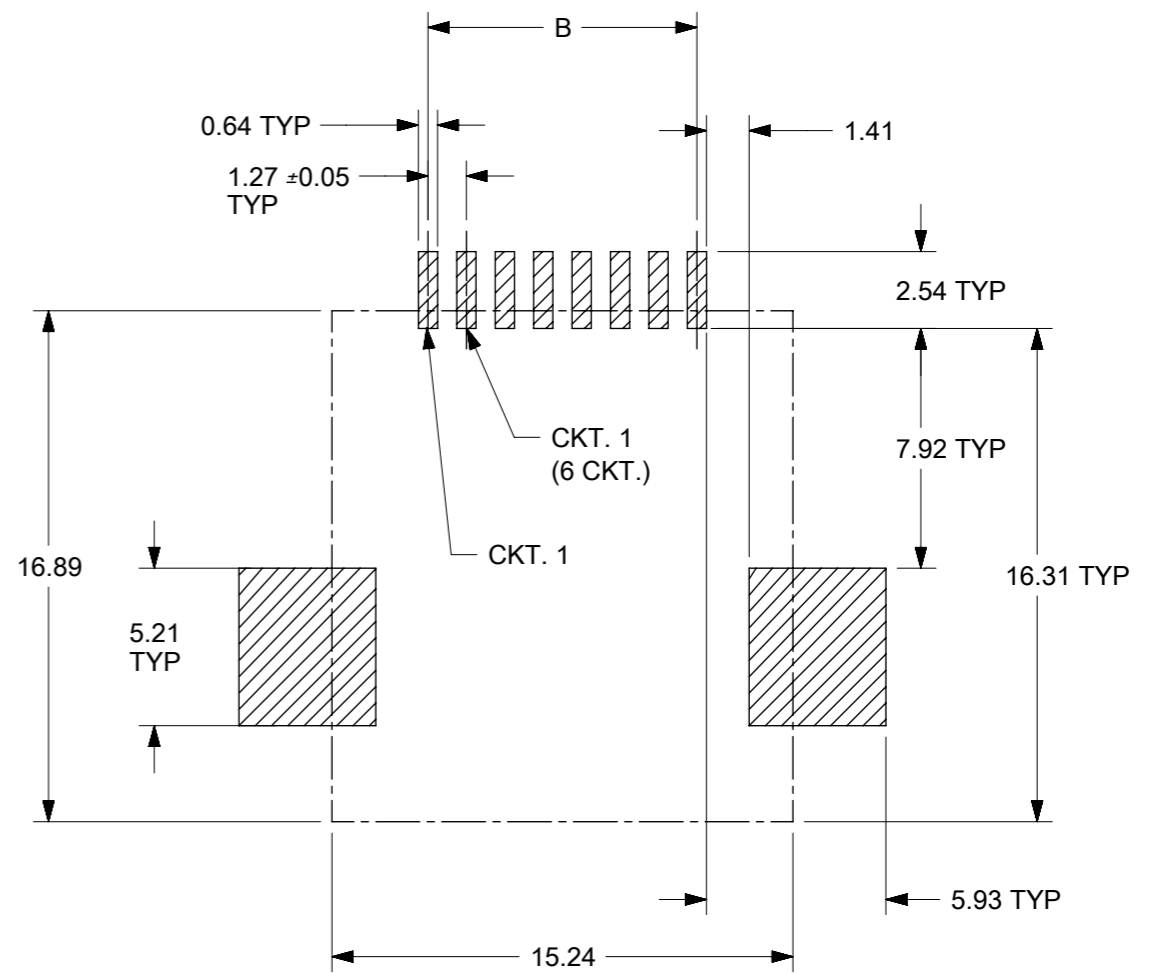
DOCUMENT STATUS	P1	RELEASE DATE	2020/04/09	17:09:42
-----------------	----	--------------	------------	----------



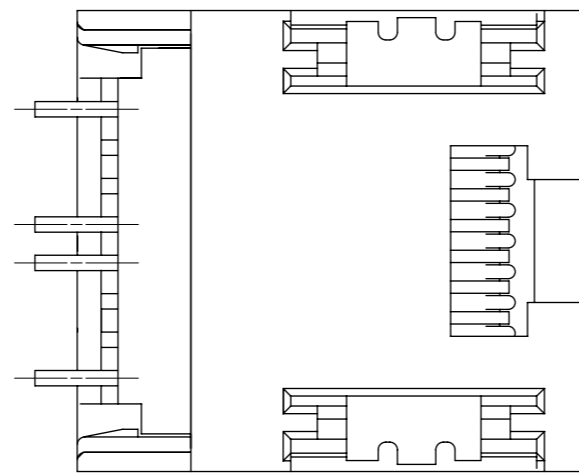
SYMBOLS	THIS DRAWING CONTAINS INFORMATION THAT IS PROPRIETARY TO MOLEX ELECTRONIC TECHNOLOGIES, LLC AND SHOULD NOT BE USED WITHOUT WRITTEN PERMISSION		CURRENT REV DESC:		<b>molex</b>
	DIMENSION UNITS	SCALE			
▽ = 0	mm	3:1			SURFACE MOUNT MODULAR JACK
▽ = 0	GENERAL TOLERANCES (UNLESS SPECIFIED)				
▽ = 0	ANGULAR TOL ± 0.5°				PRODUCT CUSTOMER DRAWING
▽ = 0	4 PLACES	±			
▽ = 0	3 PLACES	±			DOCUMENT NUMBER
▽ = 0	2 PLACES	± 0.25			
▽ = 0	1 PLACE	± 0.36			DOC TYPE
▽ = 0	0 PLACES	±			
□ = 0	DRAFT WHERE APPLICABLE MUST REMAIN WITHIN DIMENSIONS		THIRD ANGLE PROJECTION	DRAWING	DOC PART
▽ = 0			A3-SIZE	SERIES	
			2017/12/04	2018/03/23	REVISION
			43743	SEE TABLE	
			MATERIAL NUMBER	CUSTOMER	SHEET NUMBER
			437438101		1 OF 2



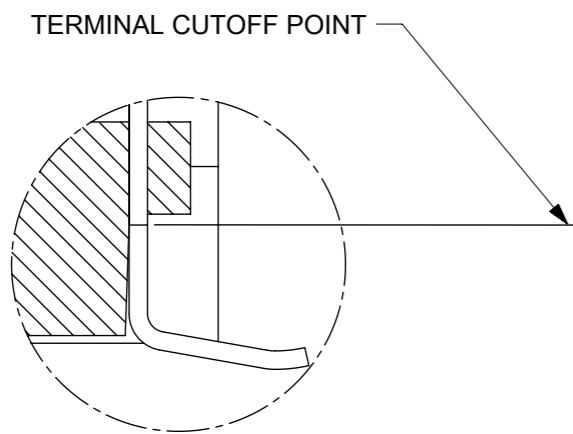
PC BOARD LAYOUT FOR  
6 POSITION HOUSING  
(COMPONENT SIDE OF BOARD)



PC BOARD LAYOUT FOR  
8 POSITION HOUSING  
(COMPONENT SIDE OF BOARD)



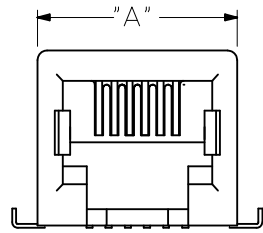
TYPICAL VIEW SHOWING VOIDED CIRCUIT  
(CIRCUITS 2,3,6 & 7 SHOWN VOIDED)



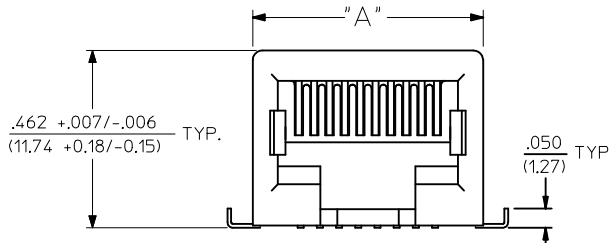
VIEW SHOWING TYPICAL TERMINAL  
CUTOFF OF TAIL (SEE NOTE 5) FOR VOIDED CIRCUITS.

THIS DRAWING CONTAINS INFORMATION THAT IS PROPRIETARY TO MOLEX ELECTRONIC TECHNOLOGIES, LLC AND SHOULD NOT BE USED WITHOUT WRITTEN PERMISSION									
SYMBOLS	DIMENSION UNITS	SCALE	CURRENT REV DESC:						
	mm	1:1	<b>molex</b> SURFACE MOUNT MODULAR JACK						
▽ = 0	GENERAL TOLERANCES (UNLESS SPECIFIED)								
▽ = 0	ANGULAR TOL ± 0.5°		PRODUCT CUSTOMER DRAWING						
▽ = 0	4 PLACES ±	INITIAL REVISION: DRWN: VK10 2017/12/04 APPR: KLANG 2018/03/23							
▽ = 0	3 PLACES ±								
▽ = 0	2 PLACES ± 0.25	DOCUMENT NUMBER		DOC TYPE	DOC PART	REVISION	437438101 PSD 000 H2		
▽ = 0	1 PLACE ± 0.36	MATERIAL NUMBER		CUSTOMER		SHEET NUMBER			
▽ = 0	0 PLACES ±	SEE TABLE				2 OF 2			
□ = 0	DRAFT WHERE APPLICABLE MUST REMAIN WITHIN DIMENSIONS		THIRD ANGLE PROJECTION	DRAWING	SERIES	MATERIAL NUMBER		CUSTOMER	SHEET NUMBER
▽ = 0				A3-SIZE	43743	SEE TABLE			2 OF 2

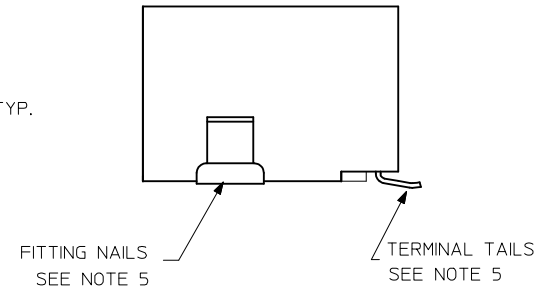
HOUSING SIZE	CIRCUIT SIZE	DIM. A	DIM. B
6	6	.520 (13.21)	.250 (6.35)
6	4	.520 (13.21)	.150 (3.81)
6	2	.520 (13.21)	.050 (1.27)
8	8	.600 (15.24)	.350 (8.89)
8	6	.600 (15.24)	.250 (6.35)



6 CIRCUIT ASSEMBLY



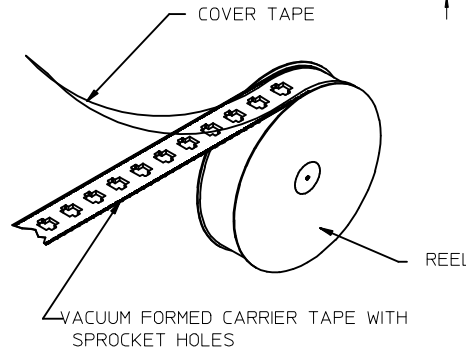
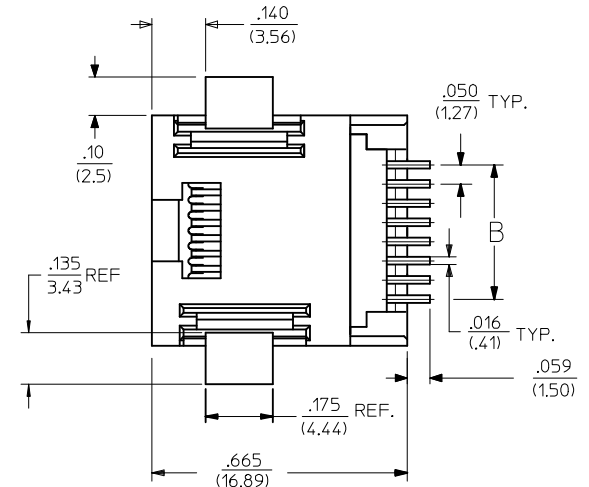
8 CIRCUIT ASSEMBLY



FITTING NAILS  
SEE NOTE 5

TERMINAL TAILS  
SEE NOTE 5

*X*=NOT TOOLED	ASSEMBLY ITEM NO.	CONNECTOR SIZE	CIRCUIT SIZE	TERMINAL PLATING	TAPE & REEL PACKAGING No.	VOIDED CIRCUITS
	43743-6001	6	6	A	PK-70873-7001	NA
X	43743-6002	6	6	B		
X	43743-6003	6	6	C		
	43743-6101	6	4	A		
X	43743-6102	6	4	B		
X	43743-6103	6	4	C	PK-70873-7001	
	43743-8101	8	8	A	PK-70873-7002	
X	43743-8102	8	8	B		
X	43743-8103	8	8	C		
X	43743-8201	8	6	A		
X	43743-8202	8	6	B		
X	43743-8203	8	6	C		
X	43743-8301	8	4	A		
X	43743-8302	8	4	B		
X	43743-8303	8	4	C	PK-70873-7002	
	43743-6201	6	2	A	PK-70873-7001	
X	43743-6202	6	2	B	PK-70873-7001	
X	43743-6203	6	2	C	PK-70873-7001	NA



TAPE AND REEL PACKAGING

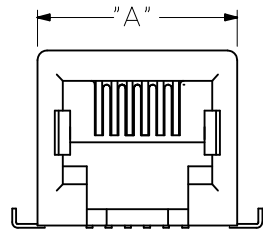
NOTES:

- MATERIAL:  
HOUSING & INSULATOR: NYLON(PA), GLASS FILLED, UL94V-0, COLOR: BLACK  
TERMINALS: PHOSPHOR BRONZE, .012/(0.30) THICK  
FITTING NAILS: BRASS, .010/(0.25) THICK
- FINISH:  
TERMINALS:  
A = SELECT GOLD IN CONTACT AREA: .000050/(0.00127) MIN.,  
\*SELECT MATTE TIN IN PC TAIL AREA: .000100/(0.00254) MN.,  
WITH OVERALL NICKEL UNDERPLATE: .000050/(0.00127) MIN.  
B = SELECT GOLD IN CONTACT AREA: .000030/(0.00076) MIN.,  
\*SELECT MATTE TIN IN PC TAIL AREA: .000100/(0.00254) MN.,  
WITH OVERALL NICKEL UNDERPLATE: .000050/(0.00127) MIN.  
C = SELECT GOLD IN CONTACT AREA: .000015/(0.00038) MIN.,  
\*SELECT MATTE TIN IN PC TAIL AREA: .000100/(0.00254) MN.,  
WITH OVERALL NICKEL UNDERPLATE: .000050/(0.00127) MIN.  
FITTING NAILS:  
\*100 MICROINCHES MATTE TIN OVER 50 MICROINCHES NICKEL UNDERPLATE  
\*THE PRIMARY SHIPPING CARTON WILL BE LABELED "COMPLIANT TO RoHS DIRECTIVE 2002/95/EC AND ELV ANNEX II OF DIRECTIVE 2000/53/EC". CARTONS WITHOUT THIS LABEL MAY CONTAIN PRODUCT WITH TIN-LEAD IN THE PC TAILS AND/OR FITTING NAILS.
- PRODUCT SPECIFICATION AND PROCESSING PARAMETERS: PS-43743-0001.
- PACKAGING SPECIFICATION:  
CONNECTOR ASSEMBLIES TO BE PACKAGED USING TAPE & REEL SYSTEM.
- COPLANARITY SPECIFICATION:  
WHEN AN ASSEMBLY IS PLACED UPON A LEVEL SURFACE, THE MAXIMUM GAP BETWEEN THE LEVEL SURFACE AND ALL TERMINAL TAILS AND BOTH FITTING NAILS IS .006/(0.15).
- FOR ASSEMBLIES HAVING VOIDED CIRCUITS, THE TAIL PORTION IS CUT AND REMOVED. THE MATING PORTION OF THE TERMINAL REMAINS INTACT. VOIDED CIRCUITS MUST BE THE SAME FOR BOTH PARTS.
- CONFORMS TO FCC REGULATION PART 68.5 FOR MODULAR JACKS.
- THIS PART CONFORMS TO CLASS B REQUIREMENTS OF COSMETIC SPECIFICATION PS-45499-002.

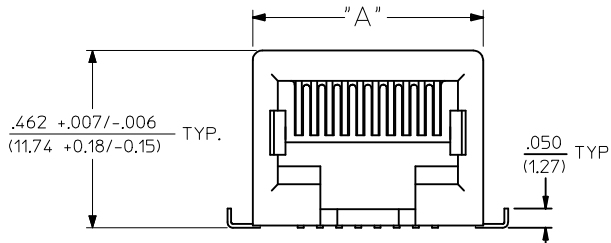
2	H
1	J3
SHT	REV

OBSOLETE PN EC NO: UCP2017-0673 DRWNAFENG02 2016/09/22 CHKD: APPR:KLANG 2016/10/10	QUALITY SYMBOLS ▽=0 ▽=0	GENERAL TOLERANCES (UNLESS SPECIFIED)	DIMENSION STYLE IN/MM	SCALE INCH	DESIGN UNITS INCH	THIRD ANGLE PROJECTION
		mm INCH	DRAWN BY DATE PEARSON 6/18/96	TITLE SURFACE MOUNT MODULAR JACK		
		4 PLACES ± --- ± --- 3 PLACES ± --- ± .010 2 PLACES ± 0.25 ± .014 1 PLACE ± 0.36 ± ---	CHECKED BY DATE PEARSON 6/18/96	APPROVED BY DATE EDGLEY 6/18/96		
		ANGULAR ±1/2°	MATERIAL NO. SEE CHARTS	DOCUMENT NO. SDA-43743-****	SHEET NO. 1 OF 2	
J4	REV	DRAFT WHERE APPLICABLE MUST REMAIN WITHIN DIMENSIONS	THIS DRAWING CONTAINS INFORMATION THAT IS PROPRIETARY TO MOLEX INCORPORATED AND SHOULD NOT BE USED WITHOUT WRITTEN PERMISSION			

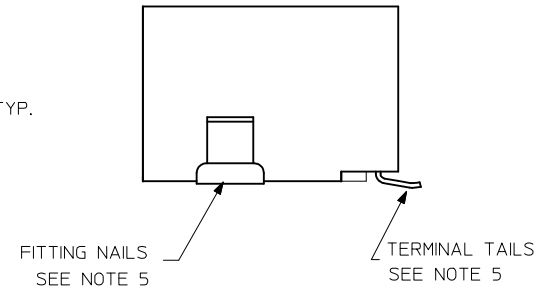
HOUSING SIZE	CIRCUIT SIZE	DIM. A	DIM. B
6	6	.520 (13.21)	.250 (6.35)
6	4	.520 (13.21)	.150 (3.81)
6	2	.520 (13.21)	.050 (1.27)
8	8	.600 (15.24)	.350 (8.89)
8	6	.600 (15.24)	.250 (6.35)



6 CIRCUIT ASSEMBLY



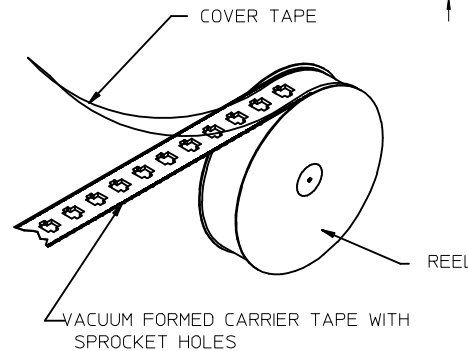
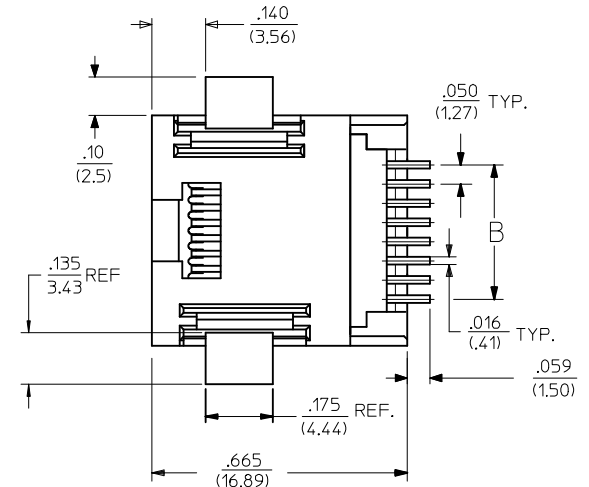
8 CIRCUIT ASSEMBLY



FITTING NAILS  
SEE NOTE 5

TERMINAL TAILS  
SEE NOTE 5

*X*=NOT TOOLED	ASSEMBLY ITEM NO.	CONNECTOR SIZE	CIRCUIT SIZE	TERMINAL PLATING	TAPE & REEL PACKAGING No.	VOIDED CIRCUITS
	43743-6001	6	6	A	PK-70873-7001	NA
X	43743-6002	6	6	B		
X	43743-6003	6	6	C		
	43743-6101	6	4	A		
X	43743-6102	6	4	B		
X	43743-6103	6	4	C	PK-70873-7001	
	43743-8101	8	8	A	PK-70873-7002	
X	43743-8102	8	8	B		
X	43743-8103	8	8	C		
X	43743-8201	8	6	A		
X	43743-8202	8	6	B		
X	43743-8203	8	6	C		
X	43743-8301	8	4	A		
X	43743-8302	8	4	B		
X	43743-8303	8	4	C	PK-70873-7002	
	43743-6201	6	2	A	PK-70873-7001	
X	43743-6202	6	2	B	PK-70873-7001	
X	43743-6203	6	2	C	PK-70873-7001	NA



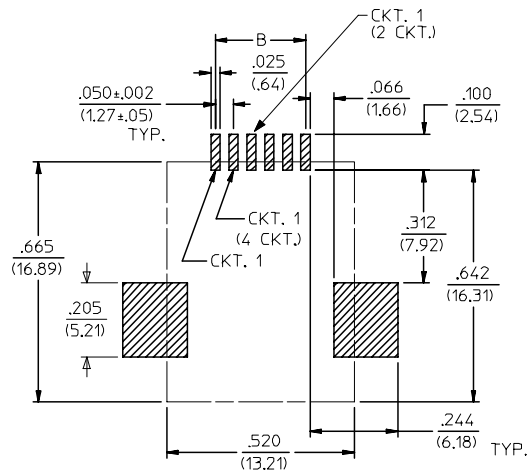
TAPE AND REEL PACKAGING

NOTES:

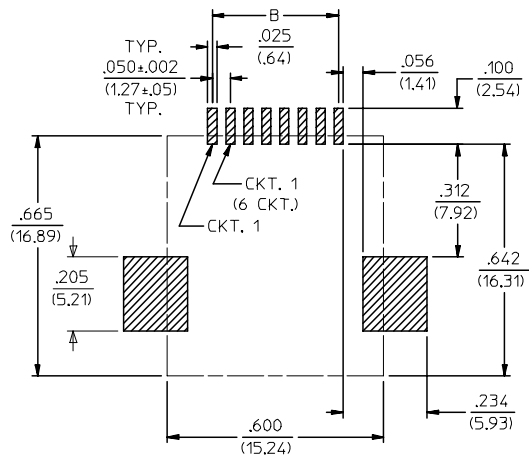
- MATERIAL:  
HOUSING & INSULATOR: NYLON(PA), GLASS FILLED, UL94V-0, COLOR: BLACK  
TERMINALS: PHOSPHOR BRONZE, .012/(0.30) THICK  
FITTING NAILS: BRASS, .010/(0.25) THICK
- FINISH:  
TERMINALS:  
A = SELECT GOLD IN CONTACT AREA: .000050/(0.00127) MIN.,  
\*SELECT MATTE TIN IN PC TAIL AREA: .000100/(0.00254) MN.,  
WITH OVERALL NICKEL UNDERPLATE: .000050/(0.00127) MIN.  
B = SELECT GOLD IN CONTACT AREA: .000030/(0.00076) MIN.,  
\*SELECT MATTE TIN IN PC TAIL AREA: .000100/(0.00254) MN.,  
WITH OVERALL NICKEL UNDERPLATE: .000050/(0.00127) MIN.  
C = SELECT GOLD IN CONTACT AREA: .000015/(0.00038) MIN.,  
\*SELECT MATTE TIN IN PC TAIL AREA: .000100/(0.00254) MN.,  
WITH OVERALL NICKEL UNDERPLATE: .000050/(0.00127) MIN.  
FITTING NAILS:  
\*100 MICROINCHES MATTE TIN OVER 50 MICROINCHES NICKEL UNDERPLATE  
\*THE PRIMARY SHIPPING CARTON WILL BE LABELED "COMPLIANT TO RoHS DIRECTIVE 2002/95/EC AND ELV ANNEX II OF DIRECTIVE 2000/53/EC". CARTONS WITHOUT THIS LABEL MAY CONTAIN PRODUCT WITH TIN-LEAD IN THE PC TAILS AND/OR FITTING NAILS.
- PRODUCT SPECIFICATION AND PROCESSING PARAMETERS: PS-43743-0001.
- PACKAGING SPECIFICATION:  
CONNECTOR ASSEMBLIES TO BE PACKAGED USING TAPE & REEL SYSTEM.
- COPLANARITY SPECIFICATION:  
WHEN AN ASSEMBLY IS PLACED UPON A LEVEL SURFACE, THE MAXIMUM GAP BETWEEN THE LEVEL SURFACE AND ALL TERMINAL TAILS AND BOTH FITTING NAILS IS .006/(0.15).
- FOR ASSEMBLIES HAVING VOIDED CIRCUITS, THE TAIL PORTION IS CUT AND REMOVED. THE MATING PORTION OF THE TERMINAL REMAINS INTACT. VOIDED CIRCUITS MUST BE THE SAME FOR BOTH PARTS.
- CONFORMS TO FCC REGULATION PART 68.5 FOR MODULAR JACKS.
- THIS PART CONFORMS TO CLASS B REQUIREMENTS OF COSMETIC SPECIFICATION PS-45499-002.

2	H
1	J3
SHT	REV

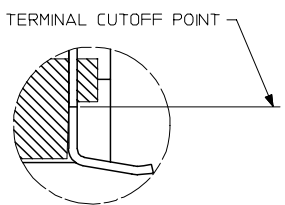
OBSOLETE PN EC NO: UCP2017-0673 DRW:WAFENG02 2016/09/22 CHKD: APPR:KLANG 2016/10/10	QUALITY SYMBOLS ▽=0 ▽=0	GENERAL TOLERANCES (UNLESS SPECIFIED)		DIMENSION STYLE IN/MM		SCALE	DESIGN UNITS INCH	THIRD ANGLE PROJECTION	
		mm	INCH	DRAWN BY PEARSON	DATE 6/18/96	TITLE SURFACE MOUNT MODULAR JACK	MOLEX MOLEX INCORPORATED	DOCUMENT NO. SDA-43743-****	SHEET NO. 1 OF 2
J4	REV	4 PLACES ± --- ± ---	PEARSON	6/18/96	THIS DRAWING CONTAINS INFORMATION THAT IS PROPRIETARY TO MOLEX INCORPORATED AND SHOULD NOT BE USED WITHOUT WRITTEN PERMISSION				
		3 PLACES ± --- ± .010	CHECKED BY	DATE					
		2 PLACES ± 0.25 ± .014	PEARSON	6/18/96					
		1 PLACE ± 0.36 ± ---	APPROVED BY EDGLEY	DATE 6/18/96					
DRAFT WHERE APPLICABLE MUST REMAIN WITHIN DIMENSIONS		ANGULAR ±1/2°		SEE CHARTS					



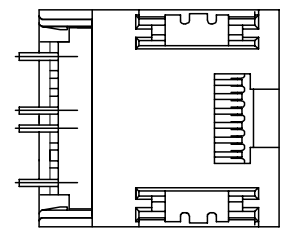
PC BOARD LAYOUT FOR 6 POSITION HOUSING (COMPONENT SIDE OF BOARD)



PC BOARD LAYOUT FOR 8 POSITION HOUSING (COMPONENT SIDE OF BOARD)



VIEW SHOWING TYPICAL TERMINAL CUTOFF OF TAIL (SEE NOTE 5) FOR VOIDED CIRCUITS.



TYPICAL VIEW SHOWING VOIDED CIRCUIT (CIRCUITS 2,3,6 & 7 SHOWN VOIDED)

SEE SHEET ONE EC NO: UCP2004-0798 DRWN:LSCHMIDT 2004/01/05 CHKD:LSCHMIDT 2004/01/05 APPR:FSMITH 2004/01/08	QUALITY SYMBOLS	GENERAL TOLERANCES (UNLESS SPECIFIED)		SCALE --- INCH	DESIGN UNITS INCH	THIRD ANGLE PROJECTION	REVISE ON CAD ONLY	
	DESCRIPTION ▽ = 0 ▽ = 0	mm	INCH	DIMENSION STYLE IN/MM		TITLE		
		4 PLACES ± .005 ± .005	3 PLACES ± .010 ± .010	DRAWN BY DATE		SURFACE MOUNT MODULAR JACK		
		2 PLACES ± 0.25 ± .014	1 PLACE ± 0.36 ± .014	PEARSON 06/18/96		MOLEX INCORPORATED		
REV	ANGULAR ±1/2°	DRAFT WHERE APPLICABLE MUST REMAIN WITHIN DIMENSIONS		APPROVED BY DATE		MATERIAL NO.	DOCUMENT NO.	
				EDGLEY 06/18/96		SEE TABLE	SDA-43743-****	
				THIS DRAWING CONTAINS INFORMATION THAT IS PROPRIETARY TO MOLEX INCORPORATED AND SHOULD NOT BE USED WITHOUT WRITTEN PERMISSION		SHEET NO. 2 OF 2		