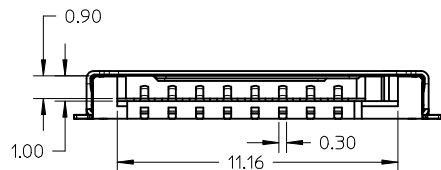
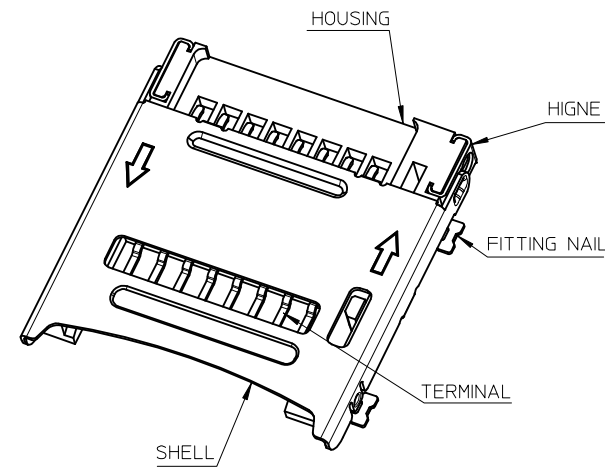
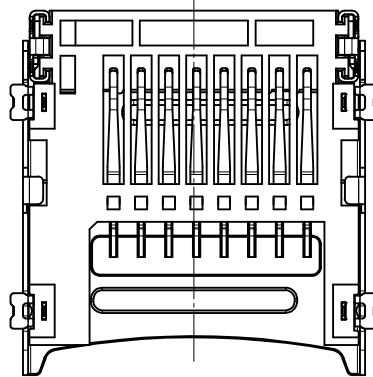
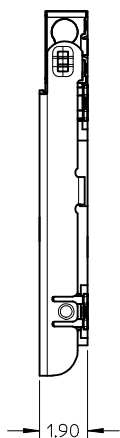
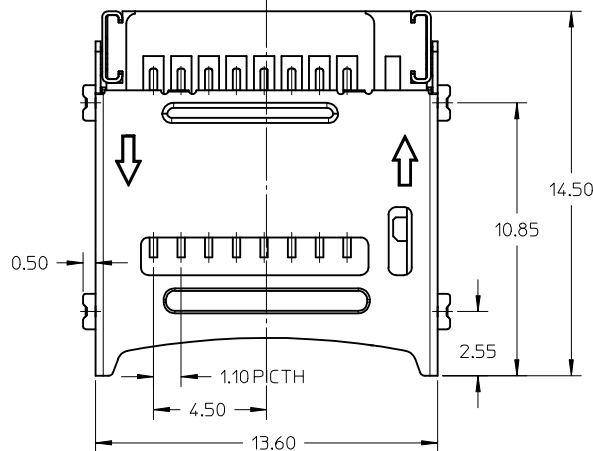


10 9 8 7 6 5 4 3 2 1

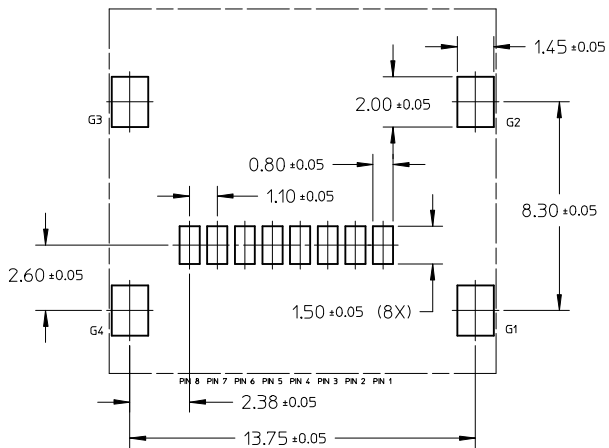


P/N	Gold PLATING ON CONTACT AREA
472190001	2u" min.
472192001	20u" min.

G4	GND
G3	GND
G2	GND
G1	GND
PIN8	DAT1
PIN7	DAT0
PIN6	VSS
PIN5	CLK
PIN4	VDD
PIN3	CMD
PIN2	CD/DAT3
PIN1	DAT2
PIN NUMBER	PIN NAME

NOTES:

- MATERIAL:
 - 1-1 TERMINAL, FITTING NAIL, HIGE : COPPER ALLOY
 - 1-2 SHELL : STAINLESS STEEL
 - 1-3 HOUSING : LCP, UL 94-V0, BLACK
- FINISH:
 - 2-1 TERMINAL : OVERALL NICKEL UNDERPLATED, GOLD PLATING ON CONTACT AREA TIN PLATING ON SOLDER TAIL
 - 2-2 FITTING NAIL : OVERALL NICKEL UNDERPLATED, TIN PLATED ON SOLDER AREA
 - 2-3 HIGE : OVERALL NICKEL PLATING
- MECHANICAL SPECIFICATION:
 - DURABILITY MATED 5,000 TIMES AND STILL MEET ELECTRICAL CHARACTERISTICS
- ELECTRICAL SPECIFICATION:
 - 4-1 RATED CURRENT (PER CONTACT) : 0.5AMPS MAX AND TEMPERATURE RISE SHOULD BE 30°C MAX
 - 4-2 INSULATION RESISTANCE(IIR):100 MEGOHMS MIN.
 - 4-3 DIELECTRIC WITHSTANDING VOLTAGE : N/A
 - 4-4 CONTACT RESISTANCE: 100 MILLIOHMS MAX
- COMPLIANT TO RoHS DIRECTIVE 2002/95/EC AND ELV 2000/53/EC.
- PRODUCT PACKING: PK-47219-001.
- PRODUCT SPECIFICATION: PS-47219-001.



RECOMMENDED PCB LAYOUT

IN CASE OF STENCIL THICKNESS: 0.12MM OPEN RATIO IS 100%.
 IN CASE OF STENCIL THICKNESS : 0.1MM OPEN RATIO IS 100% MINIMUM.
 (0.08MM STENCIL THICKNESS CAN NOT BE RECOMMENDED)

REVISED	EC NO: SH2012-0233	2012/01/18	DESCRIPTION
	DRW:GLLI	2012/01/18	
	CHKD:XQZHANG	2012/01/18	
	APPR:AYIN	2012/01/20	
G	REV		

QUALITY SYMBOLS	$F_A=0$
	$F_C=0$
	$F_P=0$

GENERAL TOLERANCES (UNLESS SPECIFIED)	mm	INCH
	4 PLACES ± ---	± ---
	3 PLACES ± ---	± ---
	2 PLACES ± 0.15	± ---
	1 PLACE ± ---	± ---
	ANGULAR ± 3 °	
DRAFT WHERE APPLICABLE MUST REMAIN WITHIN DIMENSIONS		

DIMENSION STYLE		SCALE	DESIGN UNITS	THIRD ANGLE PROJECTION
MM ONLY		5:1	METRIC	
DRAWN BY	DATE	TITLE		
GLLI	2012/01/18	TFR READER HINGE TYPE		
CHECKED BY	DATE			
XQZHANG	2012/01/18			
APPROVED BY	DATE			
MATERIAL NO.		DOCUMENT NO.	SHEET NO.	
SEE TABLE		SD-47219-001	1 OF 1	
SIZE	THIS DRAWING CONTAINS INFORMATION THAT IS PROPRIETARY TO MOLEX INCORPORATED AND SHOULD NOT BE USED WITHOUT WRITTEN PERMISSION			
A3				

MOLEX INCORPORATED	
SD-47219-001	
1 OF 1	

9 8 7 6 5 4 3 2 1