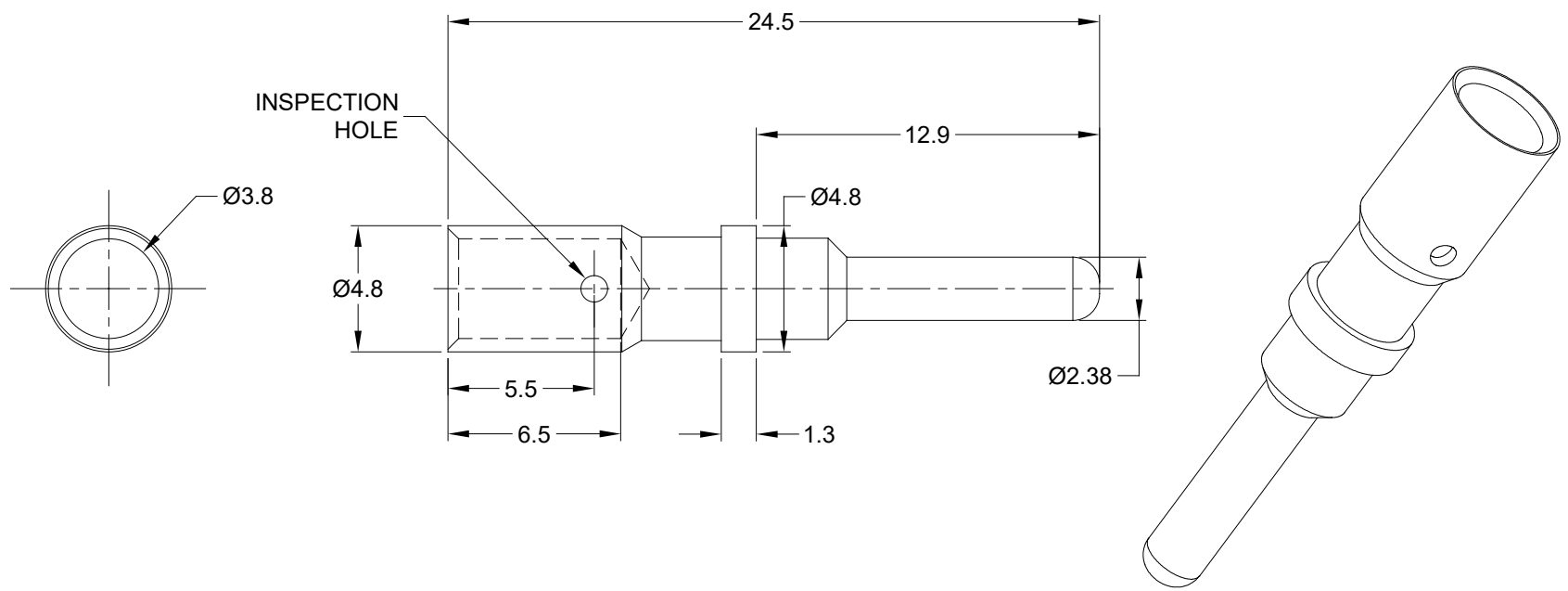


REVISIONS					
REV	ECO	DESCRIPTION	DATE	BY	APPR
A1	--	RELEASE NEW PRODUCT	17/JUN/19	PETER	TOMMY



NOTES: UNLESS OTHERWISE SPECIFIED

- MATERIAL: COPPER ALLOY; NICKEL PLATED
- CONTACT SIZE: 12
- SPECIFICATIONS:
  - CURRENT RATING: 25 AMP
  - CONTACT MILLIVOLT DROP: 60 MILLIVOLT DROP @ 25 AMP TEST CURRENT.
  - ROHS COMPLIANT
- RECOMMENDED WIRE RANGE: 10 - 12 AWG
- THIS CONTACT CAN ONLY BE USED IN THE ATP SERIES CONNECTOR.
- ALL DIMENSIONS ARE FOR REFERENCE USE ONLY

AT60-204-12141-10		DESCRIPTION		ITEM
PART NUMBER		DESCRIPTION		ITEM
QUANTITY	MATERIALS LIST			
UNLESS OTHERWISE SPECIFIED 1) All dimensions are in metric(mm). 2) Tolerances are as follows: 1 PL DEC ±0.30 2 PL DEC ±0.15 3 PL DEC ±0.08 3) Note reference = $\triangle$		SIGNATURES		DATE
		DRAWN: PETER.YANG		17/JUN/19
		CHECKED: ORION.LI		17/JUN/19
		ENGINEER:		
		APPROVAL: TOMMY.XIE		17/JUN/19
MATERIAL SPECIFICATIONS:		CUSTOMER:		
PROCESS SPECIFICATIONS:		THIS DRAWING IS SUPPLIED FOR INFORMATION ONLY. DESIGN FEATURES, SPECIFICATIONS AND PERFORMANCE DATA SHOWN HEREON ARE THE PROPERTY OF THE AMPHENOL CORPORATION. NO RIGHTS OF REPRODUCTION ARE IMPLIED. ALL DIMENSIONS ARE SUBJECT TO NORMAL MANUFACTURING VARIATIONS.		
NEXT ASSY:		SCALE: NONE		
		SIZE: A	TYPE: C-	REVISION: A1
		DWG NO: AT60-204-12141-10		
		SHEET 1 OF 1		

**Amphenol**  
Sine Systems - www.amphenol-sine.com  
44724 Morley Drive  
Clinton Township, MI 48036

CONTACT, PIN, SOLID, SIZE 12,  
10-12 AWG, ATP SERIES