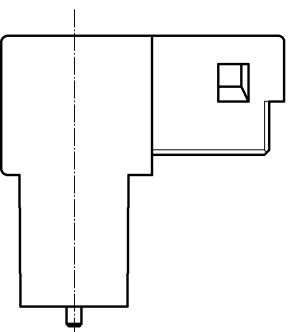
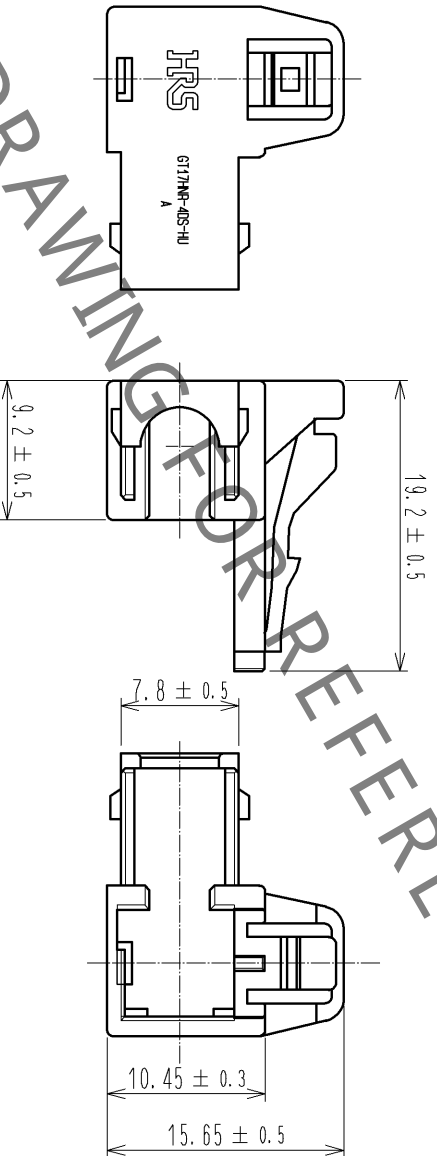
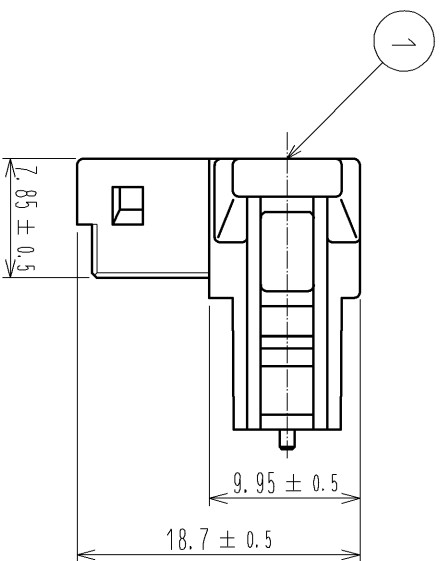


ELEV. RoHS COMPLIANT



HRS DRAWING FOR REFERENCE

1	PBT	DARK GRAY					
NO.	MATERIAL	FINISH .	REMARKS	NO.	MATERIAL	FINISH .	REMARKS
UNITS		SCALE	COUNT	DESCRIPTION OF REVISIONS	DESIGNED	CHECKED	DATE
mm		2 : 1					
APPROVED : NH. NAKATA		DRAWING NO.		EDC4-169330-00			
CHECKED : NH. NAKATA		PART NO.		GT17HNR-4DS-HU			
DESIGNED : TS. KUBOTA		DRAWING NO.		CL767-0293-6-00			
DRAWN : TS. KUBOTA		DRAWING NO.					