

Ratings
 Voltage: 150 V
 Temperature: -40~70 °C

Conductor
 Conductor count: 9
 Gauge: 22 AWG 0.33 mm²
 Material: Tinned copper strands
 Strand size: $\varnothing 0.08 \times 65$
 Resistance at 20 °C: 59.4 Ω /km max

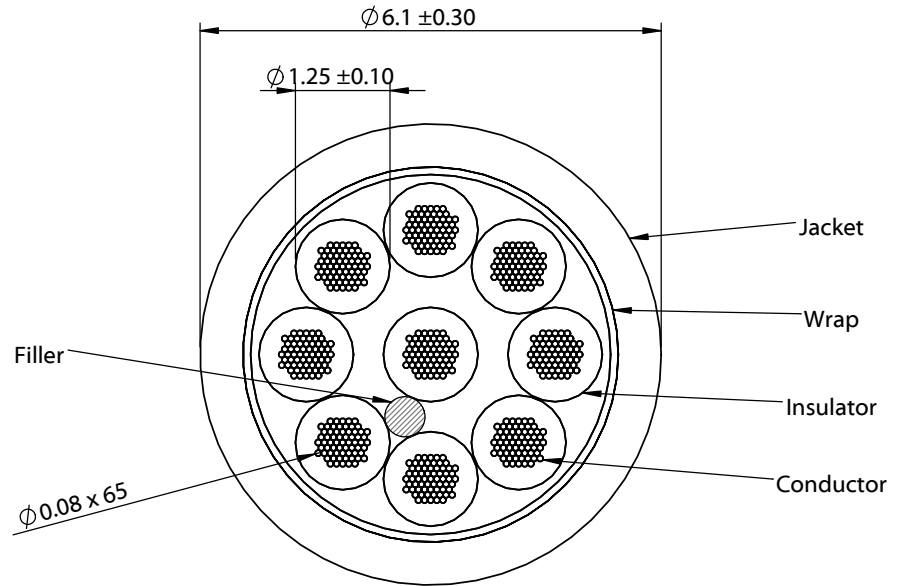
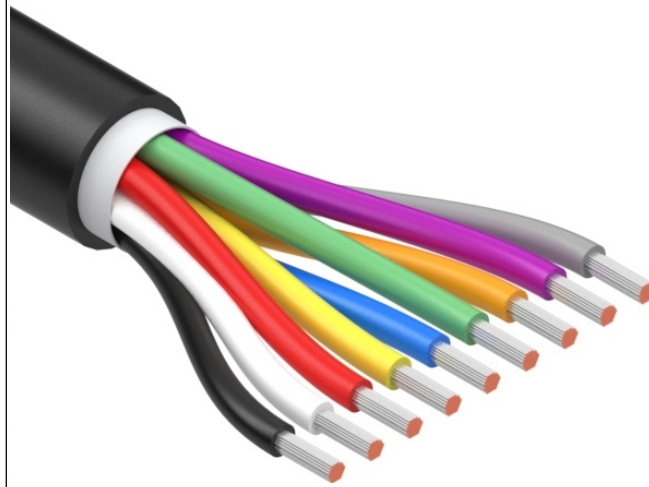
Insulator
 Material: HDPE
 Color: white, black, red, yellow, blue, green, orange, purple, gray
 Diameter: $\varnothing 1.25 \pm 0.10$ mm
 Nominal thickness: 0.24 mm
 Resistance at 20 °C: 100 M Ω /km min

Wrap
 Material: cotton paper

Filler
 Material: aramid fiber

Outer jacket
 Material: TPU
 Color: black
 Diameter: $\varnothing 6.1 \pm 0.30$ mm
 Nominal thickness: 0.70 mm

Tests
 Tensile strength: 26 kgf min
 Dielectric test: 1500 V dc for 1 minute without breakdown
 Bend test at 200 g, $\pm 60^\circ$, 30 cycles /min: 15,000 cycle minimum



Revision:	Date:	Description:
A	9/7/2022	Initial release

Prepared: **PB**
Digitally signed by PB
 Date: 2022.09.20
 09:51:26 -07'00'

Verified: **MP**
Digitally signed by MP
 Date: 2022.09.21
 08:25:25 -07'00'

Dimensions are in millimeters.
 Tolerances:
 X: ± 0.5 mm
 X.X: ± 0.3 mm
 X.XX: ± 0.05 mm

Notes:
 RoHS compliant
 Jacket meets ISO 10993 Biological Compatibility
 Phthalate and halogen free
 Function test: no open, no short, no intermittent

Description:
 Wire, 9C TS, 22 AWG, 150V, 70C, 6.1 mm, TPU, 75A, WBL

TENSILITY

tel 1.541.323.3228 800 877.670.7118
 fax 1.541.323.4202 web tensility.com

Size: A	Part number: 30-02688
Scale: 10:1	Sheet 1 of 1