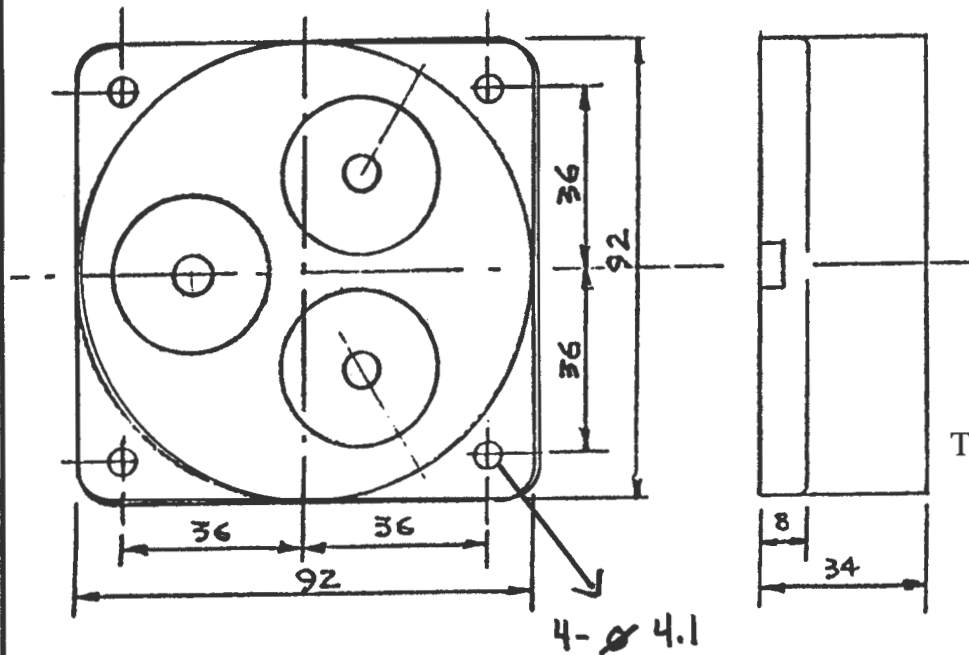


# PIEZO SOUNDER

## BPS9234S Series

### SPECIFICATIONS



TOLERANCE: +/- 0.2MM

Model No.	BPS9234S-12	BPS9234S-24
Rated Voltage (V)	12	24
Operating Vltge (V)	6 - 15	16 - 28
Current @ Rated Vltge. (mA)	300	150
Output @ Rated Vltge (dB/1m)	115	
Frequency (KHz)	2.8	
Temperature (C)	-20 to +70	

Tone Features	Continuous	Terminals 1,2,3, open
	Pulse	Terminals 1,2 short
	Siren	Terminals 1,3 short

INTERVOX  
**International** ©

INTERNATIONAL COMPONENTS CORPORATION  
 215 MCCORMICK DRIVE, BOHEMIA, NY 11716  
 FAX: 631-952-9595 FAX: 631-952-9597

Title  
**Piezo Sounder**

Intervox Model #  
**BPS9234S**

Rev  
**A**

Scale

Date

Sheet 1 of 1