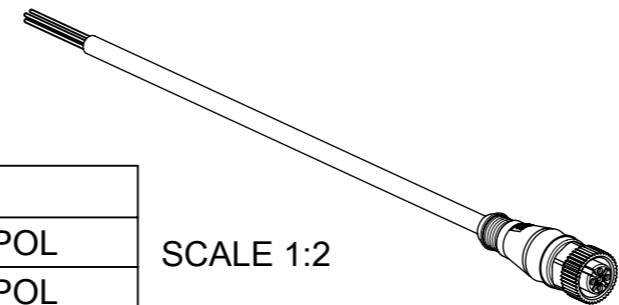


TABLE 1

POL	MATERIAL-NO.	ENGINEERING-NR.	L [mm]	TOLERANCE [mm]
4 POL	1200652388	804000B30M010R	1000	+20mm /-10mm
	1200652389	804006B30M020R	2000	±25mm
	1200652390	804006B30M030R	3000	±25mm
	1200652391	804006B30M040R	4000	±25mm
	1200652392	804006B30M050R	5000	±25mm
8 POL	1200652393	808000B41M010R	1000	+20mm /-10mm
	1200652394	808000B41M020R	2000	±25mm
	1200652395	808000B41M030R	3000	±25mm
	1200652396	808000B41M040R	4000	±25mm
	1200652397	808000B41M050R	5000	±25mm

CONNECTOR SPECIFICATION / Steckverbindungs-Eigenschaften		
VOLTAGE RATING/Betriebsspannung	250V AC/DC	4 POL
	30V AC/DC	8 POL
AMPERAGE RATING/Bemessungsstrom	max. 4 AMPS (40°C)	4 POL
	max. 2 AMPS (40°C)	8 POL
PROTECTION/IP-Schutzart	IP67	4 + 8 POL
OPERATING TEMPERATURE/Temperaturbereich	max. -40°C TO +90°C	4 + 8 POL

SCALE 1:2



POS.	DESCRIPTION	MATERIAL	FINISH
1	INSERT FEMALE	PUR	BLACK
2	CONTACT FEMALE	BRASS (8P)	GOLD OVER NICKEL
		COPPER ALLOY (4P)	
3	GASKET	FPM	RED
4	NUT	BRASS	NICKEL PLATED
5	OVERMOULD	TPU	RED
6	CABLE	PUR	BLACK

QUALITY SYMBOLS ◻ = 0 ◻ = 0 ◻ = 0 ◻ = 0 ◻ = 0 ◻ = 0 ◻ = 0 ◻ = 0 ◻ = 0 ◻ = 0 ◻ = 0 ◻ = 0	THIS DRAWING CONTAINS INFORMATION THAT IS PROPRIETARY TO MOLEX ELECTRONIC TECHNOLOGIES, LLC AND SHOULD NOT BE USED WITHOUT WRITTEN PERMISSION		DIMENSION UNITS mm	SCALE 2:1			
	EC NO.: 104087 DRWN: ULETTENMEIER CHK'D: CBRUNS APPR: CBRUNS	2016/04/06 2016/04/07 2016/04/07	GENERAL TOLERANCES (UNLESS SPECIFIED) ANGULAR TOL ± 1.0 ° 4 PLACES ± 3 PLACES ± 2 PLACES ± 0.05 1 PLACE ± 0.3 0 PLACES ± 0.5	DRWN BY EJESKE		DATE 2015/11/04	CSE M12 4P AC FE STR PUR 1M SE UNSH BK BRASS AU
	DRAFT WHERE APPLICABLE MUST REMAIN WITHIN DIMENSIONS		APPR BY RSILLER	DATE 2015/12/02		PRODUCT CUSTOMER DRAWING	
	A1	REV	DRAFTING SIZE A3	THIRD ANGLE PROJECTION		SERIES 120065	MATERIAL NUMBER SEE TABLE 1
RELEASE STATUS P1 RELEASE DATE 2016/04/07 10:04:41		DOCUMENT NUMBER 1200652388		DOC TYPE PSD	DOC PART 000	SHEET NUMBER 1 OF 1	