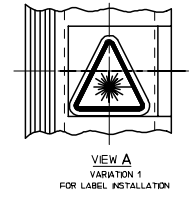
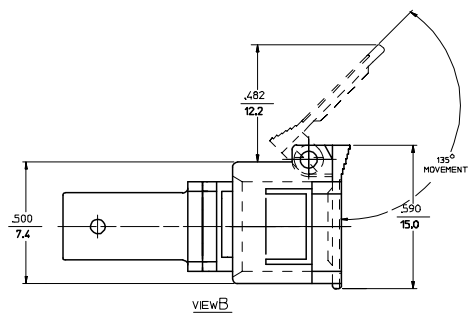
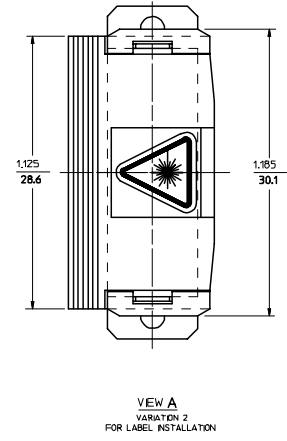
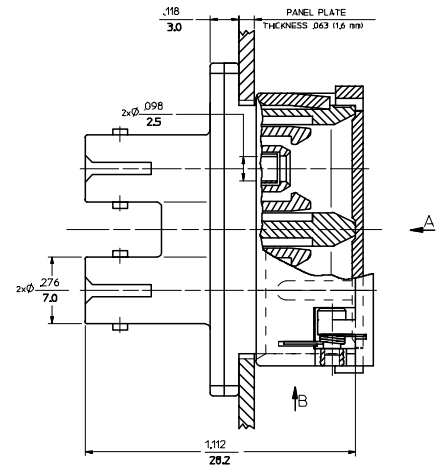
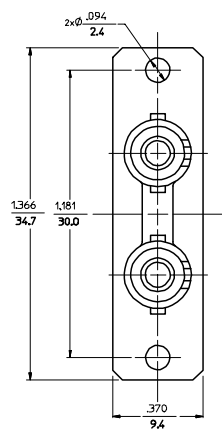
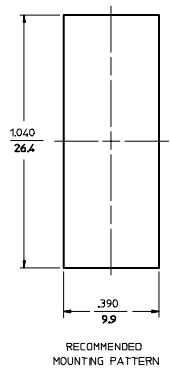


ADAPTER		SC-ST DUPLEX ADAPTER W/O MOUNTING PLATE		SHIELD ASSEMBLY	
P/N	P/N	COLOR	SLEEVE MATERIAL	P/N	COLOR
106166-500	106166-0200	BLUE	2R	106166-0200	BLUE
106167-500	106167-0200		PHOSPHOR BRONZE		
106166-510	106166-0210	BEIGE	2R	106166-0210	BEIGE
106167-510	106167-0210		PHOSPHOR BRONZE		
106166-530	106166-0230	BLACK	2R	106166-0230	BLACK
106167-530	106167-0230		PHOSPHOR BRONZE		



NOTES:
1. LABEL MUST BE INSTALLED AND ORIENTED BY CUSTOMER (SEE VIEW A).
2. DUST CAPS ARE NOT SHOWN, BUT INCLUDED.

ENTER DESCRIPTION EC NO: MF2006-0237 DRAWN: P. BILIN 2005/11/29 CHKD: CHKCD 2005/11/29 APPR: L. GUMIN 2005/11/29	QUALITY SYMBOLS	GENERAL TOLERANCES (UNLESS SPECIFIED)	DIMENSION STYLE	SCALE	DESIGN UNITS	THIRD ANGLE PROJECTION															
	▽=0 ▽=0	<table border="1"> <tr> <th></th> <th>mm</th> <th>INCH</th> </tr> <tr> <td>4 PLACES</td> <td>± .15</td> <td>± .005</td> </tr> <tr> <td>3 PLACES</td> <td>± .25</td> <td>± .010</td> </tr> <tr> <td>2 PLACES</td> <td>± .38</td> <td>± .015</td> </tr> <tr> <td>1 PLACE</td> <td>± .51</td> <td>± .020</td> </tr> </table>		mm	INCH	4 PLACES	± .15	± .005	3 PLACES	± .25	± .010	2 PLACES	± .38	± .015	1 PLACE	± .51	± .020	IN/MM	4:1	INCH	
		mm	INCH																		
	4 PLACES	± .15	± .005																		
3 PLACES	± .25	± .010																			
2 PLACES	± .38	± .015																			
1 PLACE	± .51	± .020																			
DESCRIPTION	<table border="1"> <tr> <th>mm</th> <th>INCH</th> </tr> <tr> <td>ANGULAR</td> <td>± 1/2°</td> </tr> </table>	mm	INCH	ANGULAR	± 1/2°	DRAWN BY: RPAC (FIC) DATE: 2005/10/11 CHECKED BY: DATE: _____ APPROVED BY: DATE: _____	TITLE	SC-ST DUPLEX ADAPTER WITH SHIELD													
mm	INCH																				
ANGULAR	± 1/2°																				
REV		DRAFT WHERE APPLICABLE MUST REMAIN WITHIN DIMENSIONS	MATERIAL NO.	SD-10616X-15X0	MOLEX MOLEX INCORPORATED	SHEET NO. 1 OF 01															
			SIZE D	THIS DRAWING CONTAINS INFORMATION THAT IS PROPRIETARY TO MOLEX INCORPORATED AND SHOULD NOT BE USED WITHOUT WRITTEN PERMISSION																	