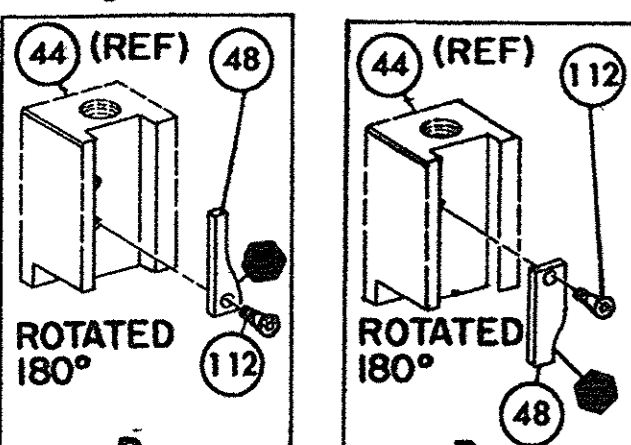


PRE-FEED  
1 1/8" STROKE

POST-FEED  
1 5/8" STROKE



ROTATED 180°

NOTES:

1- ONLY THE ITEMS WITH QUANTITIES SPECIFIED ON PARTS LIST ARE USED ON THIS APPLICATOR.

△ USED IN PLACE OF ITEM 38 WHEN INSULATION CRIMP IS NOT USED.

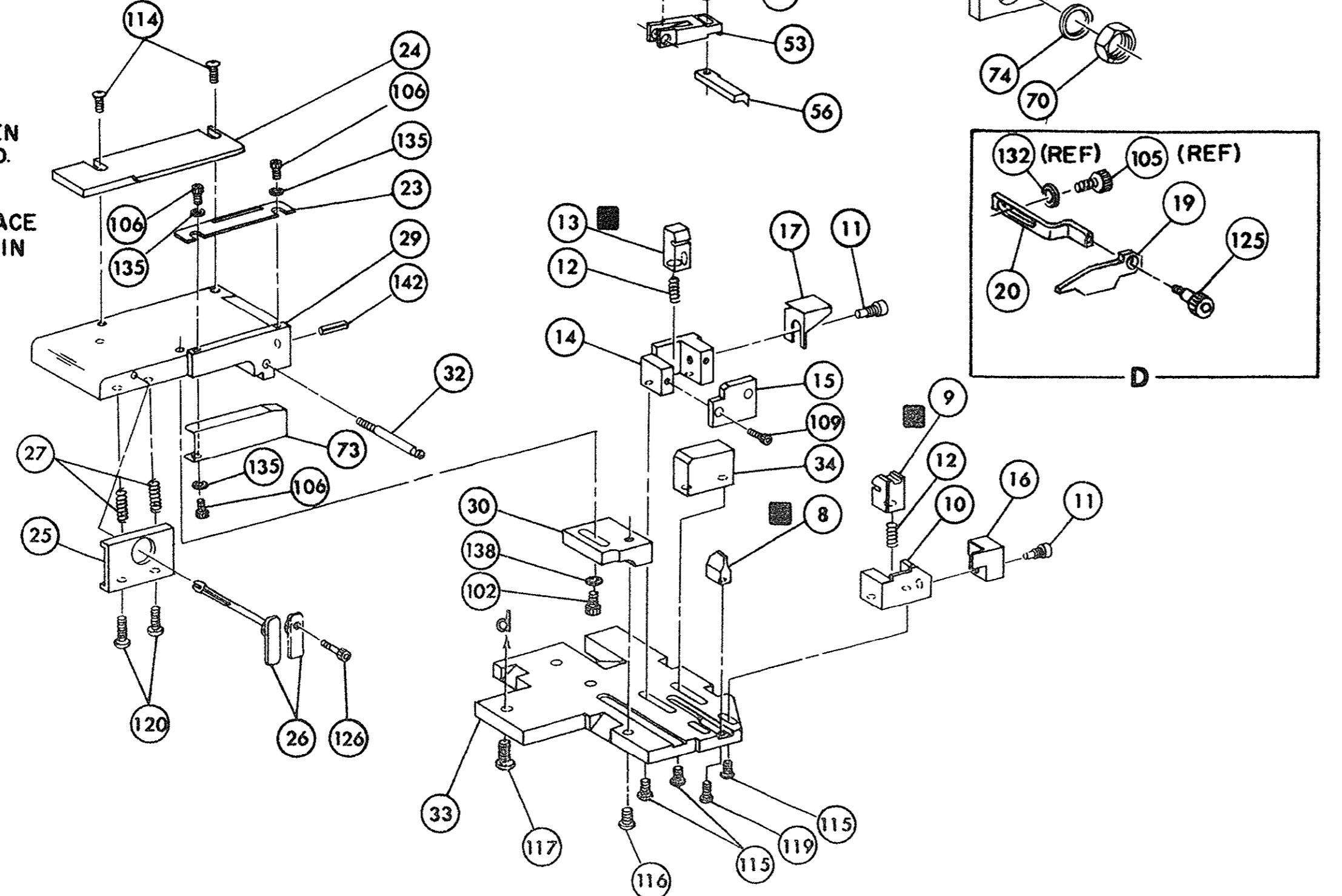
△ GUARD MUST BE IN PLACE WHEN OPERATING APPLICATOR IN AMP-O-LECTRIC PRESS.

KEY:

■ -RECOMMENDED SPARE PARTS

△ -LUBRICATE DAILY USING NO. 20 MACHINE OIL.

⊕ GREASE LIGHTLY



REF	QTY	PART NO	DESCRIPTION	ITEM NO
REF		21045-3	RING, RETAINING 'C' (.187 DIA) FEED FINGER PIN	145
REF		454220-1	CAP, HOUSING	59
REF		454485-1	HOUSING	58
REF		5-21028-1	PIN, SLOT SPR (.125 DIA X .50) ADJ ROD	143
REF		4-21028-0	PIN, SLOT SPR (.093 DIA X .75) STR G PLATE	142
REF		1-21030-1	PIN, DOWEL (.187 DIA X .50) LEVER	141
REF		1-21030-6	PIN, DOWEL (.187 DIA X 1.25) HOUSING	140
REF		21024-5	WASHER, LOCK (NO 10) LUB ASSY	139
REF		21024-5	WASHER, LOCK (NO 10) STRIP GUIDE ADJ BLOCK	138
REF		21024-5	WASHER, LOCK (NO 10) ADJ PLATE	137
REF		21024-5	WASHER, LOCK (NO 10) FEED GUIDE ROD	136
REF		21024-2	WASHER, LOCK (NO 4) FRONT STRIP GUIDE	135
REF		21024-4	WASHER, LOCK (NO 8) FEED FINGER	134
REF		21024-4	WASHER, LOCK (NO 8) DEPRESSOR	133
REF		21024-4	WASHER, LOCK (NO 8) STRIPPER	132
REF		21899-4	WASHER, FLAT (5/16 DIA) SCREW ADJ	131
REF		21899-2	WASHER, FLAT (NO 10) LUB ASSY	130
REF		21018-5	NUT, HEX MACH (6-32) HOLDDOWN	129
REF		21018-5	NUT, HEX MACH (6-32) FEED ADJ	128
REF		22353-8	SCR, SHLD. (.187 DIA X .250 LG) DRAG LEVER	126
REF		456567-1	SCR, SHLD. (.188 DIA X .125 LG) STRIPPER	125
REF		21009-2	SCR, SKT SET (1/4-20 X .25) (LOC-WEL) RAM	124
REF		21017-2	SCREW, DRIVE (#2 X .19)	123
REF		6-23715-4	SCR, PIN HD MACH (6-32 X 1.25) FEED ADJ	122
REF		461264-1	PLATE, IDENTIFICATION	121
REF		3-21002-0	SCR, BUT HD SKT CAP (10-32 X .88) DRAG	120
REF		22733-8	SCR, BUT HD SKT CAP (8-32 X .38) (LOC-WEL) ANVIL	119
REF		2-21002-9	SCR, BUT HD SKT CAP (10-32 X .75) CAP	118
REF		2-22733-8	SCR, BUT HD SKT CAP (1/4-20 X .62) HOUSING	117
REF		2-21002-7	SCR, BUT HD SKT CAP (10-32 X .50) SG ADJ BLOCK	116
REF		4-21002-2	SCR, BUT HD SKT CAP (8-32 X .50) SHEAR	115
REF		2-21002-2	SCR, BUT HD SKT CAP (8-32 X .50) R STRIP GUIDE	114
REF		1-21002-7	SCR, BUT HD SKT CAP (6-32 X .38) CAM	112
REF		3-21000-4	SCR, SKT HD CAP (10-32 X .38) LUBRICATOR ASSY	111
REF		23030-1	SCR, SKT HD CAP (6-32 X .25) (LOC-WEL) CP DISC	110
REF		2-21000-7	SCR, SKT HD CAP (6-32 X .50) REAR SHEAR PLATE	109
REF		2-21000-7	SCR, SKT HD CAP (8-32 X .50) DEPRESSOR	108
REF		2-22603-0	SCR, HEX HD MACH (8-32 X .31) FEED FINGER	107
REF		1-21000-3	SCR, SKT HD CAP (4-40 X .25) F STRIP GUIDE	106
REF		2-21000-7	SCR, SKT HD CAP (8-32 X .50) STRIPPER	105
REF		3-21000-6	SCR, SKT HD CAP (10-32 X .75) FEED ROD GUIDE	104
REF		3-21000-6	SCR, SKT HD CAP (10-32 X .62) FEED ADJ BLOCK	103
REF		3-21000-4	SCR, SKT HD CAP (10-32 X .38) SG ADJ BLOCK	102
REF		3-21000-4	SCR, SKT HD CAP (10-32 X .38) PIVOT BLOCK	101
REF		455749-1	GUARD WINDOW	79
REF		1-465184-0	LUBRICATOR ASSY	78
REF		852931-2	OIL, LUBRICATING	77
REF		458109-1	WASHER, SPECIAL	76
REF		454877-3	PLATE, STRIP GUIDE COVER	75
REF		690603-1	SPRING, ASSIST	74
REF		690517-1	SPACER	72
REF		22594-8	NUT, HEX	70
REF		240628-1	PLATE, ADJUSTMENT	69
REF		240626-1	SHAFT, PIVOT	68
REF		240633-1	BUSHING	67
REF		455680-1	LEVER, INTERMEDIATE	66
REF		240629-1	BLOCK, PIVOT	65
REF		240632-2	SCREW, ADJUSTMENT FEED ROD	64
REF		240659-3	PIN, CAM ROLLER	63
REF		240658-1	ROLLER, CAM	62
REF		454398-2	ROD, FEED	61
REF		454178-1	GUIDE, FEED ROD	60
REF		454220-1	CAP, HOUSING	59
REF		454485-1	HOUSING	58
REF		690542-Z	PAWL, FEED	57
REF		240624-1	PIN, FEED FINGER	56
REF		691499-1	SPRING, FEED FINGER	55
REF		690541-1	FINGER, FEED	54
REF		455679-1	LEVER, TERMINAL FEED ARM	53
REF		811242-Z	BUMPER, HOLDDOWN	52
REF		690753-1	SPACER, TONKER	51
REF		7-21002-9	BOLT, CRIMPER	50
REF		690602-5	CAM PRE FEED 1/8 STROKE	49
REF		459456-1	APPLICATOR, BASIC (SUB ASSY)	47
REF		690191-1	PLUG, NYLON	46
REF		455673-1	RAM	45
REF		690125-1	WASHER, LAMINATED	44
REF		690124-1	WASHER, RAM	43
REF			DISC, SPACER	42
REF			BALL, STEEL	41
REF		23241-6	SPRING, COMPRESSION	40
REF		690170-1	DISC, INSULATION	39
REF		690142-4	DISC, WIRE	38
REF		3-690692-2	WASHER, SPRING	37
REF		22480-5	POST, RAM	36
REF		690212-1	SUPPORT, TERMINAL	35
REF		690786-1	PLATE, BASE	34
REF		455675-1	SCREW, ADJUSTMENT	33
REF		690432-3	BLOCK, STRIP GUIDE ADJ	31
REF		455671-1	PLATE, STRIP GUIDE	30
REF		1-455888-0	SPACER, FRONT SHEAR DEPRESSOR	29
REF		1-22284-0	SPRING, DRAG	28
REF		690546-1	LEVER, DRAG RELEASE	27
REF		240792-1	DRAG, STOCK	26
REF		6-690504-4	GUIDE STRIP (REAR)	25
REF		690438-1	GUIDE, STRIP (FRONT)	24
REF			SPRING, FEED RETURN	23
REF		4-22284-9	ARM, STRIPPER	22
REF		458750-1	STRIPPER	21
REF		458949-1	HOLDER, TERMINAL	20
REF			GUARD, CHIP (REAR)	19
REF		691667-1	GUARD, CHIP (FRONT)	18
REF			PLATE, SHEAR (REAR)	17
REF			HOLDER, SHEAR (REAR)	16
REF			SHEAR, FLOAT (REAR)	15
REF			SPRING, SHEAR	14
REF			STOP, SHEAR	13
REF			SHEAR, FLOAT (FRONT)	12
REF			ANVIL	11
REF			SPACER, DEPRESSOR (REAR)	10
REF			DEPRESSOR, SHEAR (REAR)	9
REF			DEPRESSOR, SHEAR (FRONT)	8
REF			SPACER, TUBULAR, INS CRIMPER	7
REF			CRIMPER, INSULATION	6
REF			CRIMPER, WIRE	5
REF			CRIMPER, INSULATION	4
REF			CRIMPER, WIRE	3
REF			CRIMPER, INSULATION	2
REF			CRIMPER, WIRE	1

CRIMPING DATA				APPLICATOR WILL APPLY	
PAD LTR	CRIMP HEIGHT	WIRE SIZE	STRIP LENGTH		
A	NOT	USED			530151
B	.033	24			530551
C	NOT	USED			530553
D	NOT	USED			531216
					531224
					1443234

CRIMP	SIZE	TYPE	FEED	APPL INST
WIRE	.042	F	.300	A18040
INSUL	.055	O		

WIRE RANGE 26-22 INSULATION RANGE PRESS NO 036-054 DIA 56S435-S

REMARKS: AMP-O-LECTRIC PRE FEED

IBM APPLICATOR

TAG REF 461264-1

REVISION RECORD	APP DATE	REVISION RECORD	APP DATE
P F LTR		P F LTR	

REVISION RECORD	APP DATE	REVISION RECORD	APP DATE
P F LTR		P F LTR	

REVISION RECORD	APP DATE	REVISION RECORD	APP DATE
P F LTR		P F LTR	

THIS DRAWING IS A CONTROLLED DOCUMENT FOR THE USE OF AMP PERSONNEL ONLY. IT IS THE PROPERTY OF AMP INCORPORATED AND IS NOT TO BE REPRODUCED OR TRANSMITTED IN ANY FORM OR BY ANY MEANS, ELECTRONIC OR MECHANICAL, INCLUDING PHOTOCOPYING, RECORDING, OR BY ANY INFORMATION STORAGE AND RETRIEVAL SYSTEM. ANY UNAUTHORIZED REPRODUCTION OR USE OF THIS DRAWING IS PROHIBITED AND WILL BE PROSECUTED TO THE FULL EXTENT OF THE LAW.

THIS DRAWING IS A CONTROLLED DOCUMENT FOR THE USE OF AMP PERSONNEL ONLY. IT IS THE PROPERTY OF AMP INCORPORATED AND IS NOT TO BE REPRODUCED OR TRANSMITTED IN ANY FORM OR BY ANY MEANS, ELECTRONIC OR MECHANICAL, INCLUDING PHOTOCOPYING, RECORDING, OR BY ANY INFORMATION STORAGE AND RETRIEVAL SYSTEM. ANY UNAUTHORIZED REPRODUCTION OR USE OF THIS DRAWING IS PROHIBITED AND WILL BE PROSECUTED TO THE FULL EXTENT OF THE LAW.