




Part Number: CR1506Lo25YN8WP-GDA

Description: 15x06x2.5 waterproof speaker with front gasket

Specification Approval

	Name & Position	Signature	Company	Date
Created by	Lionel Francois – Project manager		Seltech	2022/03/01
Verified by			Seltech	
Approved by			Seltech	

Customer Verification

	Name & Position	Signature	Company	Date
Verified by				
Approved by				

Revision

Date	Version	Modified by	Changes
2022/03/01	Vo.1	Lionel	First release
2022/03/03	Vo.2	Lionel	Add speaker orientation requirements in packaging
2022/04/21	Vo.3	Lionel	Update gasket thickness
2022/09/02	Vo.4	WG	Update gasket design

Contents

1.	Material List	2
2.	Mechanical Characteristics	2
2.1.	Mechanical Drawing	2
2.1.1.	3D overview	2
2.1.2.	Assembly 2D drawing.....	2
2.1.3.	Exploded view	3
2.1.4.	Gasket 2D drawing	3
3.	Other Technical information.....	3
4.	Packaging	4
5.	Related document.....	4

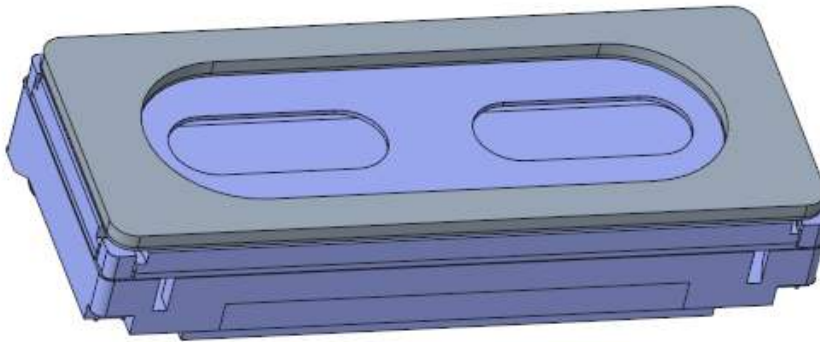
1. Material List

S/N	Item Number	Description	Usage (PCS)
1	CR1506L025YN8WP	IPx8 dynamic loudspeaker	1
2	GASKET6X15-6	Compressible foam with double side adhesive	1

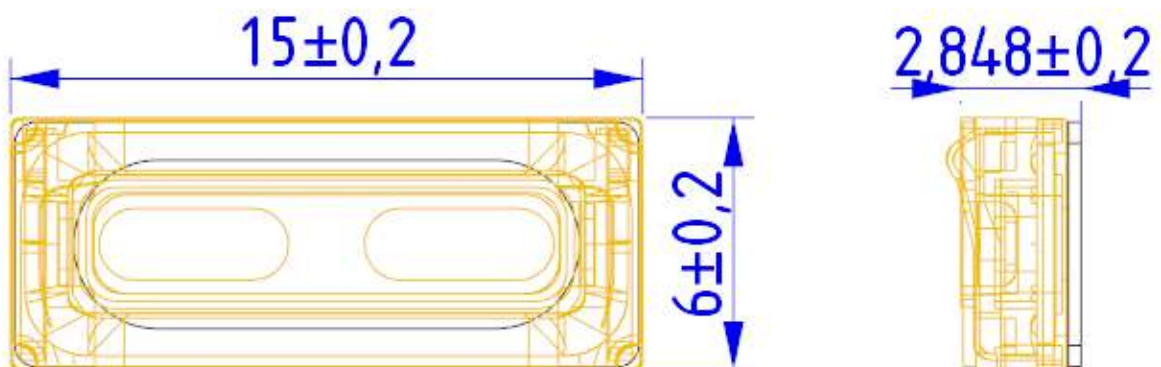
2. Mechanical Characteristics

2.1. Mechanical Drawing

2.1.1. 3D overview



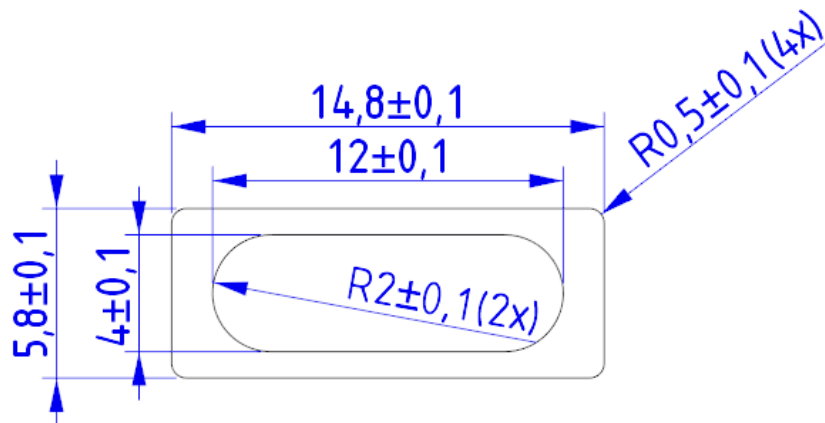
2.1.2. Assembly 2D drawing



2.1.3. Exploded view



2.1.4. Gasket 2D drawing



Gasket thickness: 0.348mm before compression

3. Other Technical information

IP rating of the speaker	IPx8 – 1.5m
Rated Impedance	8Ω
Rated Input Power	0.5W in 2cc box
Maximum Power	0.7W in 2cc box
Operation temperature	-20°C to +70°C
Shelf life	2 years

4. Packaging

100 pieces per tray – 28 trays per carton – 2800 pieces per carton

Speaker is facing down (gasket facing the bottom of the package)

Speaker oriented in the same direction:



5. Related document

CR1506L025YN8WP datasheet