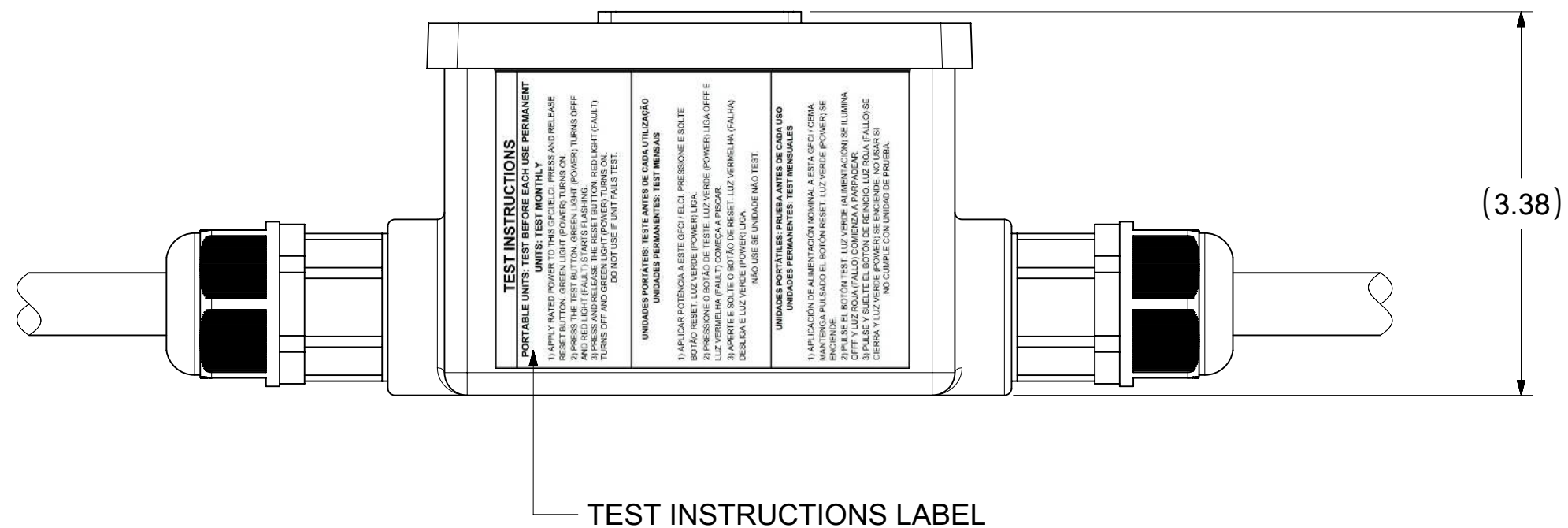
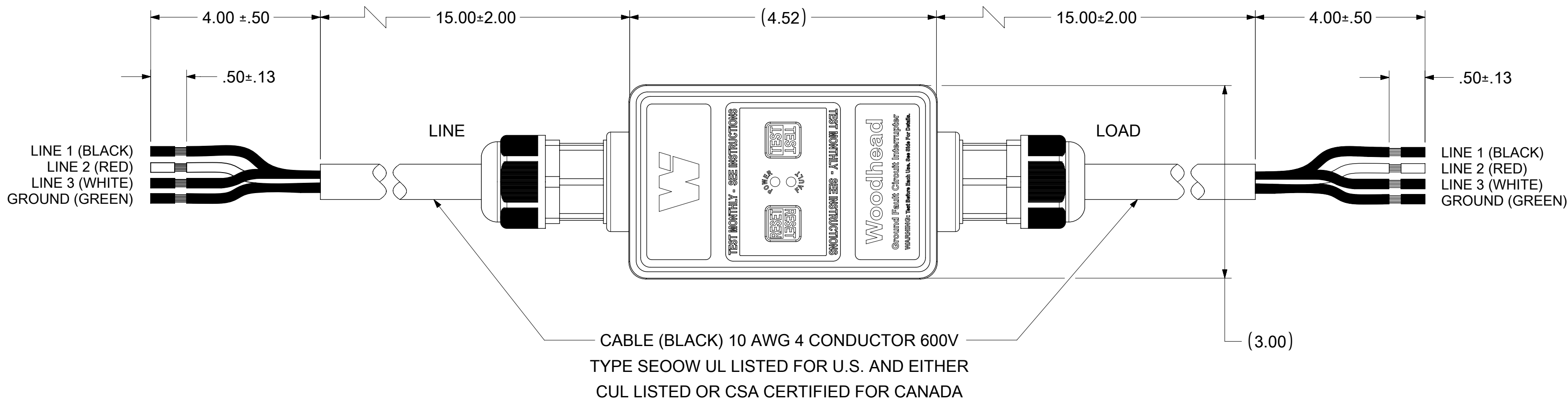


THREE PHASE (NO NEUTRAL) (208 / 240 VOLTS) (4-WIRE)



TECHNICAL

LISTED: UL & CSA
 RATED SUPPLY VOLTAGE: 208/204VAC
 RATED CURRENT: UP TO 30 AMPS
 RESET TYPE: AUTOMATIC OR MANUAL
 OPERATING FREQUENCY: 60 Hz
 TYPE: CLASS A
 GROUND TRIP CURRENT: 5mA +/- 1mA
 OVERLOAD CURRENT: 180 AMPS, 0.45PF
 INSULATION VOLTAGE: 1,500 VRMS - 1 MINUTE
 ENDURANCE OPERATIONS: 3000 OPERATIONS
 ENCLOSURE: NEMA 4X/6P

| RESET TYPE | MATERIAL NO. | ENGINEERING NO. | NORTH SHORE SAFETY NO | PHASE | RATED VOLTAGE |
|------------|--------------|-----------------|-----------------------|-------------|---------------|
| MANUAL | 1301530248 | 30053-0M3P | PGFI-730AN | THREE PHASE | 240 VAC |
| | 1301530249 | 30053-0M2P | PGFI-830AN | THREE PHASE | 208 VAC |
| AUTOMATIC | 1301530252 | 30053-0A3P | PGFI-731AN | THREE PHASE | 240 VAC |
| | 1301530253 | 30053-0A2P | PGFI-831AN | THREE PHASE | 208 VAC |

FUNCTIONAL SYMBOLS: THIS DRAWING CONTAINS INFORMATION THAT IS PROPRIETARY TO MOLEX ELECTRONIC TECHNOLOGIES, LLC AND SHOULD NOT BE USED WITHOUT WRITTEN PERMISSION

DIMENSION UNITS: INCH SCALE: NTS

GENERAL TOLERANCES (UNLESS SPECIFIED):

| | MM | INCH |
|----------|----|------|
| 4 PLACES | ± | ± |
| 3 PLACES | ± | ± |
| 2 PLACES | ± | ± |
| 1 PLACE | ± | ± |
| 0 PLACES | ± | ± |

ANGULAR TOL: ± °

DRAFT WHERE APPLICABLE MUST REMAIN WITHIN DIMENSIONS

THIRD ANGLE PROJECTION

DRAWING: C-SIZE

SERIES: 130153

EC NO: 664991
 DRWN: PPURSUTANDEL 2021/07/23
 CHK'D: DNGUYEN62 2021/07/28
 APPR: HKNEELAND 2021/07/29

INITIAL REVISION:
 DRWN: PPURSUTANDEL 2021/07/23
 APPR: HKNEELAND 2021/07/29

CURRENT REV DESC: MIGRATION TO ECTR/NX

molex

30A, 240VAC 3PHASE, 2' 10/4

PRODUCT CUSTOMER DRAWING

DOCUMENT NUMBER: 1301530248

DOC TYPE: PSD

DOC PART: 000

REVISION: B2

MATERIAL NUMBER: SEE TABLE

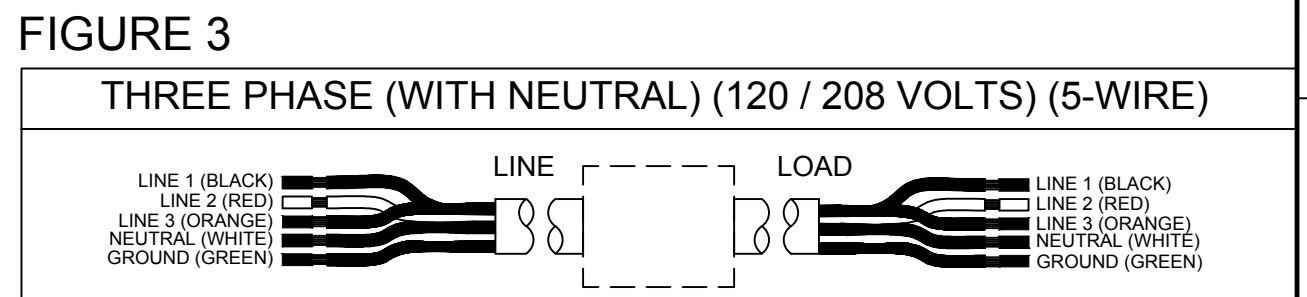
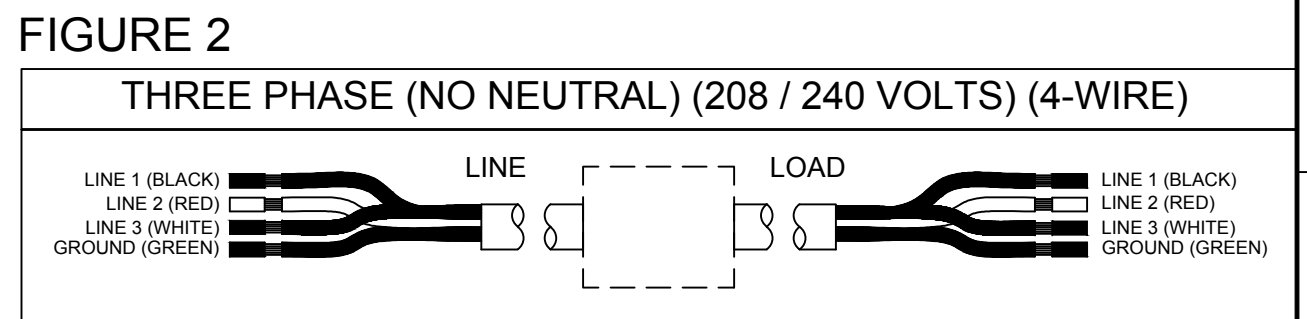
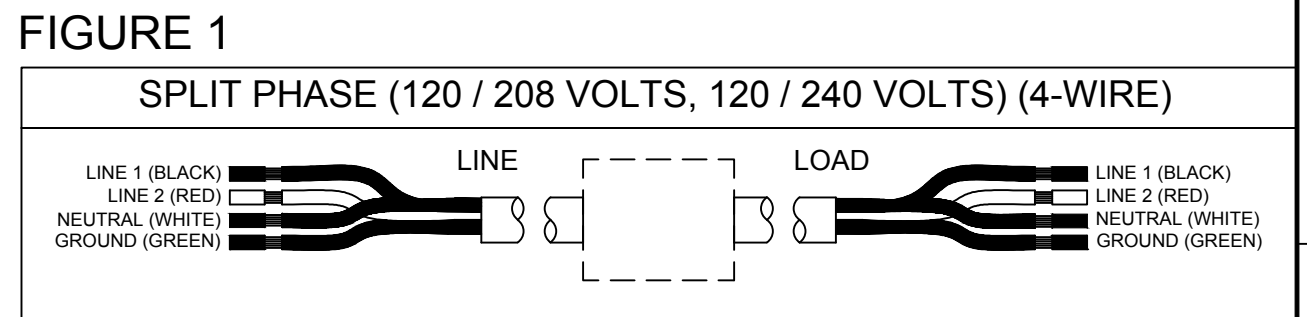
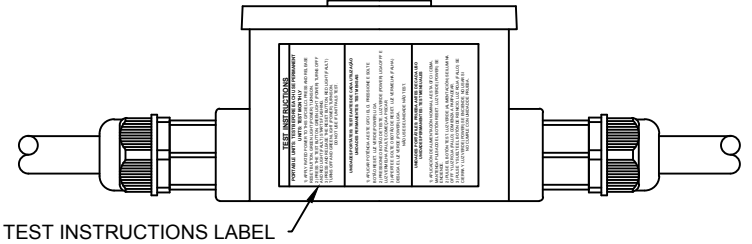
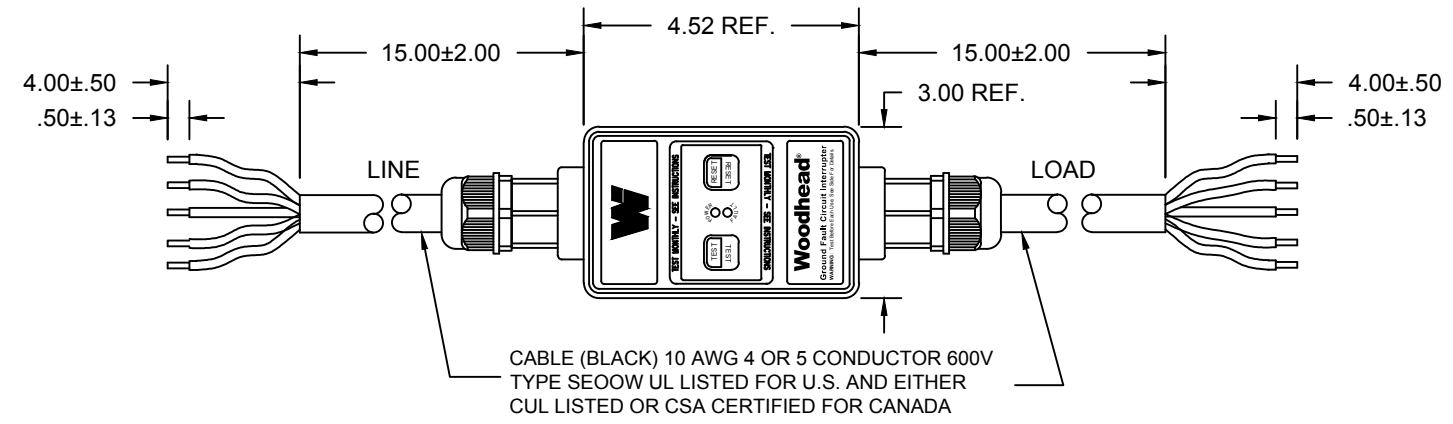
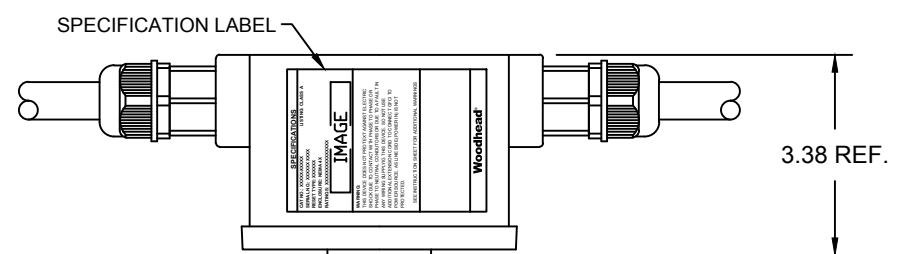
CUSTOMER: GENERAL MARKET

SHEET NUMBER: 1 OF 1

OLD DOCUMENT NO. SD-130153-040

TECHNICAL:
RATED VOLTAGE: 120VAC, 208VAC, 240VAC, 277VAC, 120/240VAC, 120/208VAC Dual Voltage, 120/208VAC 3Ø, 208VAC 3Ø, 240VAC 3Ø (277VAC non-U.L.)
OPERATING VOLTAGE RANGE: 85% TO 110% OF RATED
CURRENT: UP TO 30 AMPS OR WIRING DEVICE RATING
FREQUENCY: 60Hz, 50Hz (AVAILABLE non-UL)
TRIP LEVEL: 5 ± 1mA
PHASE: SINGLE, DUAL VOLTAGE, AND THREE-PHASE
RESPONSE TIME: 25 mS MAX. @500 OHM FAULT
DIELECTRIC WITHSTAND: 1500 VRMS ACROSS CONTACT
 4000 VRMS BETWEEN CONDUCTORS AND ENCLOSURE
SURGE WITHSTAND: 6000V IMPULSE, 0.5 MICROSECOND RISE TIME 100KHZ RINGING FREQUENCY WITH 40% DECAY PER CYCLE
OPERATING TEMPERATURE RANGE: -35°C TO +66°C (-31°F TO +151°F)
LEAKAGE CURRENT @ 93% HUMIDITY: ZERO
OVERLOAD CURRENT: 180 AMPS, 50% INDUCTIVE (25 CYCLES)
RF NOISE SUSCEPTIBILITY: NORMAL OPERATION WITH 0.5 VRMS INJECTED ON POWER LINE WITH FREQUENCIES UP TO 450 MHz
CURRENT FILTERS: SPECIFICALLY FILTERED TO MINIMIZE NUISANCE TRIPS IN WELDING, VARIABLE FREQUENCY DRIVE AND OTHER 'ELECTRICALLY NOISY' APPLICATIONS
LET GO LINE VOLTAGE: 60% OF RATED
GROUNDING NEUTRAL DETECTION: 2 OHMS OR LESS (ON APPLICABLE MODELS ONLY)

GENERAL:
CONSTRUCTION: INDUSTRIAL GRADE DESIGN
TYPE: CLASS A
POWER-UP TYPE: AUTO OR MANUAL
ENDURANCE: 5000 OPERATIONS MINIMUM AT RATED LOAD
OPEN NEUTRAL PROTECTION: TRIPS UPON LOSS OF NEUTRAL (ON APPLICABLE MODELS ONLY)
GROUNDING NEUTRAL PROTECTION: TRIPS IF GROUND AND NEUTRAL TOUCH AT LOAD SIDE (ON APPLICABLE MODELS ONLY)
POWER ON INDICATION: LIGHTED GREEN LED
POWER OFF INDICATION: BLINKING RED LED, PLUS OPTIONAL ANNUNCIATOR OF AC/DC OUTPUTS (ON APPLICABLE MODELS ONLY)
ENCLOSURE: NEMA 4X/P6
MOUNTING TYPE: PANEL, SURFACE AND PORTABLE
WIRING APPLICATION: 3,4,5 WIRE SINGLE, SPLIT, AND 3-PHASE
WIRING CONNECTIONS: PORTABLE (IN-LINE) AND PERMANENT (FIXED MOUNT) (SEE WIRING INSTRUCTIONS)
SWITCH INTERFACE: DOUBLE INSULATED
LATCHING MECHANISM: ELECTROMAGNETIC
FALSE TRIP DUE TO IMPACT: NONE
AGENCY APPROVAL: cULus, CSA, CSAus and cCSAus (U.L.943 and CSA C22.2 No. 144) (277VAC non-U.L.)



| RESET TYPE | MATERIAL NO. | ENGINEERING NO. | PHASE | FIGURE |
|------------|--------------|-----------------|------------------------|----------|
| MANUAL | 1301530247 | 30053-0M6P | SPLIT PHASE | FIGURE 1 |
| | 1301530248 | 30053-0M3P | THREE PHASE | FIGURE 2 |
| | 1301530249 | 30053-0M2P | THREE PHASE | FIGURE 2 |
| | 1301530250 | 30053-0M5P | THREE PHASE W/ NEUTRAL | FIGURE 3 |
| AUTOMATIC | 1301530251 | 30053-0A6P | SPLIT PHASE | FIGURE 1 |
| | 1301530252 | 30053-0A3P | THREE PHASE | FIGURE 2 |
| | 1301530253 | 30053-0A2P | THREE PHASE | FIGURE 2 |
| | 1301530254 | 30053-0A5P | THREE PHASE W/ NEUTRAL | FIGURE 3 |

UPDATED SPECS
 EC NO: IPG2014-1788
 DRWN: BARDEN 2014/04/14
 CHKD: HKNEELAN 2014/04/30
 APPR: JFMURPHY 2014/03/27

| | | | | | | | |
|--|---------------------------------------|---|-----------------|------------|--------------------------------------|--|----------------------------------|
| QUALITY SYMBOLS | GENERAL TOLERANCES (UNLESS SPECIFIED) | | DIMENSION STYLE | | SCALE | DESIGN UNITS | THIRD ANGLE PROJECTION |
| | mm | INCH | INCH | | NTS | INCH | |
| DRAFT WHERE APPLICABLE MUST REMAIN WITHIN DIMENSIONS | 4 PLACES | ±--- | ±--- | DRAWN BY | DATE | TITLE PORTABLE GFCI WITH LEADS 30AMP SPLIT & 3 PHASE #10/4&5 CABLE | MATERIAL NO. SEE CHART |
| | 3 PLACES | ±--- | ±.005 | BARDEN | 2014/01/07 | | |
| | 2 PLACES | ±0.13 | ±.010 | CHECKED BY | DATE | | |
| | 1 PLACE | ±0.25 | ±.020 | HKNEELAN | 2014/03/07 | | |
| | ANGULAR ±.5° | | APPROVED BY | DATE | DOCUMENT NO. SD-130153-040 | | SHEET NO. 1 OF 1 |
| | SIZE | THIS DRAWING CONTAINS INFORMATION THAT IS PROPRIETARY TO MOLEX INCORPORATED AND SHOULD NOT BE USED WITHOUT WRITTEN PERMISSION | | | | | |