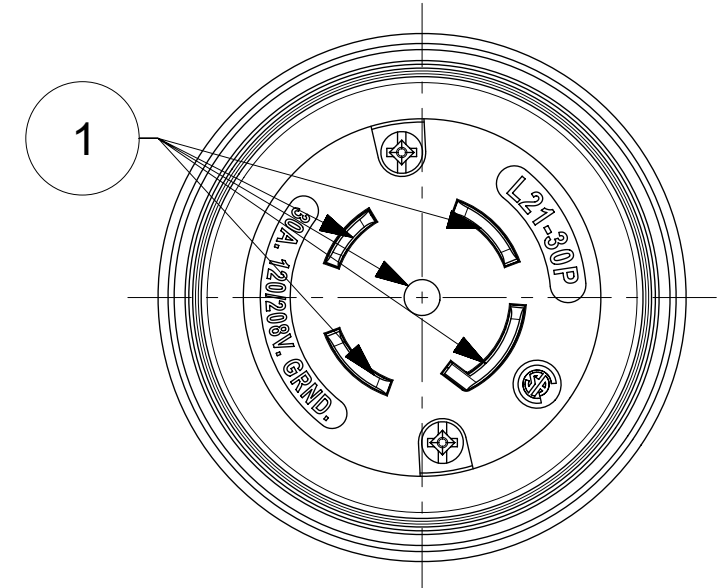
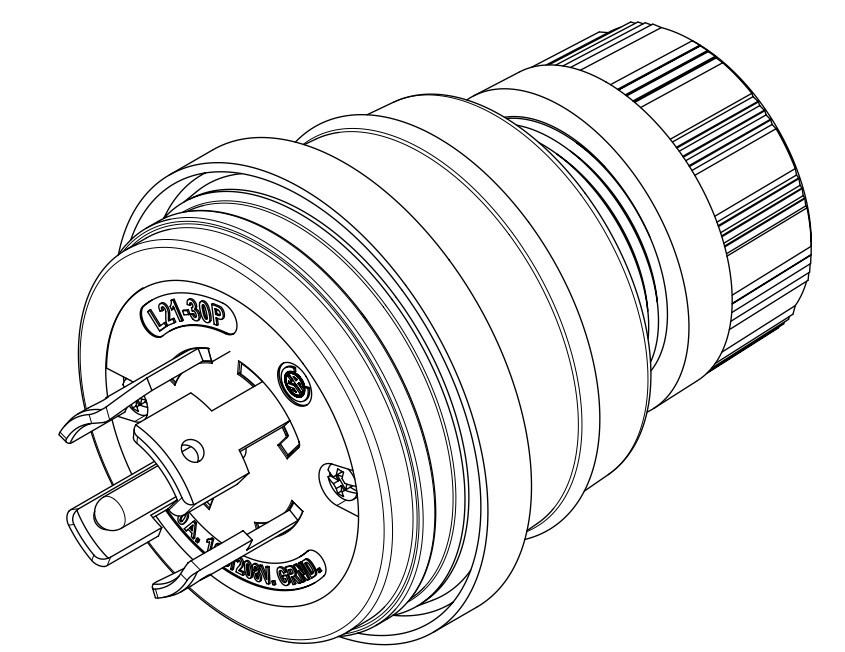
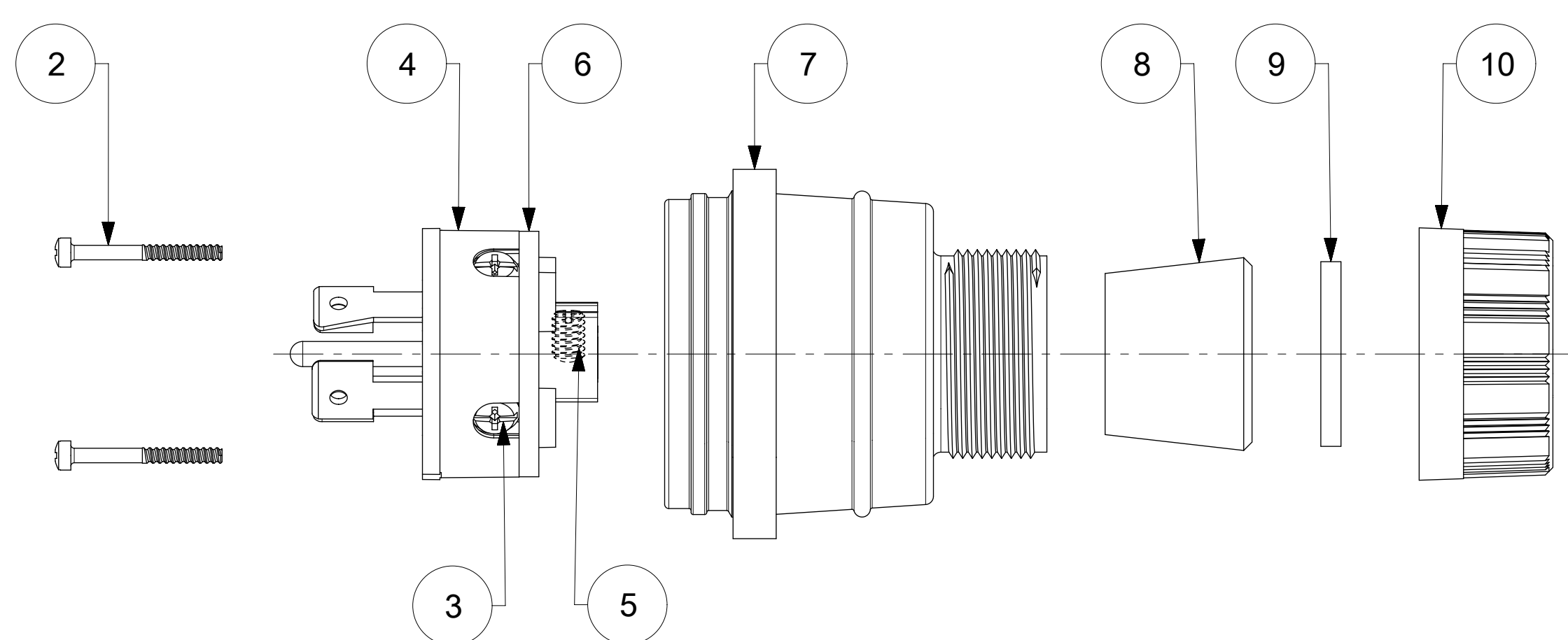
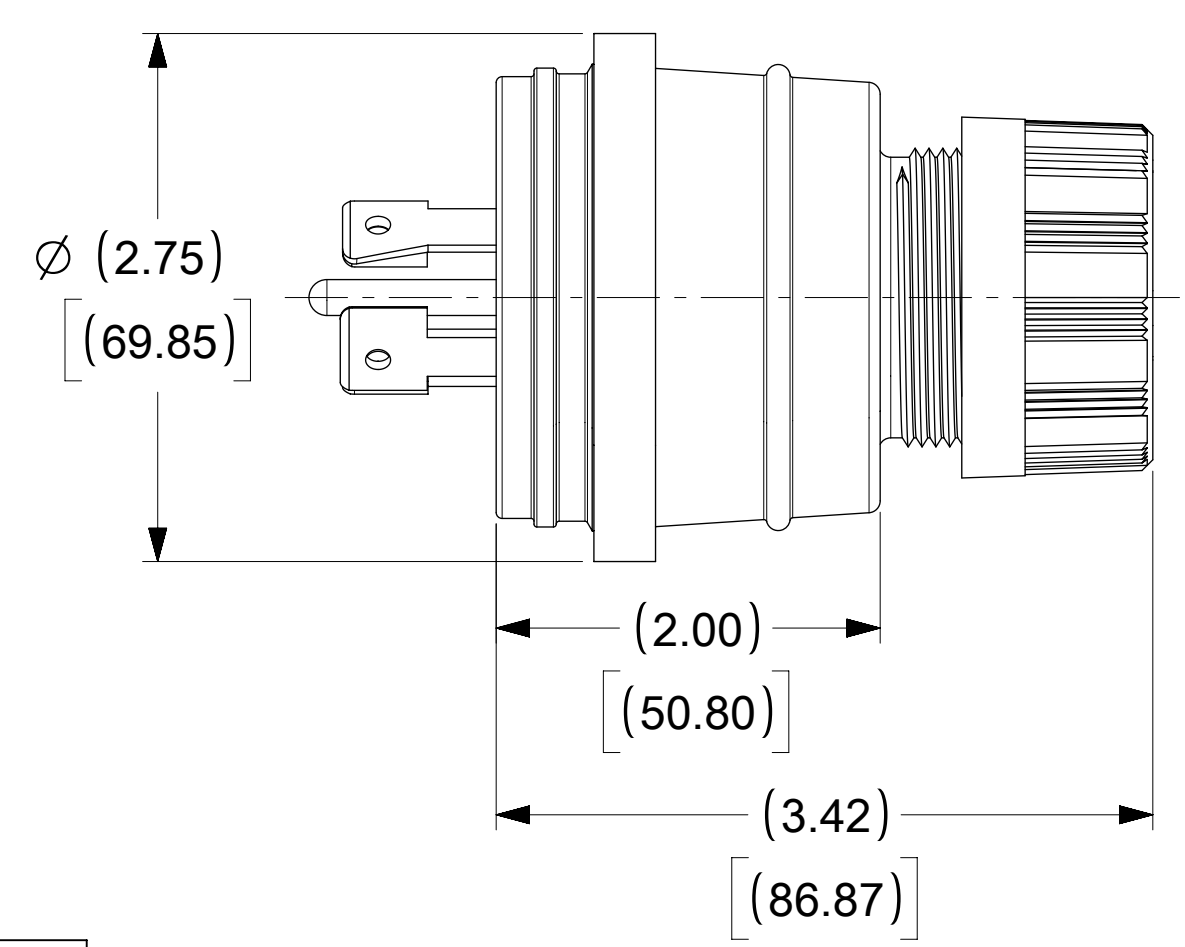


ORDER NO.	WOODHEAD NO.	COLOR
130147-0287	28W81-P	YELLOW



FACE VIEW



ITEM NO.	DESCRIPTIONS	MATERIAL	QTY.
1	BLADE	BRASS, NICKEL PLATED	5
2	RETAINING SCREWS	STAINLESS STEEL	2
3	CLAMP AND TERMINAL SCREW ASSY	BRASS, ZINC PLATED	4
4	INSERT	NYLON	1
5	SET SCREW	STAINLESSSTEEL	1
6	TERMINAL COVER	POLYCARBONATE	1
7	HOUSING	SILICON WITH NYLON THREAD	1
8	GROMMET	RUBBER	1
9	FRICTION RING	NYLON	1
10	COMPRESSION NUT	NYLON	1

SYMBOLS		THIS DRAWING CONTAINS INFORMATION THAT IS PROPRIETARY TO MOLEX ELECTRONIC TECHNOLOGIES, LLC AND SHOULD NOT BE USED WITHOUT WRITTEN PERMISSION		CURRENT REV DESC: RELEASED			
▽ = 0	INCH[MM]	SCALE	NTS	<p>molex</p> <p>WATERTITE PLUG 4P5W L21-30</p> <p>PRODUCT CUSTOMER DRAWING</p> <p>DOCUMENT NUMBER: 1301470287</p> <p>DOC TYPE: PSD</p> <p>DOC PART: 000</p> <p>REVISION: A</p> <p>MATERIAL NUMBER: SEE TABLE</p> <p>CUSTOMER: GENERAL MARKET</p> <p>SHEET NUMBER: 1 OF 1</p>			
▽ = 0	GENERAL TOLERANCES (UNLESS SPECIFIED)		<p>EC NO: 614381</p> <p>DRWN: DSOPPIN 2018/12/26</p> <p>CHK'D: DNGUYEN62 2019/04/16</p> <p>APPR: HKNEELAND 2019/04/25</p>				
▽ = 0	4 PLACES	±	±			<p>INITIAL REVISION:</p> <p>DRWN: DSOPPIN 2018/12/26</p> <p>APPR: HKNEELAND 2019/04/25</p>	
▽ = 0	3 PLACES	±	±			<p>THIRD ANGLE PROJECTION</p> <p>DRAWING SERIES: C-SIZE 130147</p>	
▽ = 0	2 PLACES	±	±	<p>ANGULAR TOL ± °</p> <p>DRAFT WHERE APPLICABLE MUST REMAIN WITHIN DIMENSIONS</p>			
▽ = 0	1 PLACE	±	±				
▽ = 0	0 PLACES	±	±				