

AEC-Q100 qualified low skew, 1-to-4 LVCMOS/LVTTL Fanout Buffer

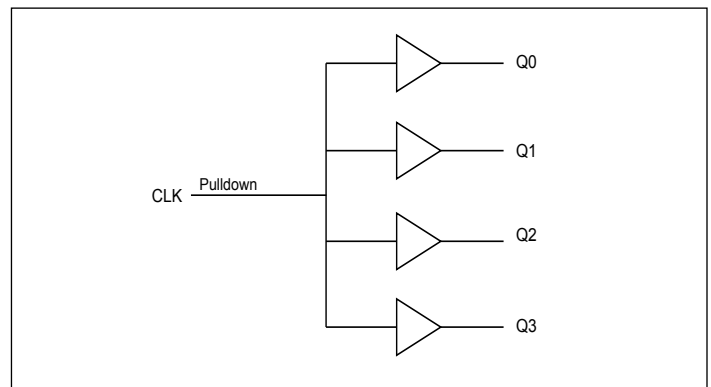
Features

- Four LVCMOS / LVTTL Outputs
- LVCMOS / LVTTL Clock Input
- CLK Accepts LVCMOS, LVTTL Input Levels
- Maximum Output Frequency: 200MHz
- Additive Phase Jitter, RMS: 0.05ps (Typical) @ 3.3V
- Output Skew: 45ps (Maximum) @ 3.3V
- Full 3.3V, 2.5V, 1.8V Operation Mode or 3.3V/2.5V/1.8V Core with 2.5V, 1.8V, 1.5V Supply Modes
- AEC-Q100 Qualified
- Automotive Grade 2 Temperature Range (-40°C to 105°C)
- Automotive Grade 3 Temperature Range (-40°C to 85°C)
- Totally Lead-Free & Fully RoHS Compliant (Notes 1 & 2)
- Halogen and Antimony Free. "Green" Device (Note 3)
- The PI6C49CB04BQ is suitable for automotive applications requiring specific change control and is AEC-Q100 qualified, PPAP capable, and manufactured in IATF 16949 certified facilities.
<https://www.diodes.com/quality/product-definitions/>
- Packaging (Pb-free & Green):
 - Small 8-pin SOIC(W) package saves board space

Description

The PI6C49CB04BQ is a low-skew, 1-to-4 fanout buffer. Guaranteed output and part-to-part skew characteristics make the PI6C49CB04BQ ideal for clock distribution applications that demand well-defined performance and repeatability.

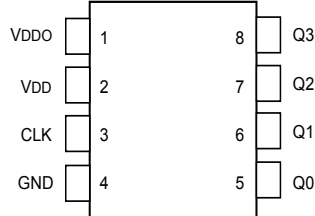
Block Diagram



Notes:

1. No purposely added lead. Fully EU Directive 2002/95/EC (RoHS), 2011/65/EU (RoHS 2) & 2015/863/EU (RoHS 3) compliant.
2. See <https://www.diodes.com/quality/lead-free/> for more information about Diodes Incorporated's definitions of Halogen- and Antimony-free, "Green" and Lead-free.
3. Halogen- and Antimony-free "Green" products are defined as those which contain <900ppm bromine, <900ppm chlorine (<1500ppm total Br + Cl) and <1000ppm antimony compounds.

Pin Configuration



Pin Descriptions

Pin#	Pin Name	Pin Type		Pin Description
1	V _{DDO}	Power	—	Output supply pin
2	V _{DD}	Power	—	Positive supply pin
3	CLK	Input	Pulldown	LVC MOS / LVTTL clock input
4	GND	Power	—	Power supply ground
5	Q0	Output	—	Single clock output. LVC MOS / LVTTL interface levels
6	Q1	Output	—	Single clock output. LVC MOS / LVTTL interface levels
7	Q2	Output	—	Single clock output. LVC MOS / LVTTL interface levels
8	Q3	Output	—	Single clock output. LVC MOS / LVTTL interface levels

Note: *Pulldown* refers to internal input resistors. See Table 2, *Pin Characteristics*, for typical values.

Pin Characteristics

Symbol	Parameter	Test Conditions	Min.	Typ.	Max.	Units
C _{IN}	Input Capacitance	—	—	4	—	pF
C _{PD}	Power Dissipation Capacitance (per Output)	V _{DD} , V _{DDO} = 3.465V	—	—	15	pF
R _{PULLDOWN}	Input Pulldown Resistor	—	—	51	—	kΩ
R _{OUT}	Output Impedance	V _{DD} , V _{DDO} > 2.5V	5	7	12	Ω

Maximum Ratings

(Above which useful life may be impaired. For user guidelines, not tested.)

Supply Voltage, V_{DD}	4.6V
Inputs, V_I	-0.5V to $V_{DD} + 0.5V$
Output, V_O	-0.5V to $V_{DDO} + 0.5V$
Storage Temperature, T_{STG}	-65°C to 150°C
ESD Protection (HBM)	2000V
Junction Temperature	125 °C max

Note:

Stresses beyond those listed under Absolute Maximum Ratings may cause permanent damage to the device. These ratings are stress specifications only. Functional operation of product at these conditions or any conditions beyond those listed in the DC Characteristics or AC Characteristics is not implied. Exposure to absolute maximum rating conditions for extended periods may affect product reliability.

Recommended Operation Conditions

Parameter	Min.	Typ.	Max.	Units
Ambient Operating Temperature (Automotive Grade 2)	-40	—	+105	°C
Ambient Operating Temperature (Automotive Grade 3)	-40	—	+85	°C
Power Supply Voltage (Measured in Respect to GND)	+1.425	—	+3.6	V

Power Supply DC Characteristics

Symbol	Parameter	Conditions	Min.	Typ.	Max.	Units
VDD	Core Supply Voltage	3.3V Operation	3.135	3.3	3.465	V
		2.5V Operation	2.375	2.5	2.625	
		1.8V Operation	1.6	1.8	2.0	
VDDO	Output Power Supply Voltage	3.3V Supply	3.135	3.3	3.465	V
		2.5V Supply	2.375	2.5	2.625	
		1.8V Supply	1.6	1.8	2.0	
		1.5V Supply	1.425	1.5	1.575	
$I_{DD} + I_{DDO}$	Total Power Supply Current	5pF, 100MHz	—	—	38	mA

DC ELECTRICAL CHARACTERISTICS
VDD = 1.8V, VDDO = 1.5 V ±5%, Ambient temperature -40°C to +105°C, unless stated otherwise

Symbol	Parameter	Conditions	Min.	Typ.	Max.	Units
VDD	Operating Voltage	—	1.7	1.8	1.89	V
VDDO	Output Operating Voltage	—	1.425	1.5	1.575	V
V _{IH}	Input High Voltage	CLK ⁽¹⁾	0.9	—	3.6	V
V _{IL}	Input Low Voltage	CLK ⁽¹⁾	—	—	0.575	V
I _{IH}	Input High Current	CLK ⁽¹⁾	—	—	40	μA
I _{IL}	Input Low Current	CLK ⁽¹⁾	—	—	1	μA
V _{OH}	Output High Voltage	I _{OH} = -6mA	0.95	—	—	V
V _{OL}	Output Low Voltage	I _{OL} = 6mA	—	—	0.45	V
IDD	Operating Supply Current	5pF, 160MHz	—	15	21	mA
		5pF, 100MHz	—	13	17	mA
		5pF, 50MHz	—	7	9	mA
		5pF, 25MHz	—	4	5.5	mA
Z _O	Nominal Output Impedance	—	—	20	—	Ω
C _{IN}	Input Capacitance	CLK	—	5	—	pF
I _{OS}	Short-Circuit Current	—	—	±12	—	mA

Notes: 1. Nominal switching threshold is VDD/2.

VDD, VDDO=1.8 V ±5%, Ambient temperature -40°C to +105°C, unless stated otherwise

Symbol	Parameter	Conditions	Min.	Typ.	Max.	Units
VDD, VDDO	Operating Voltage	—	1.7	1.8	1.89	V
V _{IH}	Input High Voltage	CLK ⁽¹⁾	1.1	—	3.6	V
V _{IL}	Input Low Voltage	CLK ⁽¹⁾	—	—	0.6	V
I _{IH}	Input High Current	CLK ⁽¹⁾	—	—	50	μA
I _{IL}	Input Low Current	CLK ⁽¹⁾	—	—	1	μA
V _{OH}	Output High Voltage	I _{OH} = -8mA	1.4	—	—	V
V _{OL}	Output Low Voltage	I _{OL} = 8mA	—	—	0.4	V
IDD	Operating Supply Current	5pF, 160MHz	—	22	28	mA
		5pF, 100MHz	—	17	21	mA
		5pF, 50MHz	—	9	12	mA
		5pF, 25MHz	—	5	7	mA
Z _O	Nominal Output Impedance	—	—	20	—	Ω
C _{IN}	Input Capacitance	CLK	—	5	—	pF
I _{OS}	Short-Circuit Current	—	—	±20	—	mA

Notes: 1. Nominal switching threshold is VDD/2.

PI6C49CB04BQ
VDD, VDDO = 2.5 V ±5%, Ambient temperature -40°C to +105°C, unless stated otherwise

Symbol	Parameter	Conditions	Min.	Typ.	Max.	Units
VDD, VDDO	Operating Voltage	—	2.375	2.5	2.625	V
V _{IH}	Input High Voltage	CLK ⁽¹⁾	1.7	—	3.6	V
V _{IL}	Input Low Voltage	CLK ⁽¹⁾	—	—	0.7	V
I _{IH}	Input High Current	CLK ⁽¹⁾	—	—	60	μA
I _{IL}	Input Low Current	CLK ⁽¹⁾	—	—	1	μA
V _{OH}	Output High Voltage	I _{OH} = -8mA	2	—	—	V
V _{OL}	Output Low Voltage	I _{OL} = 8mA	—	—	0.4	V
IDD	Operating Supply Current	5pF, 100MHz	—	24	30	mA
		5pF, 50MHz	—	12	15	mA
		5pF, 25MHz	—	7	9	mA
Z _O	Nominal Output Impedance	—	—	20	—	Ω
C _{IN}	Input Capacitance	CLK	—	5	—	pF
I _{OS}	Short-Circuit Current	—	—	±50	—	mA

Notes: 1. Nominal switching threshold is VDD/2.

VDD, VDDO = 3.3 V ±10%, Ambient temperature -40°C to +105°C, unless stated otherwise

Symbol	Parameter	Conditions	Min.	Typ.	Max.	Units
VDD, VDDO	Operating Voltage	—	3.0	3.3	3.6	V
V _{IH}	Input High Voltage	CLK ⁽¹⁾	2.4	—	3.6	V
V _{IL}	Input Low Voltage	CLK ⁽¹⁾	—	—	0.7	V
I _{IH}	Input High Current	CLK ⁽¹⁾	—	—	85	μA
I _{IL}	Input Low Current	CLK ⁽¹⁾	—	—	1	μA
V _{OH}	Output High Voltage	I _{OH} = -8 mA	2.8	—	—	V
V _{OL}	Output Low Voltage	I _{OL} = 8 mA	—	—	0.2	V
IDD	Operating Supply Current	5pF, 100MHz	—	32	38	mA
		5pF, 50MHz	—	16	19	mA
		5pF, 25MHz	—	10	12	mA
Z _O	Nominal Output Impedance	—	—	20	—	Ω
C _{IN}	Input Capacitance	CLK	—	5	—	pF
I _{OS}	Short-Circuit Current	—	—	±50	—	mA

Notes: 1. Nominal switching threshold is VDD/2.

PI6C49CB04BQ

AC ELECTRICAL CHARACTERISTICS

VDD = 1.8V, VDDO=1.5 V ±5%, Ambient temperature -40°C to +105° C, unless stated otherwise

Symbol	Parameter	Conditions	Min.	Typ.	Max.	Units
F _{OUT}	Output Frequency	—	0	—	160	MHz
t _{OR}	Output Rise Time	20% to 80%	—	1.0	1.5	ns
t _{OF}	Output Fall Time	20% to 80%	—	1.0	1.5	ns
T _{PD}	Propagation Delay (Note1)	—	2	3	5	ns
T _{SK}	Output-to-Output Skew (Note2)	Rising edges at VDD/2	—	0	±250	ps

VDD, VDDO =1.8 V ±5%, Ambient temperature -40°C to +105° C, unless stated otherwise

Symbol	Parameter	Conditions	Min.	Typ.	Max.	Units
F _{OUT}	Output Frequency	—	0	—	160	MHz
t _{OR}	Output Rise Time	20% to 80%	—	1.0	1.5	ns
t _{OF}	Output Fall Time	20% to 80%	—	1.0	1.5	ns
T _{PD}	Propagation Delay (Note 1)	—	1.3	2	4	ns
T _{SK}	Output-to-Output Skew (Note 2)	Rising edges at VDD/2	—	0	±250	ps
J _{ADD}	Additive Jitter	@ 156.25MHz, 12k to 20MHz	—	0.1	—	ps

VDD, VDDO =2.5 V ±5%, Ambient temperature -40°C to +105°C, unless stated otherwise

Symbol	Parameter	Conditions	Min.	Typ.	Max.	Units
F _{OUT}	Output Frequency	—	0	—	160	MHz
t _{OR}	Output Rise Time	20% TO 80%	—	1.0	1.5	ns
t _{OF}	Output Fall Time	20% TO 80%	—	1.0	1.5	ns
T _{PD}	Propagation Delay ⁽¹⁾	—	0.8	1.5	3	ns
T _{SK}	Output-to-Output Skew ⁽²⁾	Rising edges at VDD/2	—	0	±250	ps
J _{ADD}	Additive Jitter	@ 156.25MHz, 12k to 20MHz	—	0.05	—	ps

Notes:

1. With rail-to-rail input clock.
2. Between any two outputs with equal loading.

VDD, VDDO =3.3 V ±10%, Ambient temperature -40°C to +105°C, unless stated otherwise

Symbol	Parameter	Conditions	Min.	Typ.	Max.	Units
F _{OUT}	Output Frequency	—	0	—	100	MHz
t _{OR}	Output Rise Time	20% TO 80%	—	1.0	1.5	ns
t _{OF}	Output Fall Time	20% TO 80%	—	1.0	1.5	ns
T _{PD}	Propagation Delay ⁽¹⁾	—	0.8	1.0	2.5	ns
T _{SK}	Output-to-Output Skew ⁽²⁾	Rising edges at VDD/2	—	0	±250	ps
J _{ADD}	Additive Jitter	@ 156.25MHz, 12k to 20MHz	—	0.05	—	ps

Notes:

1. With rail-to-rail input clock.
2. Between any two outputs with equal loading.

DC ELECTRICAL CHARACTERISTICS

VDD = 1.8V, VDDO = 1.5 V ±5%, Ambient temperature -40°C to +85°C, unless stated otherwise

Symbol	Parameter	Conditions	Min.	Typ.	Max.	Units
VDD	Operating Voltage	—	1.7	1.8	1.89	V
VDDO	Output Operating Voltage	—	1.425	1.5	1.575	V
V _{IH}	Input High Voltage	CLK ⁽¹⁾	0.9	—	3.6	V
V _{IL}	Input Low Voltage	CLK ⁽¹⁾	—	—	0.575	V
I _{IH}	Input High Current	CLK ⁽¹⁾	—	—	40	μA
I _{IL}	Input Low Current	CLK ⁽¹⁾	—	—	1	μA
V _{OH}	Output High Voltage	I _{OH} = -6 mA	0.95	—	—	V
V _{OL}	Output Low Voltage	I _{OL} = 6 mA	—	—	0.45	V
IDD	Operating Supply Current	5pF, 160MHz	—	15	21	mA
		5pF, 100MHz	—	13	17	mA
		5pF, 50MHz	—	7	9	mA
		5pF, 25MHz	—	4	5.5	mA
Z _O	Nominal Output Impedance	—	—	20	—	Ω
C _{IN}	Input Capacitance	CLK	—	5	—	pF
I _{OS}	Short-Circuit Current	—	—	±12	—	mA

Notes: 1. Nominal switching threshold is VDD/2.

VDD, VDDO = 1.8 V ±5%, Ambient temperature -40°C to +85°C, unless stated otherwise

Symbol	Parameter	Conditions	Min.	Typ.	Max.	Units
VDD, VDDO	Operating Voltage	—	1.7	1.8	1.89	V
V _{IH}	Input High Voltage	CLK ⁽¹⁾	1.1	—	3.6	V
V _{IL}	Input Low Voltage	CLK ⁽¹⁾	—	—	0.6	V
I _{IH}	Input High Current	CLK ⁽¹⁾	—	—	50	μA
I _{IL}	Input Low Current	CLK ⁽¹⁾	—	—	1	μA
V _{OH}	Output High Voltage	I _{OH} = -8mA	1.4	—	—	V
V _{OL}	Output Low Voltage	I _{OL} = 8mA	—	—	0.4	V
IDD	Operating Supply Current	5pF, 160MHz	—	22	28	mA
		5pF, 100MHz	—	17	21	mA
		5pF, 50MHz	—	9	12	mA
		5pF, 25MHz	—	5	7	mA
Z _O	Nominal Output Impedance	—	—	20	—	Ω
C _{IN}	Input Capacitance	CLK	—	5	—	pF
I _{OS}	Short-Circuit Current	—	—	±20	—	mA

Notes: 1. Nominal switching threshold is VDD/2.

VDD, VDDO = 2.5 V ±5%, Ambient temperature -40°C to +85°C, unless stated otherwise

Symbol	Parameter	Conditions	Min.	Typ.	Max.	Units
VDD	Operating Voltage	—	2.375	2.5	2.625	V
V _{IH}	Input High Voltage	CLK ⁽¹⁾	1.7	—	3.6	V
V _{IL}	Input Low Voltage	CLK ⁽¹⁾	—	—	0.7	V
I _{IH}	Input High Current	CLK ⁽¹⁾	—	—	60	μA
I _{IL}	Input Low Current	CLK ⁽¹⁾	—	—	1	μA
V _{OH}	Output High Voltage	I _{OH} = -8 mA	2	—	—	V
V _{OL}	Output Low Voltage	I _{OL} = 8 mA	—	—	0.4	V
IDD	Operating Supply Current	5pF, 200MHz	—	46	56	mA
		5pF, 100MHz	—	24	30	mA
		5pF, 50MHz	—	12	15	mA
		5pF, 25MHz	—	7	9	mA
Z _O	Nominal Output Impedance	—	—	20	—	Ω
C _{IN}	Input Capacitance	CLK	—	5	—	pF
I _{OS}	Short-Circuit Current	—	—	±50	—	mA

Notes: 1. Nominal switching threshold is VDD/2.

VDD, VDDO = 3.3 V ±10%, Ambient temperature -40°C to +85°C, unless stated otherwise

Symbol	Parameter	Conditions	Min.	Typ.	Max.	Units
VDD	Operating Voltage	—	3.0	3.3	3.6	V
V _{IH}	Input High Voltage	CLK ⁽¹⁾	2.4	—	3.6	V
V _{IL}	Input Low Voltage	CLK ⁽¹⁾	—	—	0.7	V
I _{IH}	Input High Current	CLK ⁽¹⁾	—	—	85	μA
I _{IL}	Input Low Current	CLK ⁽¹⁾	—	—	1	μA
V _{OH}	Output High Voltage	I _{OH} = -8mA	2.8	—	—	V
V _{OL}	Output Low Voltage	I _{OL} = 8mA	—	—	0.2	V
IDD	Operating Supply Current	5pF, 200MHz	—	62	75	mA
		5pF, 100MHz	—	32	38	mA
		5pF, 50MHz	—	16	19	mA
		5pF, 25MHz	—	10	12	mA
Z _O	Nominal Output Impedance	—	—	20	—	Ω
C _{IN}	Input Capacitance	CLK	—	5	—	pF
I _{OS}	Short-Circuit Current	—	—	±50	—	mA

Notes: 1. Nominal switching threshold is VDD/2.

AC ELECTRICAL CHARACTERISTICS

VDD = 1.8V, VDDO = 1.5 V ±5%, Ambient temperature -40°C to +85°C, unless stated otherwise

Symbol	Parameter	Conditions	Min.	Typ.	Max.	Units
F _{OUT}	Output Frequency	—	0	—	166	MHz
t _{OR}	Output Rise Time	20% to 80%	—	1.0	1.5	ns
t _{OF}	Output Fall Time	20% to 80%	—	1.0	1.5	ns
T _{PD}	Propagation Delay (Note 1)	—	2	3	5	ns
T _{SK}	Output-to-Output Skew (Note 2)	Rising edges at VDD/2	—	0	±250	ps

VDD, VDDO = 1.8 V ±5%, Ambient temperature -40°C to +85°C, unless stated otherwise

Symbol	Parameter	Conditions	Min.	Typ.	Max.	Units
F _{OUT}	Output Frequency	—	0	—	166	MHz
t _{OR}	Output Rise Time	20% to 80%	—	1.0	1.5	ns
t _{OF}	Output Fall Time	20% to 80%	—	1.0	1.5	ns
T _{PD}	Propagation Delay (Note 1)	—	1.3	2	4	ns
T _{SK}	Output-to-Output Skew (Note 2)	Rising edges at VDD/2	—	0	±250	ps
J _{ADD}	Additive Jitter	@156.25MHz, 12k to 20MHz	—	0.1	—	ps

VDD, VDDO = 2.5 V ±5%, Ambient temperature -40°C to +85°C, unless stated otherwise

Symbol	Parameter	Conditions	Min.	Typ.	Max.	Units
F _{OUT}	Output Frequency	—	0	—	200	MHz
t _{OR}	Output Rise Time	20% TO 80%	—	1.0	1.5	ns
t _{OF}	Output Fall Time	20% TO 80%	—	1.0	1.5	ns
T _{PD}	Propagation Delay ⁽¹⁾	—	0.8	1.5	3	ns
T _{SK}	Output-to-Output Skew ⁽²⁾	Rising edges at VDD/2	—	0	±250	ps
J _{ADD}	Additive Jitter	@ 156.25MHz, 12k to 20MHz	—	0.05	—	ps

Notes:

1. With rail-to-rail input clock.
2. Between any two outputs with equal loading.

VDD, VDDO = 3.3 V ±10%, Ambient temperature -40°C to +85°C, unless stated otherwise

Symbol	Parameter	Conditions	Min.	Typ.	Max.	Units
F_{OUT}	Output Frequency	—	0	—	200	MHz
tOR	Output Rise Time	20% TO 80%	—	1.0	1.5	ns
tOF	Output Fall Time	20% TO 80%	—	1.0	1.5	ns
T_{PD}	Propagation Delay ⁽¹⁾	—	0.8	1.0	2.5	ns
T_{SK}	Output-to-Output Skew ⁽²⁾	Rising edges at VDD/2	—	0	±250	ps
J_{ADD}	Additive Jitter	@ 156.25MHz, 12k to 20MHz	—	0.05	—	ps

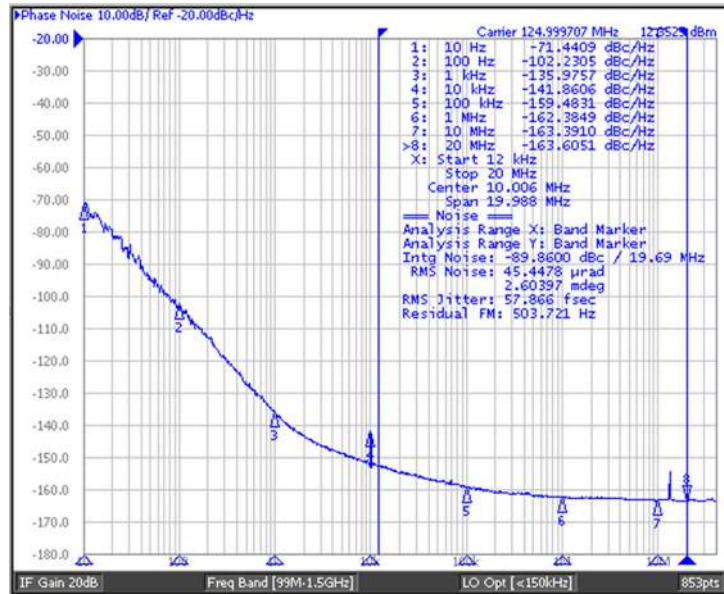
Notes:

1. With rail-to-rail input clock.
2. Between any two outputs with equal loading.

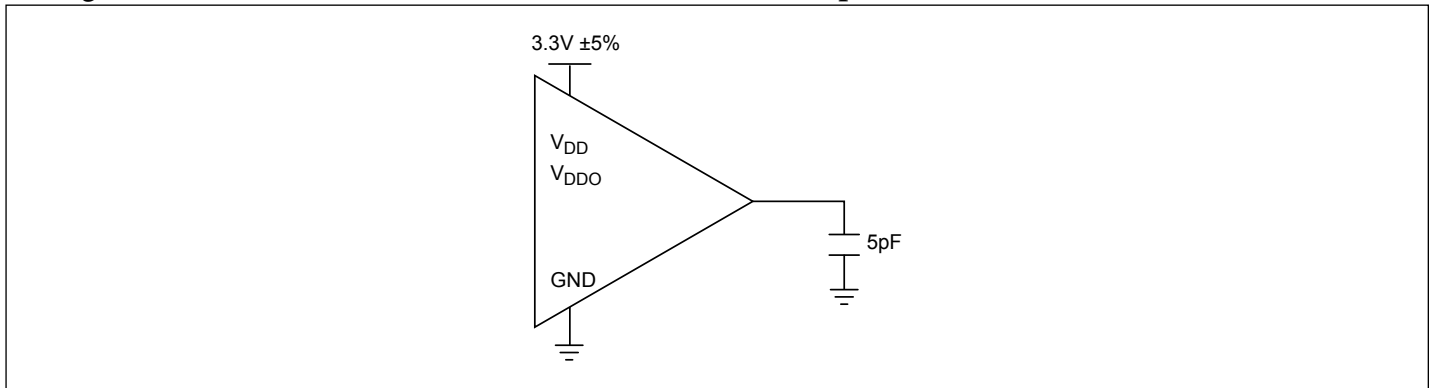
Phase Noise and Additive Jitter

Output phase noise plot provided below.

$$\text{Additive jitter} = \sqrt{(\text{Output jitter}^2 - \text{Input jitter}^2)}$$



Configuration Test Load Board Termination for LVCMOS Outputs



Thermal Information

Symbol	Description	Condition	
Θ _{JA}	Junction-to-Ambient Thermal Resistance	Still air	157°C/W
Θ _{JC}	Junction-to-Case Thermal Resistance	—	42°C/W

PI6C49CB04BQ

Part Marking

W Package-Q2

PI6C49CB
04BQ2WE
YYWWXX



YY: Year
WW: Workweek
1st X: Assembly Code
2nd X: Fab Code

W Package-Q3

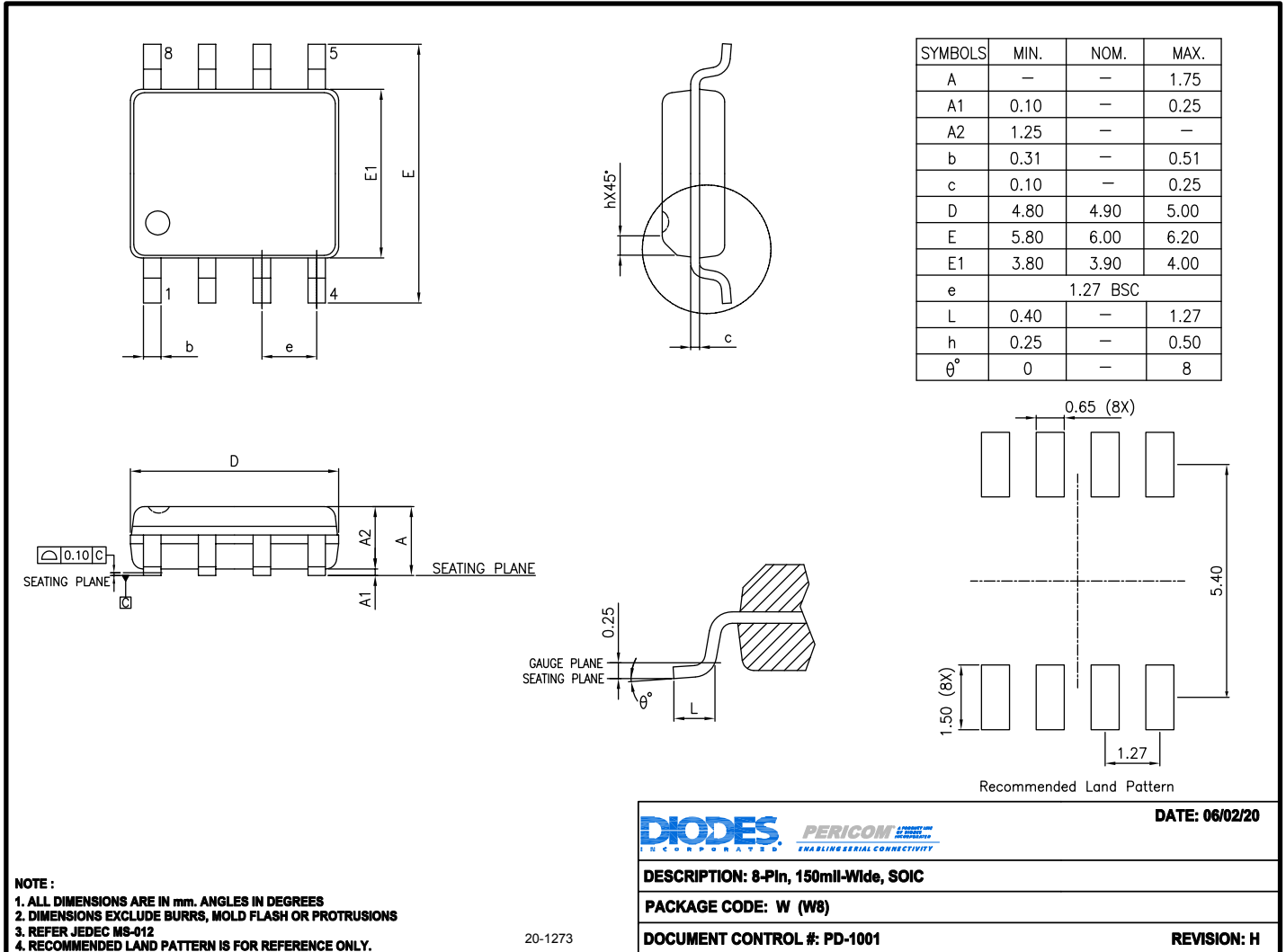
PI6C49CB
04BQ3WE
YYWWXX



YY: Year
WW: Workweek
1st X: Assembly Code
2nd X: Fab Code

Packaging Mechanical

8-SOIC (W)



For latest package information:

See <http://www.diodes.com/design/support/packaging/pericom-packaging/packaging-mechanicals-and-thermal-characteristics/>.

Ordering Information

Ordering Code	Package Code	Package Description	Operating Temperature
PI6C49CB04BQ2WEX	W	8-pin, 150mil-Wide (SOIC)	-40°C to 105°C
PI6C49CB04BQ3WEX	W	8-pin, 150mil-Wide (SOIC)	-40°C to 85°C

Notes:

- No purposely added lead. Fully EU Directive 2002/95/EC (RoHS), 2011/65/EU (RoHS 2) & 2015/863/EU (RoHS 3) compliant.
- See <https://www.diodes.com/quality/lead-free/> for more information about Diodes Incorporated's definitions of Halogen- and Antimony-free, "Green" and Lead-free.
- Halogen- and Antimony-free "Green" products are defined as those which contain <900ppm bromine, <900ppm chlorine (<1500ppm total Br + Cl) and <1000ppm antimony compounds.
- Q = Automotive Compliant
- 2 and 3 = AEC-Q100 Grade Level
- E = Pb-free and Green
- X suffix = Tape/Reel

IMPORTANT NOTICE

1. DIODES INCORPORATED AND ITS SUBSIDIARIES (“DIODES”) MAKE NO WARRANTY OF ANY KIND, EXPRESS OR IMPLIED, WITH REGARDS TO ANY INFORMATION CONTAINED IN THIS DOCUMENT, INCLUDING, BUT NOT LIMITED TO, THE IMPLIED WARRANTIES OF MERCHANTABILITY, FITNESS FOR A PARTICULAR PURPOSE OR NON-INFRINGEMENT OF THIRD PARTY INTELLECTUAL PROPERTY RIGHTS (AND THEIR EQUIVALENTS UNDER THE LAWS OF ANY JURISDICTION).

2. The Information contained herein is for informational purpose only and is provided only to illustrate the operation of Diodes products described herein and application examples. Diodes does not assume any liability arising out of the application or use of this document or any product described herein. This document is intended for skilled and technically trained engineering customers and users who design with Diodes products. Diodes products may be used to facilitate safety-related applications; however, in all instances customers and users are responsible for (a) selecting the appropriate Diodes products for their applications, (b) evaluating the suitability of the Diodes products for their intended applications, (c) ensuring their applications, which incorporate Diodes products, comply the applicable legal and regulatory requirements as well as safety and functional-safety related standards, and (d) ensuring they design with appropriate safeguards (including testing, validation, quality control techniques, redundancy, malfunction prevention, and appropriate treatment for aging degradation) to minimize the risks associated with their applications.

3. Diodes assumes no liability for any application-related information, support, assistance or feedback that may be provided by Diodes from time to time. Any customer or user of this document or products described herein will assume all risks and liabilities associated with such use, and will hold Diodes and all companies whose products are represented herein or on Diodes’ websites, harmless against all damages and liabilities.

4. Products described herein may be covered by one or more United States, international or foreign patents and pending patent applications. Product names and markings noted herein may also be covered by one or more United States, international or foreign trademarks and trademark applications. Diodes does not convey any license under any of its intellectual property rights or the rights of any third parties (including third parties whose products and services may be described in this document or on Diodes’ website) under this document.

5. Diodes products are provided subject to Diodes’ Standard Terms and Conditions of Sale (<https://www.diodes.com/about/company/terms-and-conditions/terms-and-conditions-of-sales/>) or other applicable terms. This document does not alter or expand the applicable warranties provided by Diodes. Diodes does not warrant or accept any liability whatsoever in respect of any products purchased through unauthorized sales channel.

6. Diodes products and technology may not be used for or incorporated into any products or systems whose manufacture, use or sale is prohibited under any applicable laws and regulations. Should customers or users use Diodes products in contravention of any applicable laws or regulations, or for any unintended or unauthorized application, customers and users will (a) be solely responsible for any damages, losses or penalties arising in connection therewith or as a result thereof, and (b) indemnify and hold Diodes and its representatives and agents harmless against any and all claims, damages, expenses, and attorney fees arising out of, directly or indirectly, any claim relating to any noncompliance with the applicable laws and regulations, as well as any unintended or unauthorized application.

7. While efforts have been made to ensure the information contained in this document is accurate, complete and current, it may contain technical inaccuracies, omissions and typographical errors. Diodes does not warrant that information contained in this document is error-free and Diodes is under no obligation to update or otherwise correct this information. Notwithstanding the foregoing, Diodes reserves the right to make modifications, enhancements, improvements, corrections or other changes without further notice to this document and any product described herein. This document is written in English but may be translated into multiple languages for reference. Only the English version of this document is the final and determinative format released by Diodes.

8. Any unauthorized copying, modification, distribution, transmission, display or other use of this document (or any portion hereof) is prohibited. Diodes assumes no responsibility for any losses incurred by the customers or users or any third parties arising from any such unauthorized use.

Copyright © 2021 Diodes Incorporated

www.diodes.com