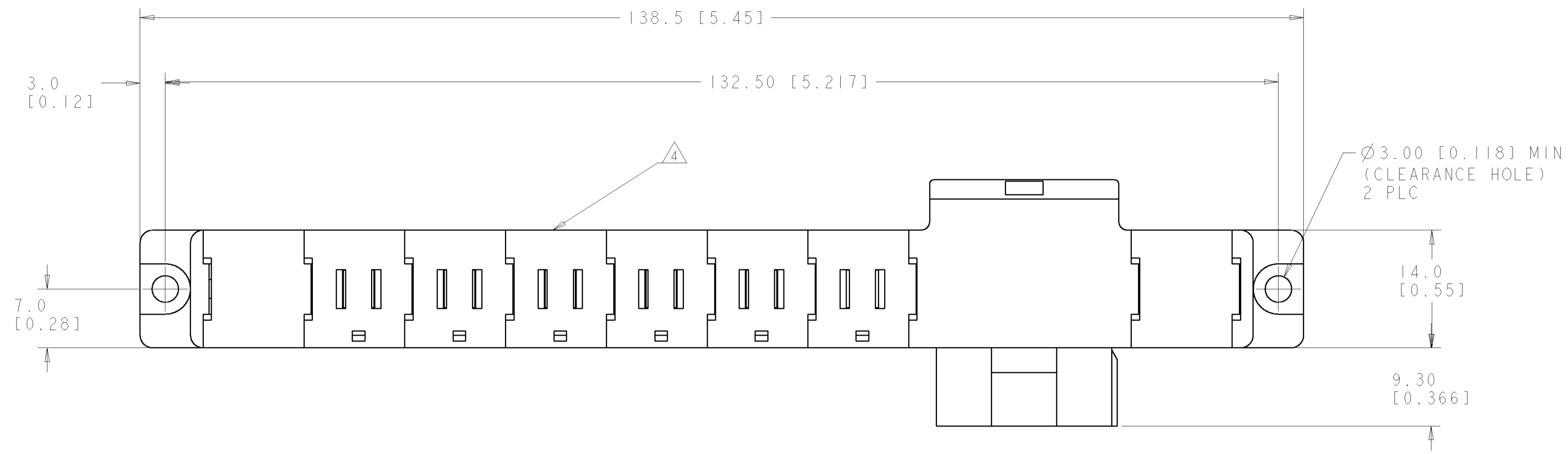


LOC	DIST	REV	DESCRIPTION	DATE	BY	APPD
GP	00	A	RELEASED	28AUG2006	RG	SF



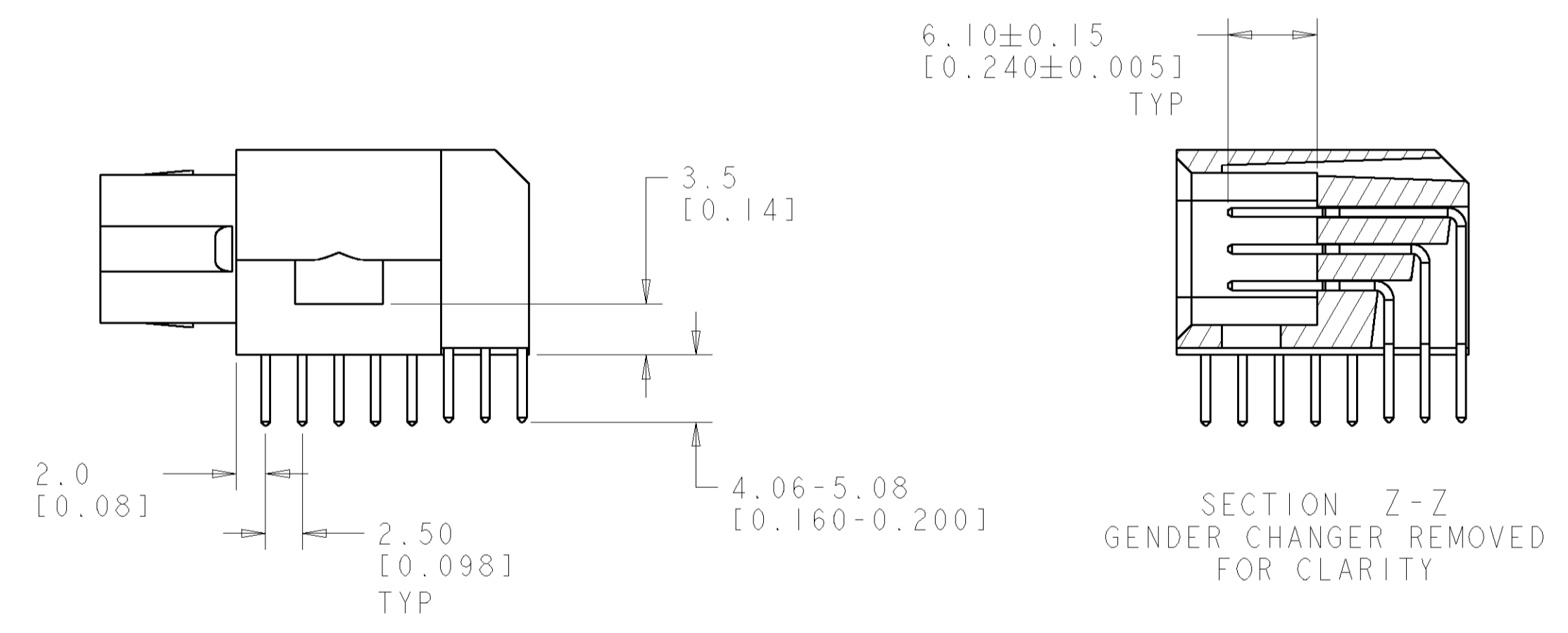
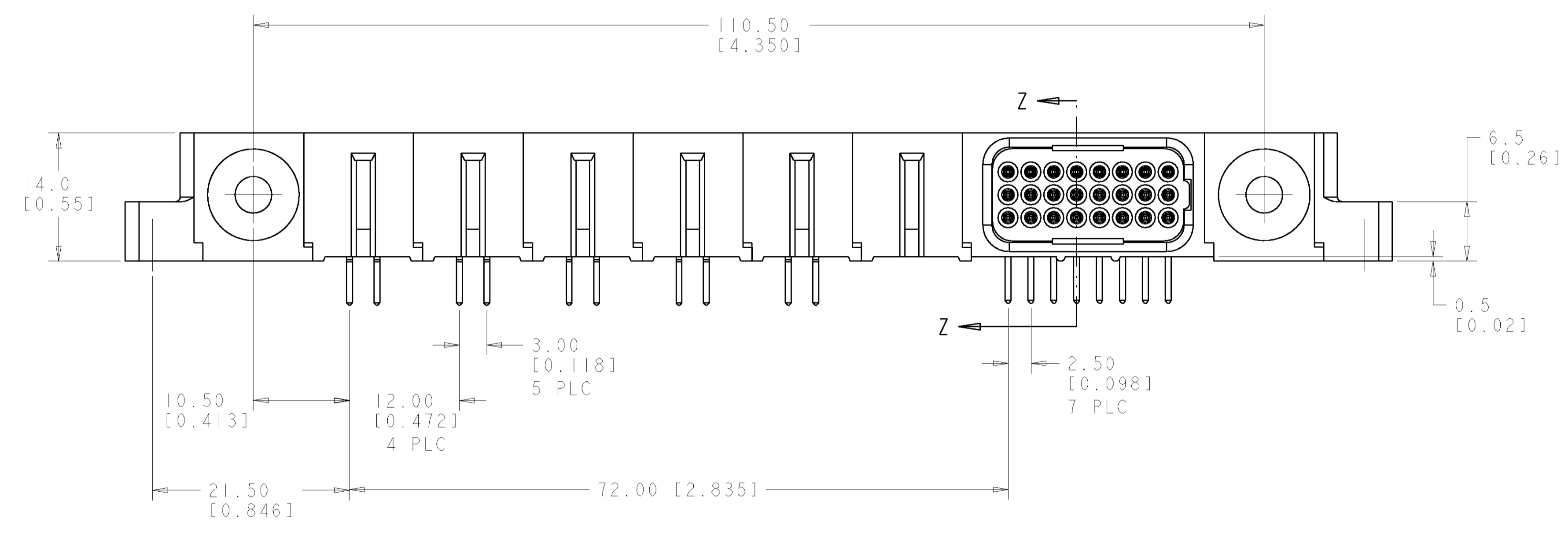
- PART NUMBER CHANGES AND OR DESIGN CHANGES AFFECTING ITEM INTERCHANGEABILITY REQUIRE PRIOR TYCO APPROVAL AND AUTHORIZATION BY REVISION TO THIS DRAWING.
- MATERIAL:
 INSULATORS - THERMOPLASTIC, GLASS REINFORCED, COLOR: BLACK, UL94V-0 FLAMMABILITY RATED.
 POWER CONTACTS - PHOSPHOR BRONZE ALLOY,
 SOLDER SIGNAL PINS - BRASS ALLOY
 CROWN BAND - BERYLLIUM COPPER
- FINISH:
 CONTACTS - GOLD PLATE .000030" INCH MIN. THK. OVER NICKEL .000050" INCH MIN. THK.
 SOLDER TAILS TIN .000100" INCH MIN. THK. OVER .000050" MIN. THK. NICKEL.

ITEMS PROVIDED TO THIS SPECIFICATION TO BE PERMANENTLY IDENTIFIED PER THE FOLLOWING IDENTIFIER LABEL

YEAR WEEK

TYCO PART NO. XXXXXXXX-X DATE CODE (e.g. 0106) XXXX

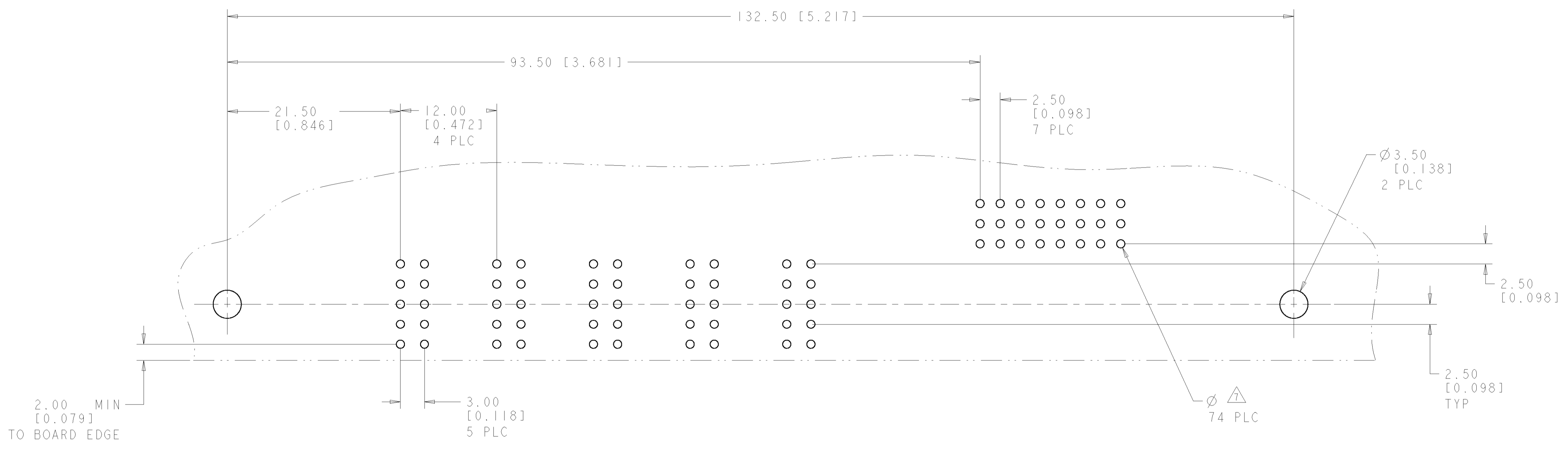
MOUNTING FLANGES ACCEPT M3 OR NO.4 SCREWS, (USER SUPPLIED)



ELCON FLATPAQ

AS SHOWN		1926221-1	
DESCRIPTION		PART NUMBER	
DIMENSIONS: mm [INCHES] TOLERANCES UNLESS OTHERWISE SPECIFIED: 0 PLC ±. 1 PLC ±.5 (.020) 2 PLC ±.25 (.010) 3 PLC ±. 4 PLC ±. ANGLES ±.5 FINISH:		DWN: R. GRZYBOWSKI 17AUG06 ENR: S. FLICKINGER 17AUG06 APD: S. FLICKINGER 17AUG06 PRODUCT SPEC: - APPLICATION SPEC: - WEIGHT: - CUSTOMER DRAWING:	
MATERIAL: - FINISH: -		NAME: tyco Tyco Electronics Harrisburg, PA 17105-3608 RIGHT ANGLE SOCKET SOLDER TAILS FLATPAQ SIZE: A 00779 C=1926221 SCALE: 3:1 SHEET 1 OF 3 REV A	

LOC	DIST	REVISIONS			
P	LTR	DESCRIPTION	DATE	DRN	APVD
-	-	SEE SHEET 1	-	-	-



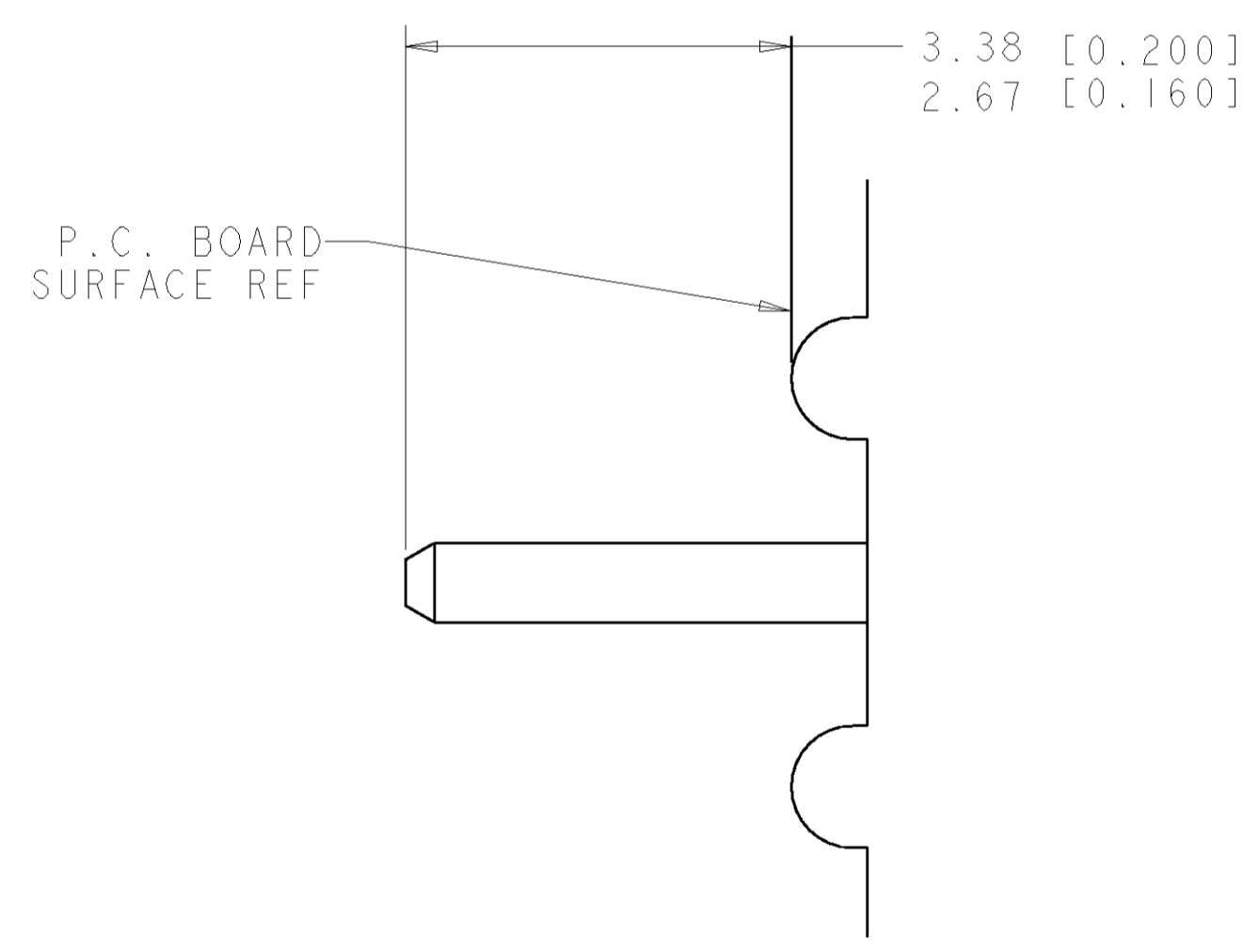
PRINTED CIRCUIT LAYOUT
 COMPONENT SIDE

CONNECTOR	CATALOG MODULE #	QTY	SIZE NO.	CONTACT QTY	MATING PIN	MAX. CURRENT (PER CONTACT)	CONTACT SPACING	VOLTAGE RATING
SOCKET	FP120	5	8	5	1.25 X 7.00 [.049 X .276]	35 amps	7.50 [.2953]	250
	FP303	1	22	24	.64 SQ. [.025]	3 amps	2.50 [.0984]	125
	FP0506	2	RIGHT ANGLE GUIDE SOCKET					
	FP0500	1	LEFT MOUNTING FLANGE					
	FP0501	1	RIGHT MOUNTING FLANGE					

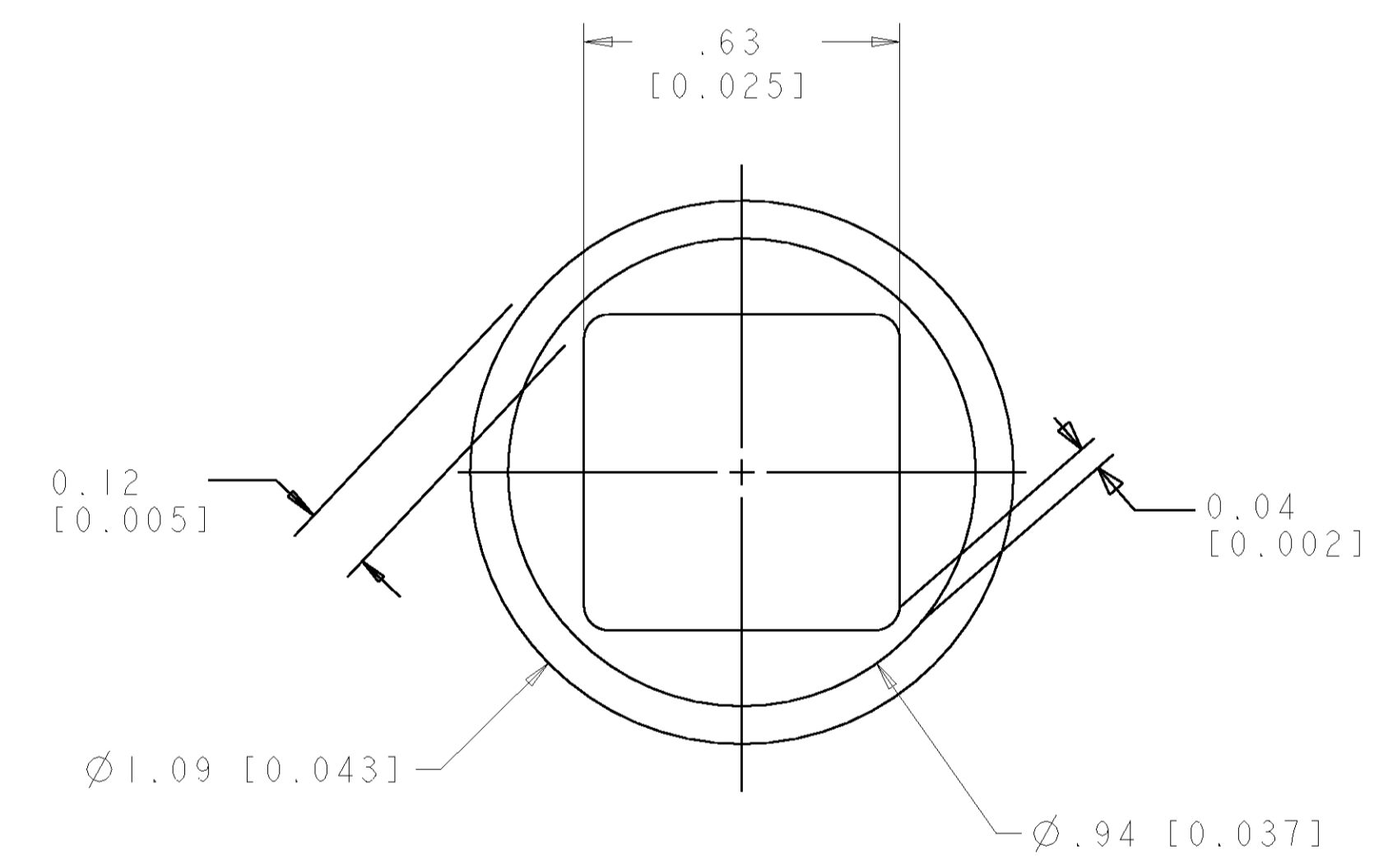
ELCON FLATPAQ

DIMENSIONS: mm [INCHES] 		TOLERANCES UNLESS OTHERWISE SPECIFIED: 0 PLC ±. 1 PLC ±.5 [.020] 2 PLC ±.25 [.010] 3 PLC ±. 4 PLC ±. ANGLES ±.5		DRN: B. GRZYBOWSKI CHK: S. FLICKINGER APVD: S. FLICKINGER	I1AUG06 I1AUG06 I1AUG06	tyco Electronics Tyco Electronics Harrisburg, PA 17105-3608
MATERIAL: - FINISH: -		WEIGHT: - CUSTOMER DRAWING		NAME: RIGHT ANGLE SOCKET CONNECTOR SOLDER TAILS FLATPAQ SIZE: A 00779 C=1926221 SCALE: 3:1 SHEET 2 OF 3 REV A		

LOC	DIST	REVISIONS			
P	LTR	DESCRIPTION	DATE	DWN	APVD
-	-	SEE SHEET 1	-	-	-



6. SOLDER TAIL DETAIL
SCALE 10 : 1



⚠ SOLDER TERMINATION AREA
 SCALE 40:1
 RECOMMENDED PRINTED CIRCUIT HOLE
 SOLDER HOLE
 FINISHED HOLE: Ø1.02 [.040] ±.008 [.0003]
 DRILLED HOLE: Ø1.15 [.0453] ±.013 [.0005]
 COPPER PLATE: .025 [.0010] MIN
 TIN PLATE: .008 [.0003] MIN. (PER SURFACE)

ELCON FLATPAQ

<small>THE DIMENSIONS IN DIMENSIONS SPECIFIED FOR THIS DRAWING ARE UNLESS OTHERWISE SPECIFIED IN THE DIMENSIONS SPECIFIED FOR THIS DRAWING OR OTHERWISE SPECIFIED IN THE DIMENSIONS SPECIFIED FOR THIS DRAWING OR OTHERWISE SPECIFIED IN THE DIMENSIONS SPECIFIED FOR THIS DRAWING.</small>		DWN: B. GRZYBOWSKI TAUG06 CHK: S. FLICKINGER TAUG06 APVD: S. FLICKINGER TAUG06	tyco Tyco Electronics Harrisburg, PA 17105-3608
DIMENSIONS: mm [INCHES]	TOLERANCES UNLESS OTHERWISE SPECIFIED: 0 PLC ±. 1 PLC ±.5 [.020] 2 PLC ±.25 [.010] 3 PLC ±. 4 PLC ±. ANGLES ±.5	NAME: S. FLICKINGER TAUG06 PRODUCT SPEC: APPLICATION SPEC:	RIGHT ANGLE SOCKET CONNECTOR SOLDER TAILS FLATPAQ
MATERIAL: -	FINISH: -	WEIGHT: -	RESTRICTED TO: -
CUSTOMER DRAWING		SCALE: 3:1	SHEET 3 OF 3 REV A