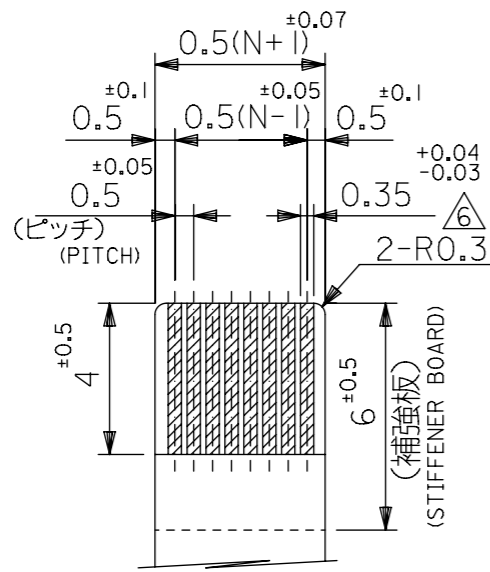


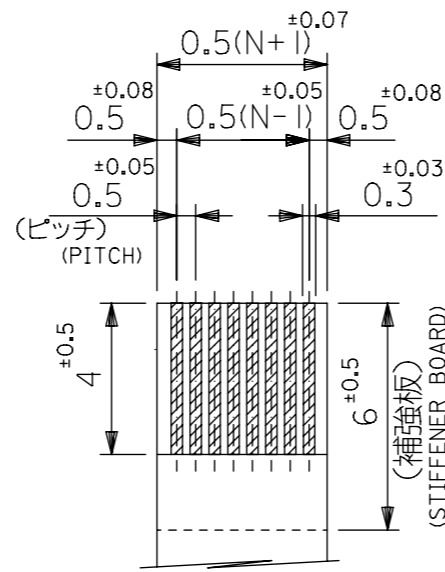
注記 NOTES

- 1. 使用材料 : MATERIAL
 - ハウジング HOUSING : 46ナイロン、UL94V-0 46NYLON
 - アクチュエータ ACTUATOR : PPS、UL94V-0
 - ターミナル TERMINAL : リン青銅 (t=0.2) PHOS-BRO
 - 金具 FITTING NAIL : リン青銅 (t=0.2) PHOS-BRO
 - ハウジング HOUSING : 錫ビスマスマッキ 1.0マイクロメートル以上 TIN-BISMUTH 1.0 MICROMETER MINIMUM
 - ハウジング HOUSING : ニッケル下地 1.0マイクロメートル以上 NICKEL (UNDER PLATING) 1.0 MICROMETER MINIMUM
 - 金具 FITTING NAIL : 錫メッキ 1.0マイクロメートル以上 TIN 1.0 MICROMETER MINIMUM
 - 金具 FITTING NAIL : ニッケル下地 1.0マイクロメートル以上 NICKEL (UNDER PLATING) 1.0 MICROMETER MINIMUM
- 2. エンボステーブ梱包時は、アクチュエータがロックした状態とする。
IN THE PACKAGE, ACTUATOR OF PART NO.52435-***26 SHOULD BE LOCKED.
- △3 ソルダータール半田付け面のズレ量、及び金具半田付け面のズレ量は、基準面 H に対し上方向 0.1 MAX. , 下方向 0.15MAX. とする。
MISALIGNMENT OF SOLDER TAILS AND FITTING NAILS FROM H UPPER DIRECTION: 0.1 MAX. , LOWER DIRECTION: 0.15MAX.
- △4 偶数極に適用。
APPLY FOR EVEN CIRCUIT.
- △5 パターンはくり止め用金具。
FITTING NAIL FOR PREVENTION OF PEELING OF P.C.B. PATTERN.
- △6 R0.3は、FPCの導体部にかからないこと。
R0.3 MUST NOT BE OVERLAPPED TO PATTERN OF FPC.
- 7. 本製品は52435-***27の鉛フリー品です。
THIS PRODUCT IS LEAD FREE OF 52435-***27.

52435-***26		MODEL NO.	
molex			
0.5 FPC CONN ZIF FOR SMT R/A (TOP CONTACT) -LEAD FREE-			
PRODUCT CUSTOMER DRAWING			
DOCUMENT NUMBER		DOC TYPE	DOC PART
SD-52435-019		PSD	001
REVISION		DATE	REVISED BY
2022/09/05		05:51:49	
DRAWING		SERIES	MATERIAL NUMBER
A3-SIZE		52435	GENERAL MARKET
SHEET NUMBER		1 OF 2	



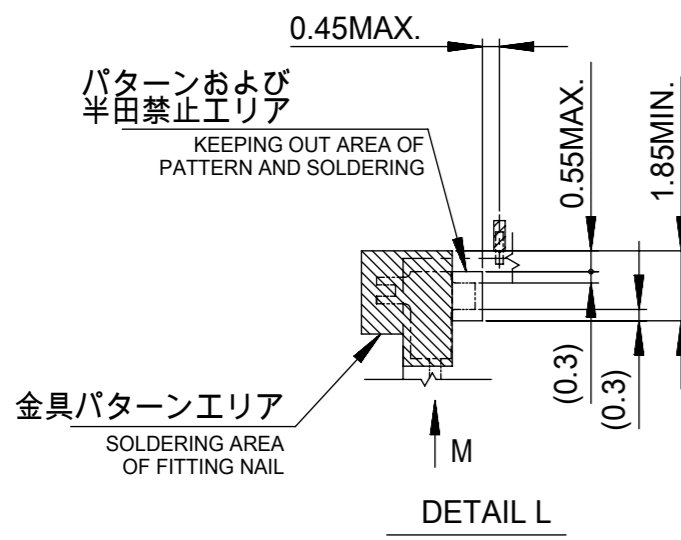
適合FPC推奨寸法
 APPLICABLE FPC
 RECOMMENDED DIMENSION.
 (仕上がり厚さ: 0.3 ±0.05)
 (THICKNESS: 0.3 ±0.05)



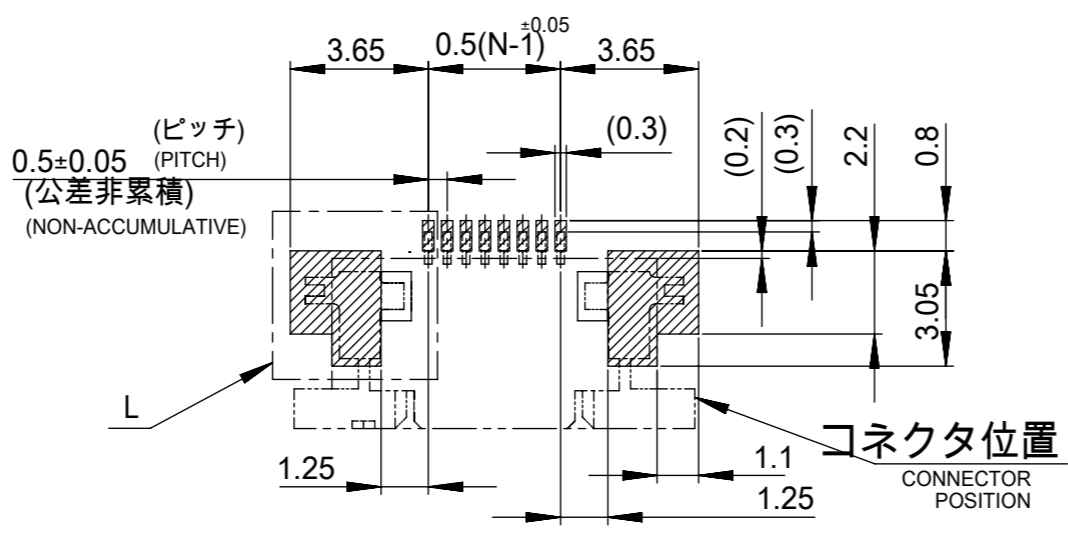
適合FFC推奨寸法
 APPLICABLE FFC
 RECOMMENDED DIMENSION.
 (仕上がり厚さ: 0.3 ±0.05)
 (THICKNESS: 0.3 ±0.05)

FPCについて:
 打抜き方向は導体側から補強板側を推奨致します。
 補強フィルム材質はポリイミドを推奨致します。
 接着剤は熱硬化接着剤を推奨致します。

ABOUT FPC:
 RECOMMENDED PUNCHER DIRECTION : FROM CONDUCTOR SIDE TO STIFFENER BOARD SIDE.
 RECOMMENDED MATERIAL :
 STIFFENER FILM : POLYIMIDE
 BONDING AGENT : THERMOSETTING BONDING AGENT



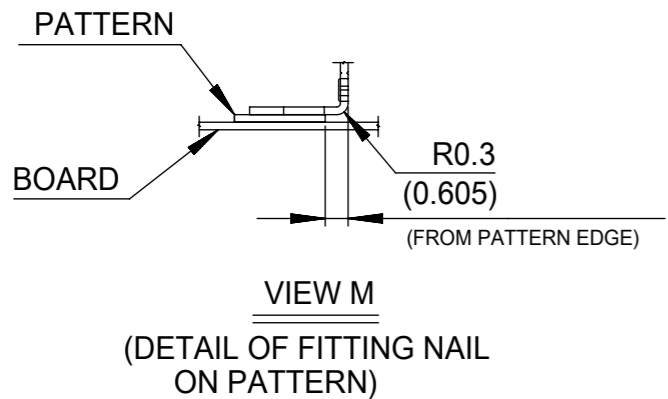
DETAIL L



参考基板レイアウト
 (マウント面)

RECOMMENDED P.C. BOARD
 PATTERN DIMENSION (REF.)
 (MOUNTING SIDE)

21.6	19.6	15.65	14.5	52435-3072	52435-3026	30
21.1	19.1	15.15	14.0	-2972	-2926	29
20.6	18.6	14.65	13.5	-2872	-2826	28
20.1	18.1	14.15	13.0	-2772	-2726	27
19.6	17.6	13.65	12.5	-2672	-2626	26
19.1	17.1	13.15	12.0	-2572	-2526	25
18.6	16.6	12.65	11.5	-2472	-2426	24
18.1	16.1	12.15	11.0	-2372	-2326	23
17.6	15.6	11.65	10.5	-2272	-2226	22
17.1	15.1	11.15	10.0	52435-2172	52435-2126	21
D	C	B	(A)	EMBOSSED TAPE	MATERIAL NO.	極数 CKT.
				ORDER No. オーダー番号		



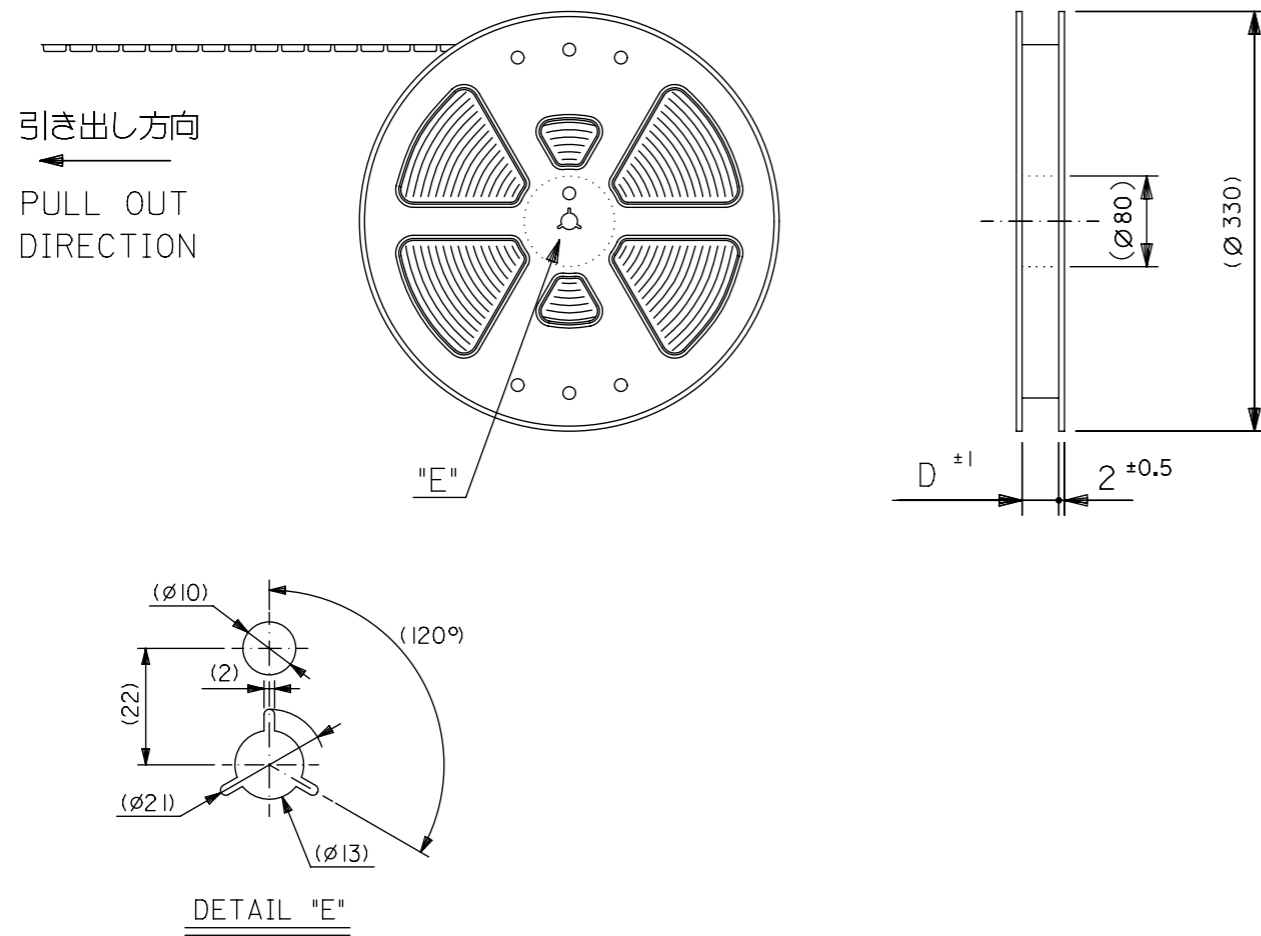
VIEW M
 (DETAIL OF FITTING NAIL
 ON PATTERN)

GENERAL TOLERANCES (UNLESS SPECIFIED)

10 ^{UNDER}	±0.2
10 ^{OVER} 30 ^{UNDER}	±0.25
30 ^{OVER}	±0.3
ANGULAR	±3°

THIS DRAWING CONTAINS INFORMATION THAT IS PROPRIETARY TO MOLEX ELECTRONIC TECHNOLOGIES, LLC AND SHOULD NOT BE USED WITHOUT WRITTEN PERMISSION

DIMENSION UNITS	SCALE	CURRENT REV DESC.	molex		
mm	NTS				
GENERAL TOLERANCES (UNLESS SPECIFIED)			0.5 FPC CONN ZIF FOR SMT R/A (TOP CONTACT) - LEAD FREE-		
ANGULAR TOL ± °			PRODUCT CUSTOMER DRAWING		
4 PLACES ±			DOCUMENT NUMBER		
3 PLACES ±			DOC TYPE		
2 PLACES ±			DOC PART		
1 PLACE ±			REVISION		
0 PLACES ±			SD-52435-019		
DRAFT WHERE APPLICABLE MUST REMAIN WITHIN DIMENSIONS			MATERIAL NUMBER		
THIRD ANGLE PROJECTION			CUSTOMER		
DRAWING			SHEET NUMBER		
SERIES			GENERAL MARKET		
MATERIAL NUMBER			2 OF 2		

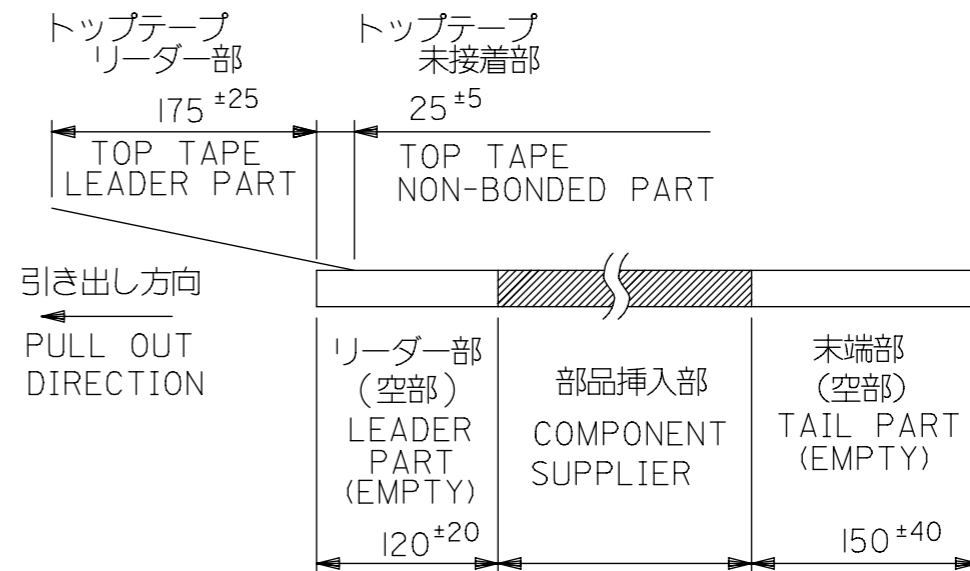


5. 材料 (MATERIAL)
 キャリアテープ (CARRIER TAPE): ポリプロピレン (POLYPROPYLENE)
 トップテープ (TOPTAPE): PET, PE, PEF
 リール (REEL): ポリスチレン (PS) <リサイクル材を含む>
 POLYSTYREN (PS) <RECYCLE MATERIAL CONTAINED>

6. 本製品は52435-**-91の鉛フリー品です。
 THIS PRODUCT IS LEAD FREE OF 52435-**-91.

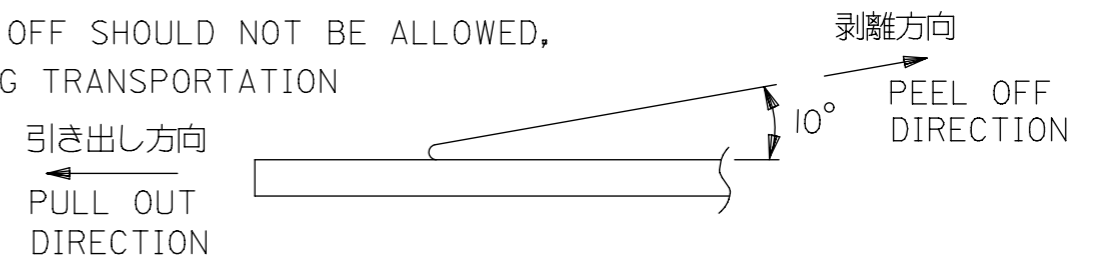
注記 NOTES

- 製品番号 52435-**-26 の梱包状態はアクチュエータがロックした状態とする。
 詳細寸法については図面 SD-52435-019 を参照下さい。
 IN THE PACKAGE, ACTUATOR OF PART NO. 52435-**-26 SHOULD BE LOCKED RE DETAILED DIMENSIONS, SEE SD-52435-019
- 梱包数量: 1000個/リール
 NUMBER OF CONNECTORS: 1000PCS/REEL
- リードテープ長さ LEAD TAPE LENGTH

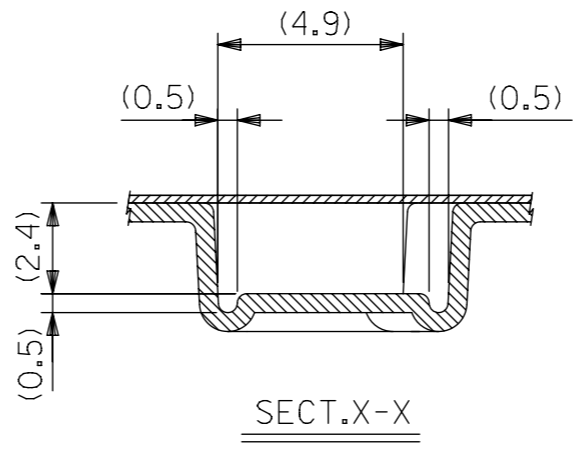
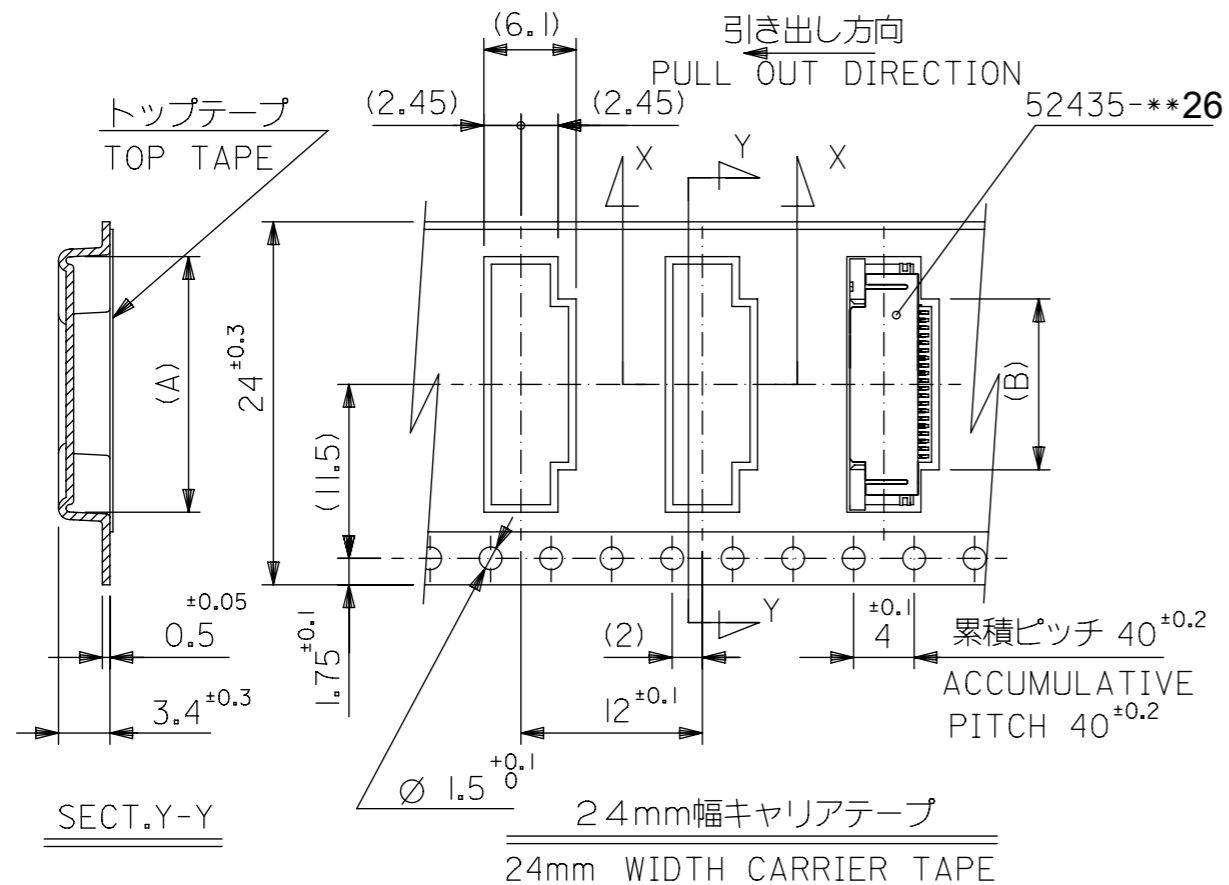


- トップテープの剥離強度: (剥離方向は下図参照)
 0.1N ~ 1.3N (10gf ~ 130gf) 尚、本規格値は、出荷時に適用。
 (但し、輸送時に剥離が発生しない事。)

PEELING OFF FORCE OF TOP TAPE
 0.1N ~ 1.3N (10gf ~ 130gf) (PEELING DIRECTION AS SHOWN IN FOLLOWING FIG.)
 THIS REQUIREMENT SHOULD BE APPLIED AT SHIPMENT
 PEEL OFF SHOULD NOT BE ALLOWED,
 DURING TRANSPORTATION

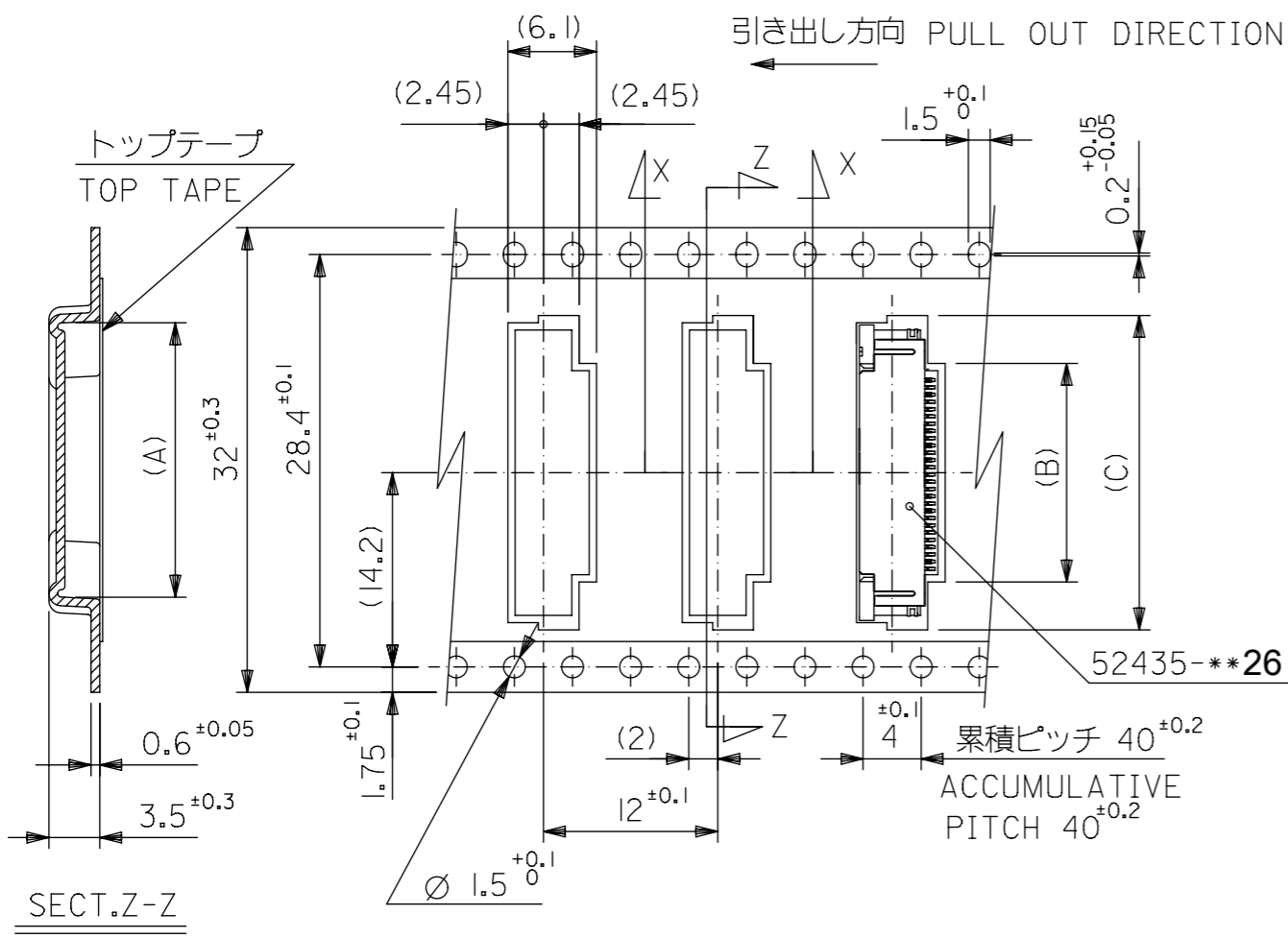


DIMENSION UNITS		SCALE		CURRENT REV DESC:				molex					
mm		NTS		EC NO: 719890				0.5 FPC CONN ZIF SMT R/A					
GENERAL TOLERANCES (UNLESS SPECIFIED)		ANGULAR TOL ± 3.0°		DRWN: NARENC 2022/08/23				WITH TAPE EMBSTP PKG -LEAD FREE-					
10 ^{UNDER}		±0.2		CHK'D: SMARUYAMA 2022/09/05				PRODUCT CUSTOMER DRAWING					
10 ^{OVER} 30 ^{UNDER}		±0.25		APPR: YNAITO 2022/09/05				DOCUMENT NUMBER		DOC TYPE		DOC PART	
30 ^{OVER}		±0.3		INITIAL REVISION:				SD-52435-020		PSD		001 E	
ANGULAR		±3°		DRWN: YMAEDA 2005/11/15		SERIES		MATERIAL NUMBER		CUSTOMER		SHEET NUMBER	
				APPR: NUKITA 2005/11/21		52435		SEE TABLE		GENERAL MARKET		1 OF 3	
DRAFT WHERE APPLICABLE MUST REMAIN WITHIN DIMENSIONS				THIRD ANGLE PROJECTION		DRAWING		CUSTOMER					



24	25.5	11.8	17.4	52435-2172	21
キャリアテープ幅 CARRIER TAPE WIDTH	D	(B)	(A)	ENG. NO.	極数 CIRCUIT

24mm幅キャリアテープ
24mm WIDTH CARRIER TAPE



32	33.5	22.4	15.8	21.4	52435-2972	29
		21.9	15.3	20.9	-2872	28
		21.4	14.8	20.4	-2772	27
		20.9	14.3	19.9	-2672	26
		20.4	13.8	19.4	-2572	25
		19.9	13.3	18.9	-2472	24
		19.4	12.8	18.4	-2372	23
		18.9	12.3	17.9	52435-2272	22
キャリアテープ幅 CARRIER TAPE WIDTH	D	(C)	(B)	(A)	ENG. NO.	極数 CIRCUIT

32mm幅キャリアテープ
32mm WIDTH CARRIER TAPE

GENERAL TOLERANCES (UNLESS SPECIFIED)

10 ^{UNDER}	±0.2
10 ^{OVER} 30 ^{UNDER}	±0.25
30 ^{OVER}	±0.3
ANGULAR	±3°

THIS DRAWING CONTAINS INFORMATION THAT IS PROPRIETARY TO MOLEX ELECTRONIC TECHNOLOGIES, LLC AND SHOULD NOT BE USED WITHOUT WRITTEN PERMISSION

mm NTS

GENERAL TOLERANCES (UNLESS SPECIFIED)

ANGULAR TOL ± 3.0°

4 PLACES ±

3 PLACES ±

2 PLACES ±

1 PLACE ±

0 PLACES ±

DRAFT WHERE APPLICABLE MUST REMAIN WITHIN DIMENSIONS

THIRD ANGLE PROJECTION

DRAWING A3-SIZE

SERIES 52435

MATERIAL NUMBER SEE TABLE

CUSTOMER GENERAL MARKET

SHEET NUMBER 2 OF 3

EC NO: 719890

DRWN: NARENC 2022/08/23

CHK'D: SMARUYAMA 2022/09/05

APPR: YNAITO 2022/09/05

INITIAL REVISION:

DRWN: YMAEDA 2005/11/15

APPR: NUKITA 2005/11/21

DOCUMENT NUMBER SD-52435-020

DOC TYPE PSD

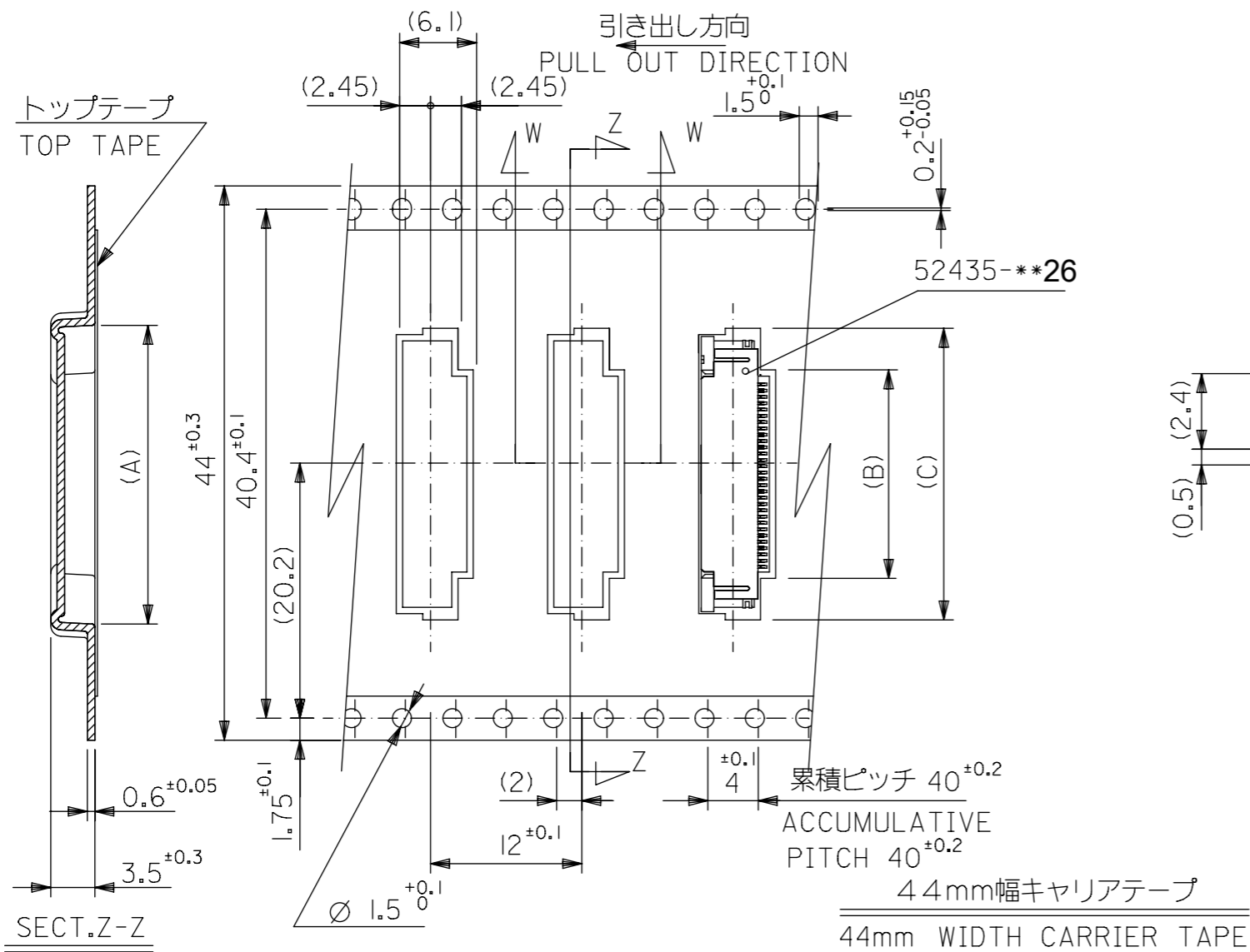
DOC PART 001

REVISION E

molex

0.5 FPC CONN ZIF SMT R/A WITH TAPE EMBSTP PKG -LEAD FREE-

PRODUCT CUSTOMER DRAWING



44	45.5	22.9	16.3	21.9	52435-3072	30
キャリアテープ幅 CARRIER TAPE WIDTH	D	(C)	(B)	(A)	ENG. NO.	極数 CIRCUIT

THIS DRAWING CONTAINS INFORMATION THAT IS PROPRIETARY TO MOLEX ELECTRONIC TECHNOLOGIES, LLC AND SHOULD NOT BE USED WITHOUT WRITTEN PERMISSION		CURRENT REV DESC:		molex	
DIMENSION UNITS	SCALE	EC NO: 719890			
mm	NTS	DRWN: NARENC 2022/08/23		0.5 FPC CONN ZIF SMT R/A WITH TAPE EMBSTP PKG -LEAD FREE-	
GENERAL TOLERANCES (UNLESS SPECIFIED)		CHK'D: SMARUYAMA 2022/09/05			
ANGULAR TOL ± 3.0°		APPR: YNAITO 2022/09/05		PRODUCT CUSTOMER DRAWING	
4 PLACES ±		INITIAL REVISION:		DOCUMENT NUMBER	
3 PLACES ±		DRWN: YMAEDA 2005/11/15		SD-52435-020	
2 PLACES ±		APPR: NUKITA 2005/11/21		DOC TYPE DOC PART REVISION	
1 PLACE ±		DRAFT WHERE APPLICABLE MUST REMAIN WITHIN DIMENSIONS		PSD 001 E	
0 PLACES ±		THIRD ANGLE PROJECTION		MATERIAL NUMBER CUSTOMER	
DRAFT WHERE APPLICABLE MUST REMAIN WITHIN DIMENSIONS		DRAWING		SHEET NUMBER	
ANGULAR ±3°		A3-SIZE		SEE TABLE GENERAL MARKET 3 OF 3	