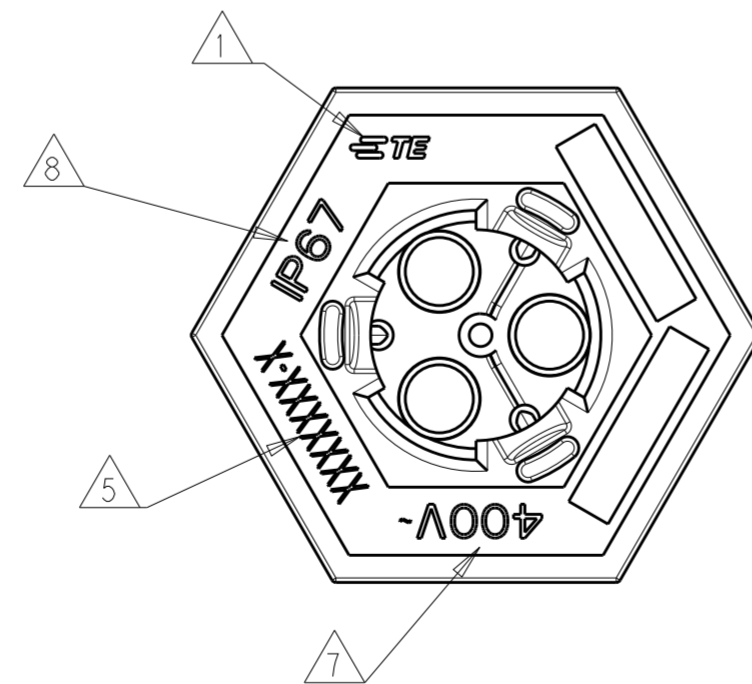
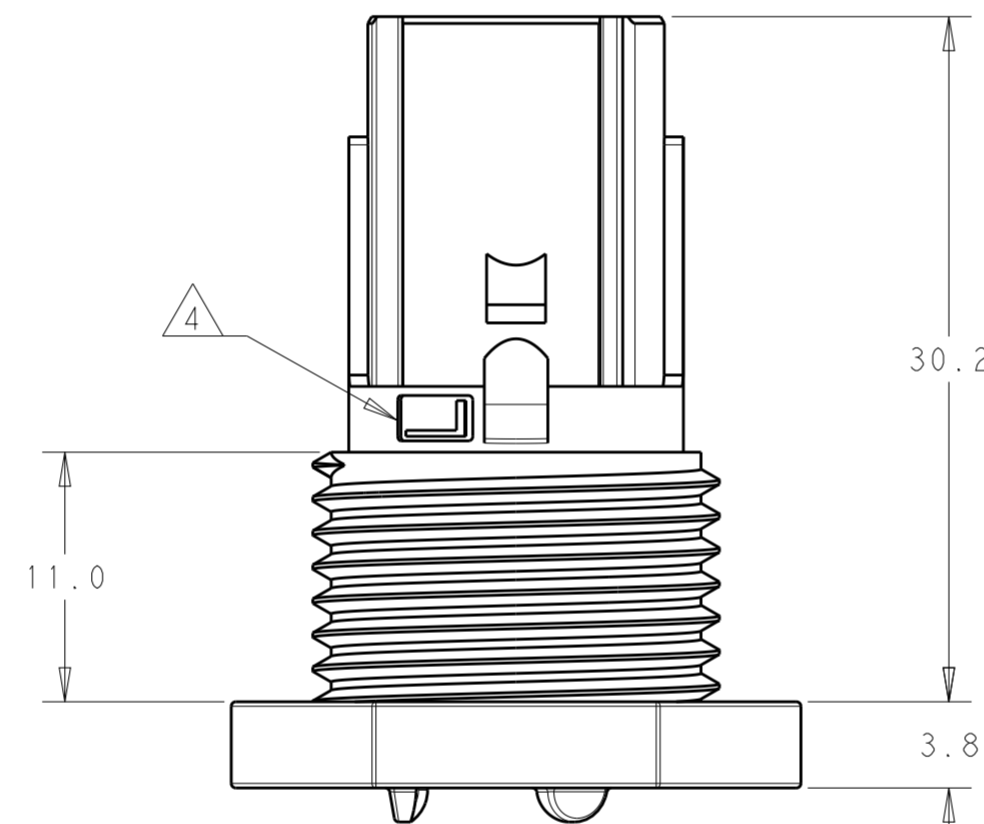
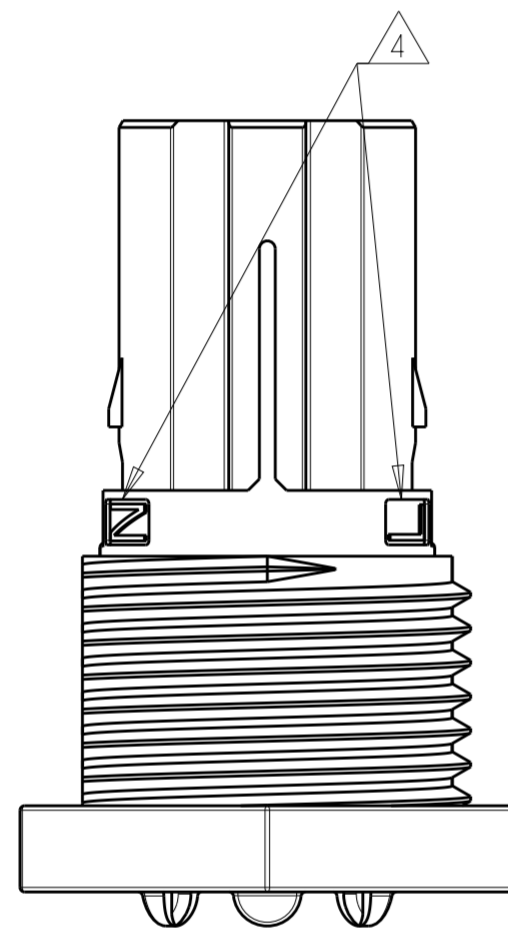
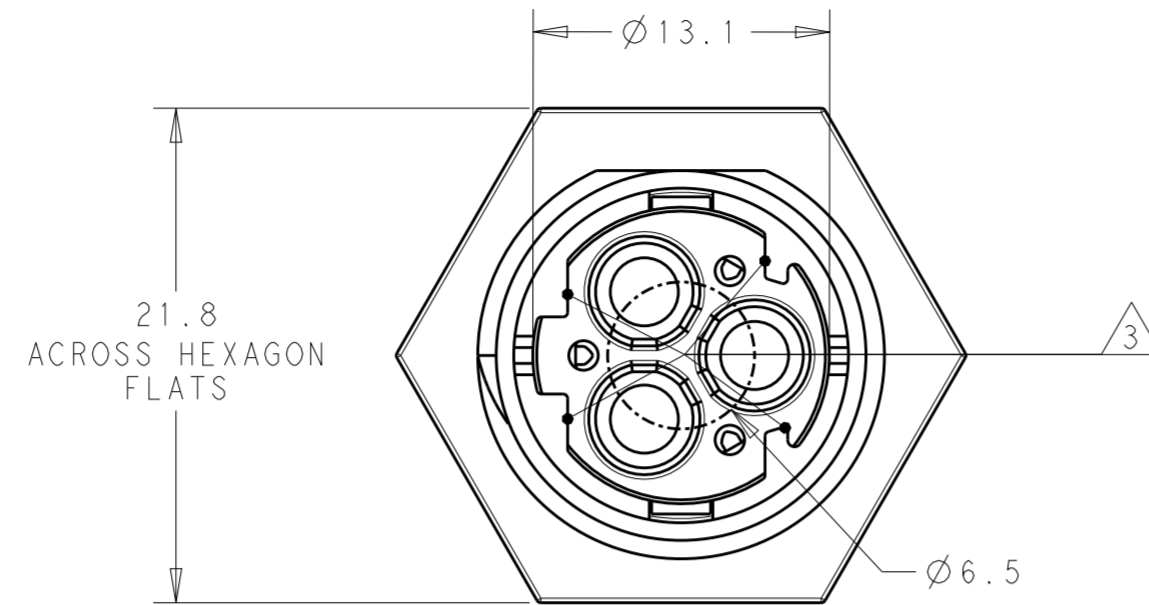


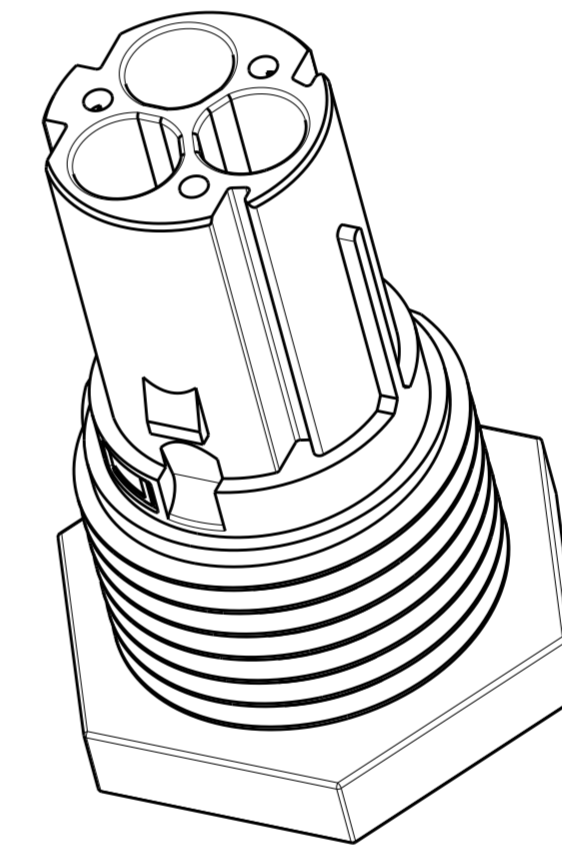
THIS DRAWING IS UNPUBLISHED. RELEASED FOR PUBLICATION 20
 © COPYRIGHT 20 BY - ALL RIGHTS RESERVED.

REVISIONS					
P	LTR	DESCRIPTION	DATE	DWN	APVD
A		REVISED AS PER ECR-15-005925	21APR2015	RS	JL
B		REVISED AS PER ECR-15-009789	07JUL2015	RS	JL
B1		REVISED AS PER ECR-15-011223	06AUG2015	RS	JL
B2		ECR-18-006945	05JUL2018	SR	MZ



NOTES:

- MATERIAL: GLASS FILLED PBT, COLOR: BLACK
- MUST COMPLY WITH DIRECTIVE 2002/95/EC (ROHS)
- ALL POLARIZATION KEYS SHOWN FOR REF ONLY.
- CIRCUIT I.D.
- TE PART NUMBER
- TE LOGO
- VOLTAGE RATING
- IP CODE
- THIS PRODUCT HAS NOT COMPLETED VALIDATION TESTING



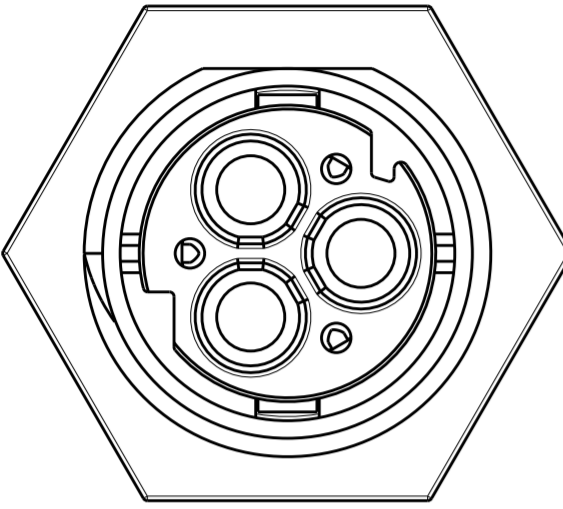
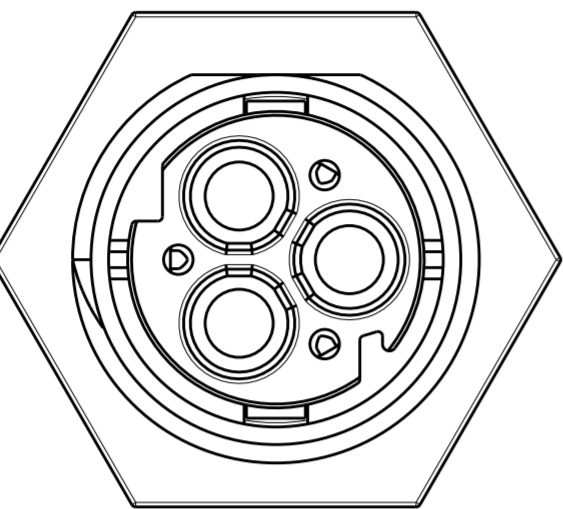
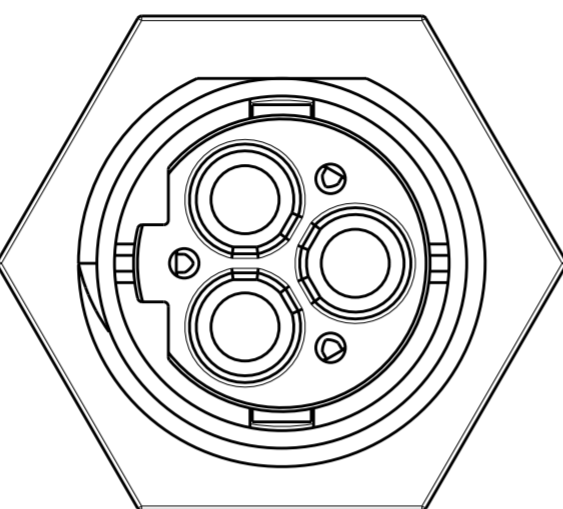
OBSOLETE	C	PANEL MOUNT PIN SEALED NECTOR 3 POSITION	2213464-3
	B	PANEL MOUNT PIN SEALED NECTOR 3 POSITION	2213464-2
	A	PANEL MOUNT PIN SEALED NECTOR 3 POSITION	2213464-1
	POLARIZATION TYPE	DESCRIPTION	PART NUMBER

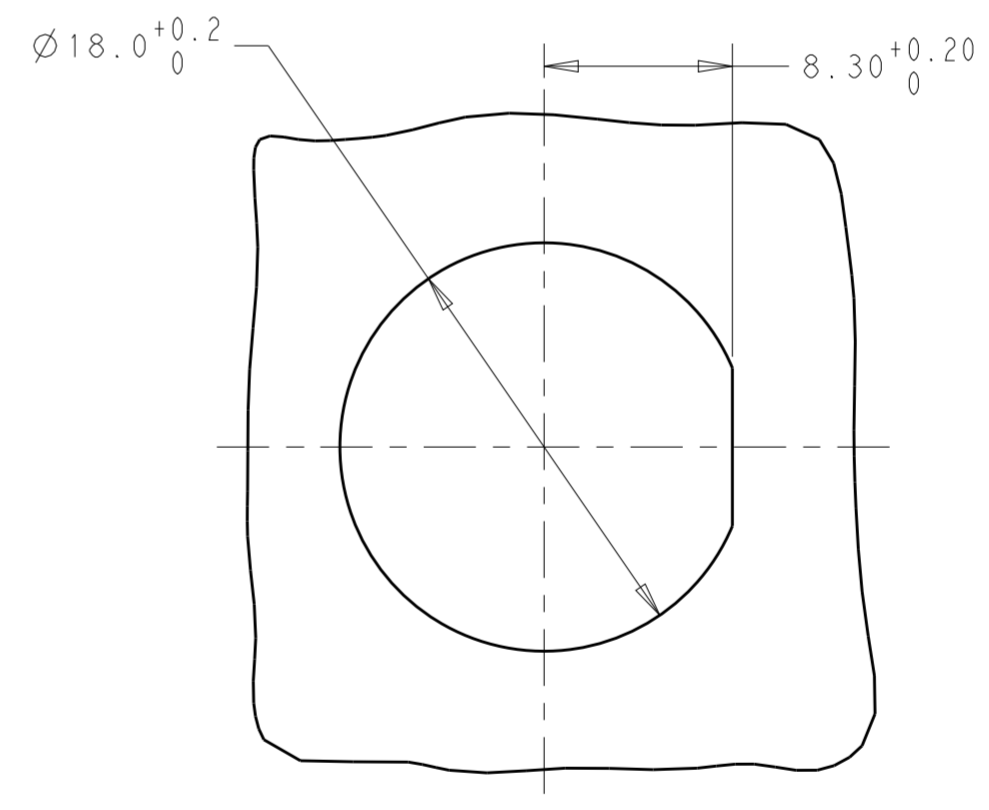
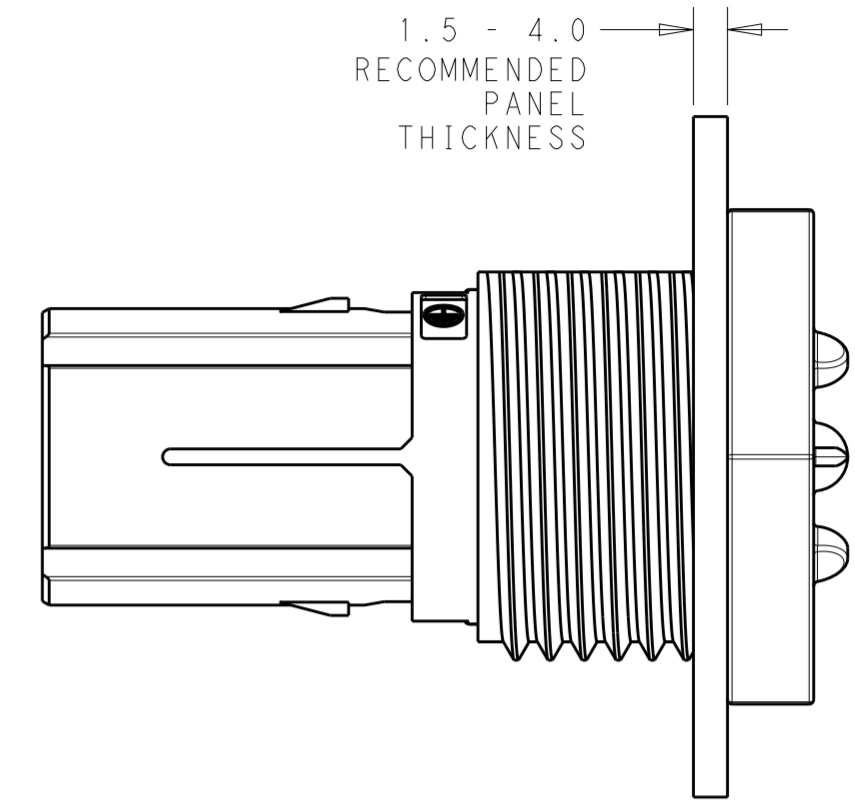
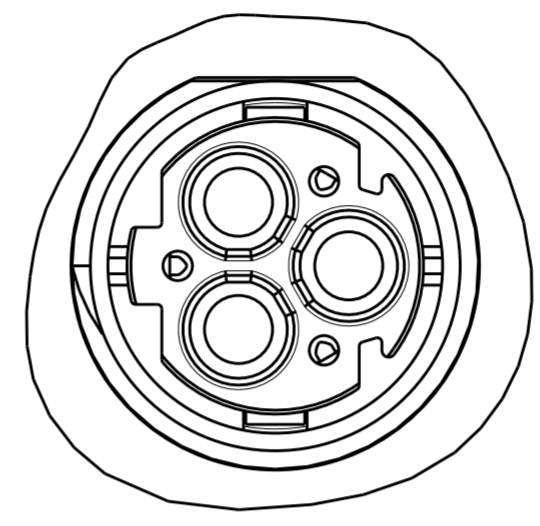
DIMENSIONS:		TOLERANCES UNLESS OTHERWISE SPECIFIED:		DWN		CHK		APVD		NAME	
mm	0 PLC	±		J. SHAFFER	20MAR2014	M. LUKSIC	20MAR2014	M. LUKSIC	20MAR2014	PANEL MOUNT, PIN; SEALED NECTOR M 3 POSITION	
	1 PLC	±0.3								SIZE	RESTRICTED TO
	2 PLC	±0.20								A2	-
	3 PLC	±								CAGE CODE	DRAWING NO
	4 PLC	±								-	G-2213464
	ANGLES	±3°								SCALE	SHEET
	FINISH	-								2:1	1 OF 2
MATERIAL	TBD	-								REV	B2
	-	-									

THIS DRAWING IS UNPUBLISHED. RELEASED FOR PUBLICATION 20
 © COPYRIGHT 20 BY - ALL RIGHTS RESERVED.

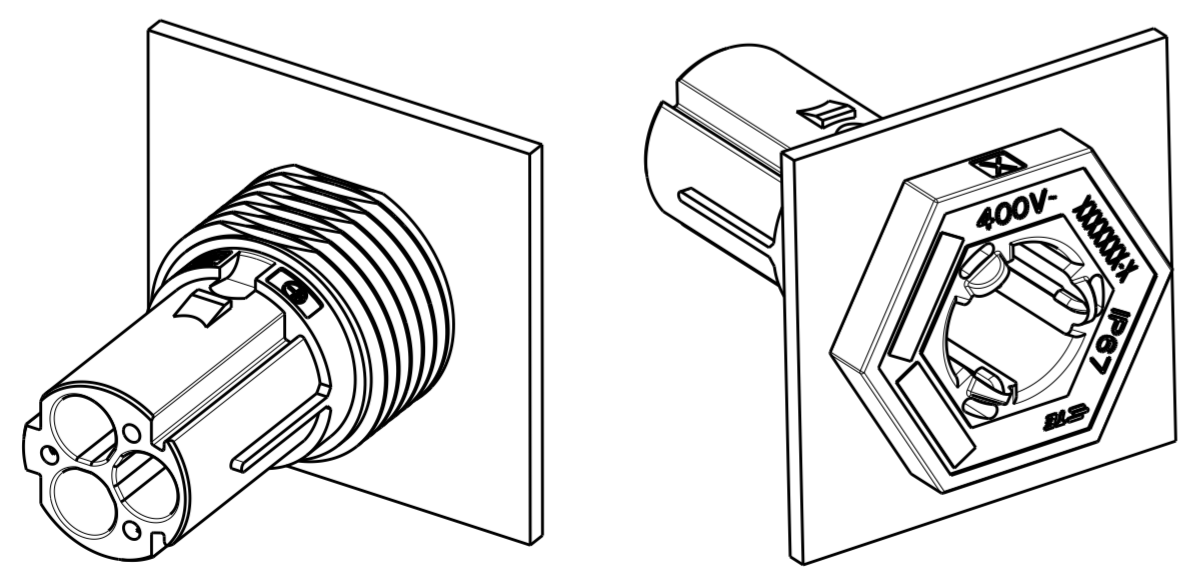
REVISIONS				
P	LTR	DESCRIPTION	DATE	APVD
-		SEE SHEET 1	-	-

POLARIZATION TYPES


POLARIZATION TYPE "A"	POLARIZATION TYPE "B"	POLARIZATION TYPE "C"
		
PN 2213464-1	PN 2213464-2	PN 2213464-3



RECOMMENDED
PANEL CUTOUT



3D VIEWS
FOR REFERENCE ONLY

THIS DRAWING IS A CONTROLLED DOCUMENT.		DWN J. SHAFFER 20MAR2014	 TE Connectivity	
DIMENSIONS: mm		CHK M. LUKSIC 20MAR2014		
TOLERANCES UNLESS OTHERWISE SPECIFIED:		APVD M. LUKSIC 20MAR2014	NAME PANEL MOUNT, PIN; SEALED NECTOR M 3 POSITION	
0 PLC ±		PRODUCT SPEC 108-133014	SIZE A2	
1 PLC ±0.3		APPLICATION SPEC 114-32111	CAGE CODE -	
2 PLC ±0.20		WEIGHT -	DRAWING NO. G-2213464	
3 PLC ±		Customer Drawing	RESTRICTED TO -	
4 PLC ±			SCALE 2:1	
ANGLES ±3°			SHEET 2 OF 2	
FINISH -			REV B2	
-				