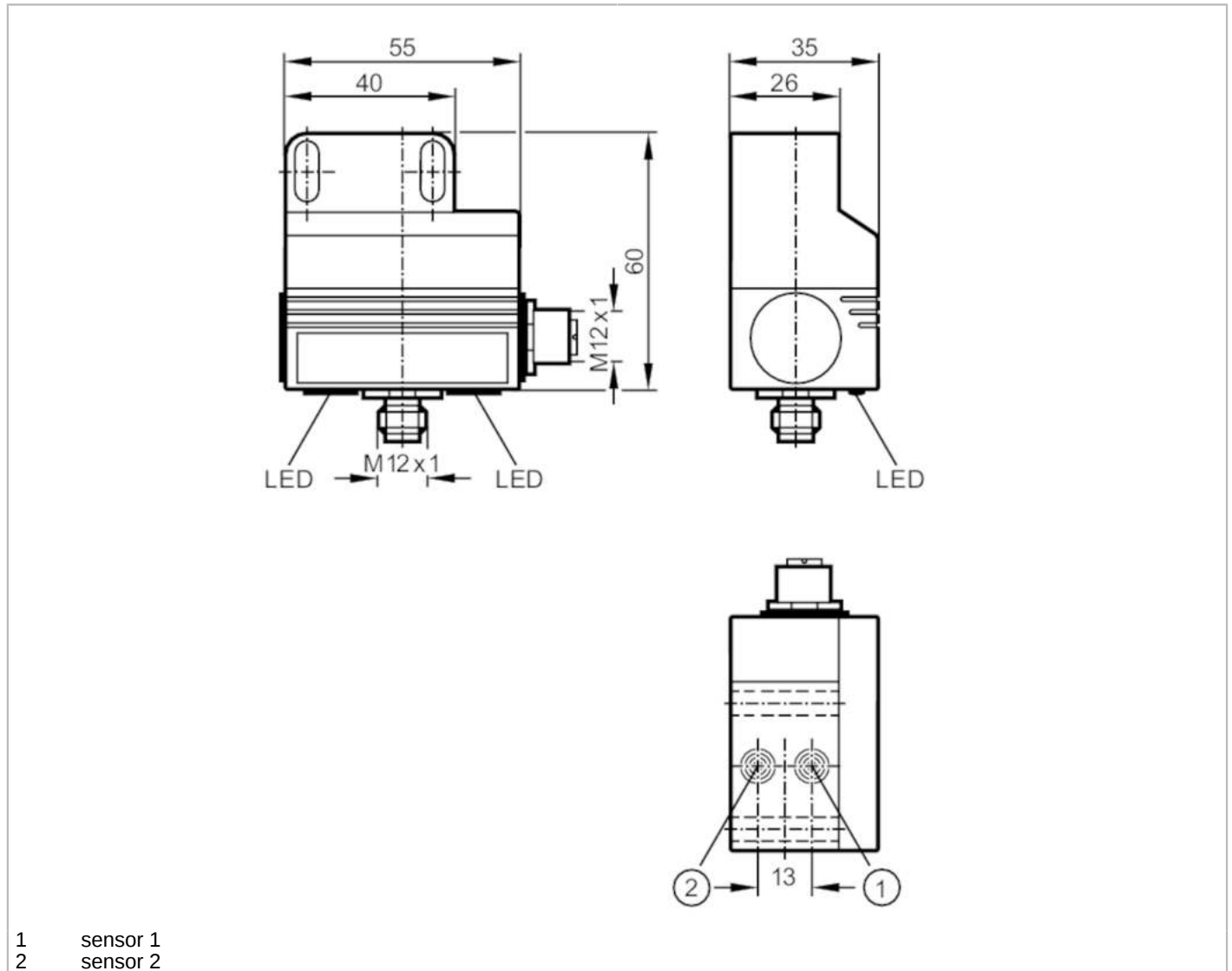


AC2316



AS-Interface dual sensor for pneumatic valve actuators

DUAL SENSOR T5 2SI 1DO T M12



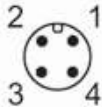
Product characteristics	
Electrical design	AS-i
Sensing range [mm]	4
Dimensions [mm]	55 x 60 x 35
Electrical data	
Operating voltage [V]	26.5...31.6 DC; ("supply class 2" to cULus)
Current consumption [mA]	< 160
Outputs	
Electrical design	AS-i
Permanent current rating of switching output DC [mA]	100
Detection zone	
Sensing range [mm]	4

AC2316



AS-Interface dual sensor for pneumatic valve actuators

DUAL SENSOR T5 2SI 1DO T M12

Operating conditions		
Ambient temperature	[°C]	-20...70
Protection		IP 67
Tests / approvals		
EMC		EN 50295
		EN 61000-6-2
MTTF	[years]	310
AS-i classification		
AS-i version		2.1
Extended addressing mode		yes
AS-i I/O configuration	[hex]	7
AS-i ID code	[hex]	A.E
AS-i certificate		75002
Mechanical data		
Weight	[g]	179
Mounting		non-flush mountable
Dimensions	[mm]	55 x 60 x 35
Materials		PBT
Displays / operating elements		
Display	switching status	2 x LED, yellow
Accessories		
Items supplied		Reinforcement bracket
		socket head screws: 2 x M5 x 35
		washers: 2
Remarks		
Pack quantity		1 pcs.
Electrical connection		
Electrical connection - plug		
Connector: 1 x M12; coding: A; Locking: stainless steel (1.4305 / 303)		
		

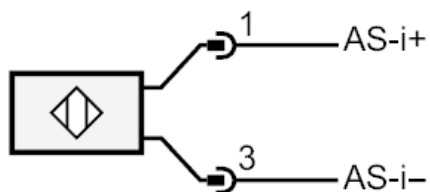
AC2316



AS-Interface dual sensor for pneumatic valve actuators

DUAL SENSOR T5 2SI 1DO T M12

Connection

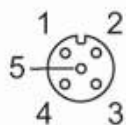


Electrical connection

1	AS-i +
3	AS-i -

Electrical connection - socket

Connector: 1 x M12; coding: A; Locking: stainless steel (1.4305 / 303)



Outputs

3	external voltage -
4	switching output 1 +