

A

B

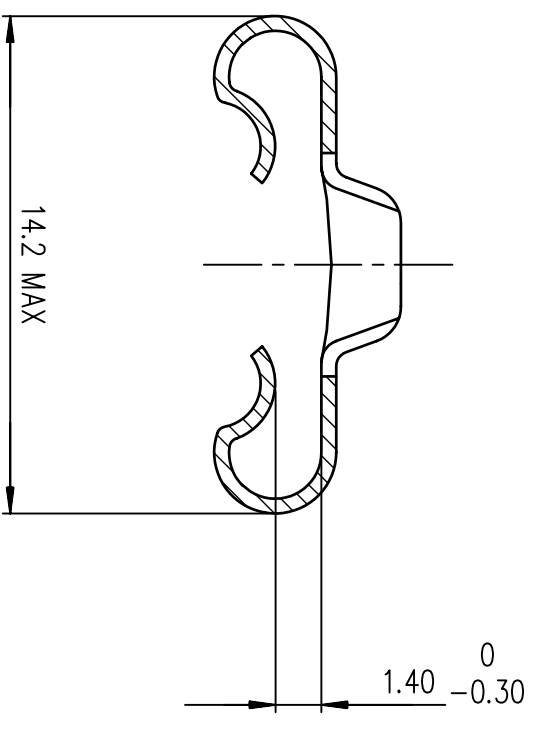
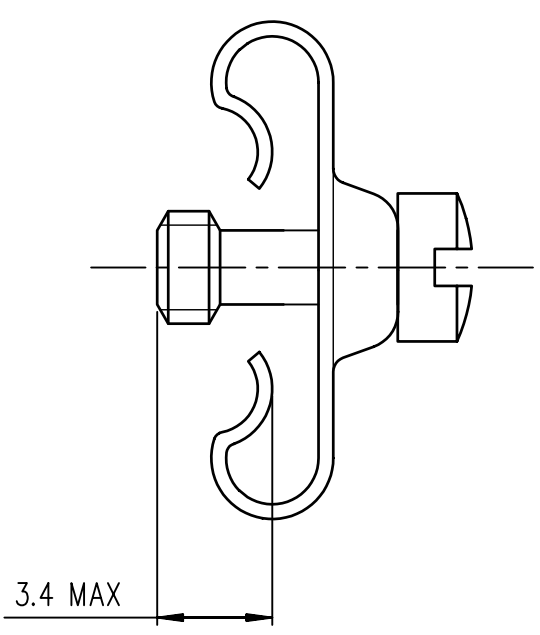
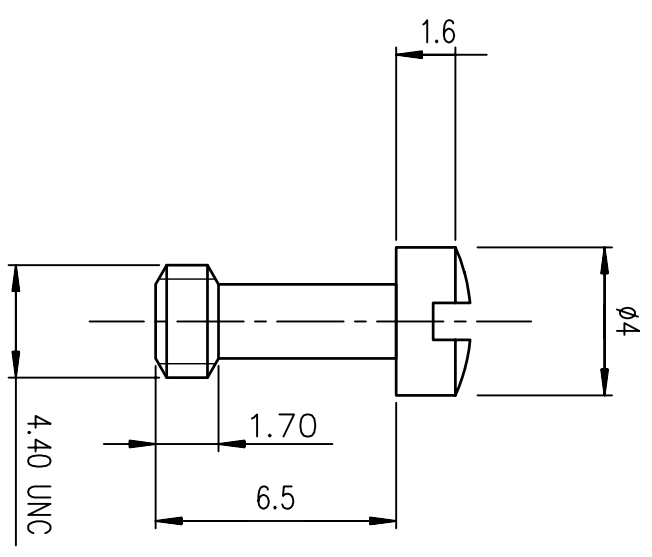
C

D

NOTES

Packaging:
per 100 pieces.
Corrosion resistance:
24 hours exposure to salt spray

ASSEMBLY VIEW



| | |
|-------------|------------|
| Part number | 863008AT |
| Part number | 863008ATLF |

NOTE: RoHS INFORMATIONS

- The "LF" products meet European union Directives and other country regulations as described in GS-22-008.
- Plating Sn (pure bright) over copper
- Packaging spec: see GS-14-920

| rev | ecn no | dr | date |
|-----|-------------|-----|------------|
| B | - | JOU | 2003/01/28 |
| C | LS05-0026 | MPE | 2005/07/08 |
| D | LS06-0097 | LGO | 2006/07/28 |
| E | I11-0022 | AMR | 2011/01/25 |
| F | ELX-H-01663 | PK | 2012/05/09 |
| G | ELX-H-01686 | PK | 2012/05/21 |

| | | | | | | | |
|--------------------|----------|------------|----------|---------------------------------------|------------------|--------------|--------------|
| www.fciconnect.com | | surface | ISO 1302 | tolerance std | ISO 406 ISO 1101 | projection | mm |
| Dr | JOUBERT | ANGULAR | ✓ | TOLERANCES UNLESS OTHERWISE SPECIFIED | | size | A3 |
| Eng | PESSON | LINEAR | | 0.X | ±0.1 | Scale | 5 |
| Chr | ABHILASH | 0.XX | | 0.XX | ±0.1 | ECN | ELX-H-011686 |
| Appr | SUDHIR | ±2 | | 0.XXX | ±0.1 | Spec ref | - |
| Product family | | D-SUB | | European Views | | | |
| MALE SCREW LOCKS | | Product no | | Rev. G | | | |
| catalog no | | - | | CUSTOMER | | sheet 1 of 1 | |