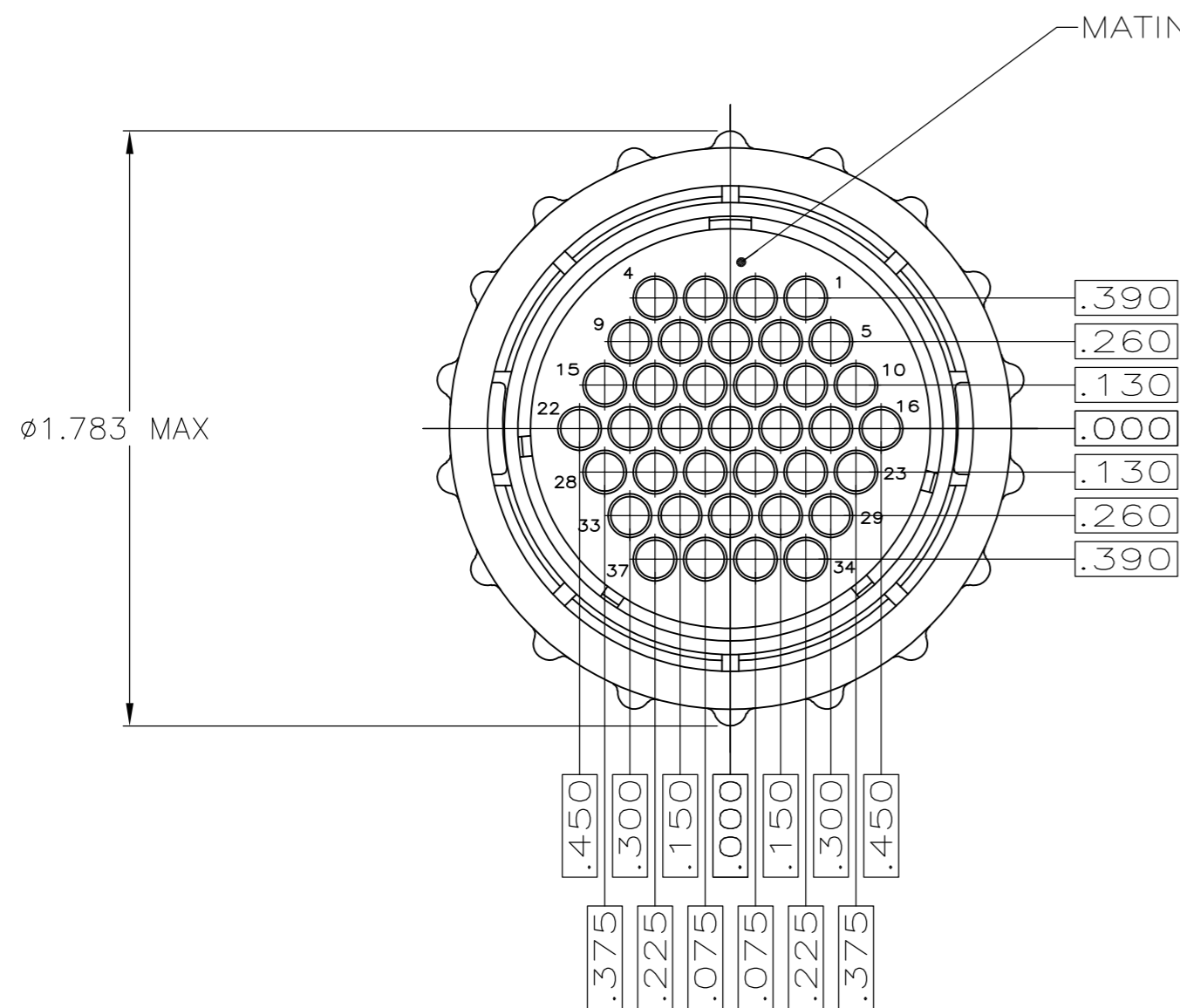
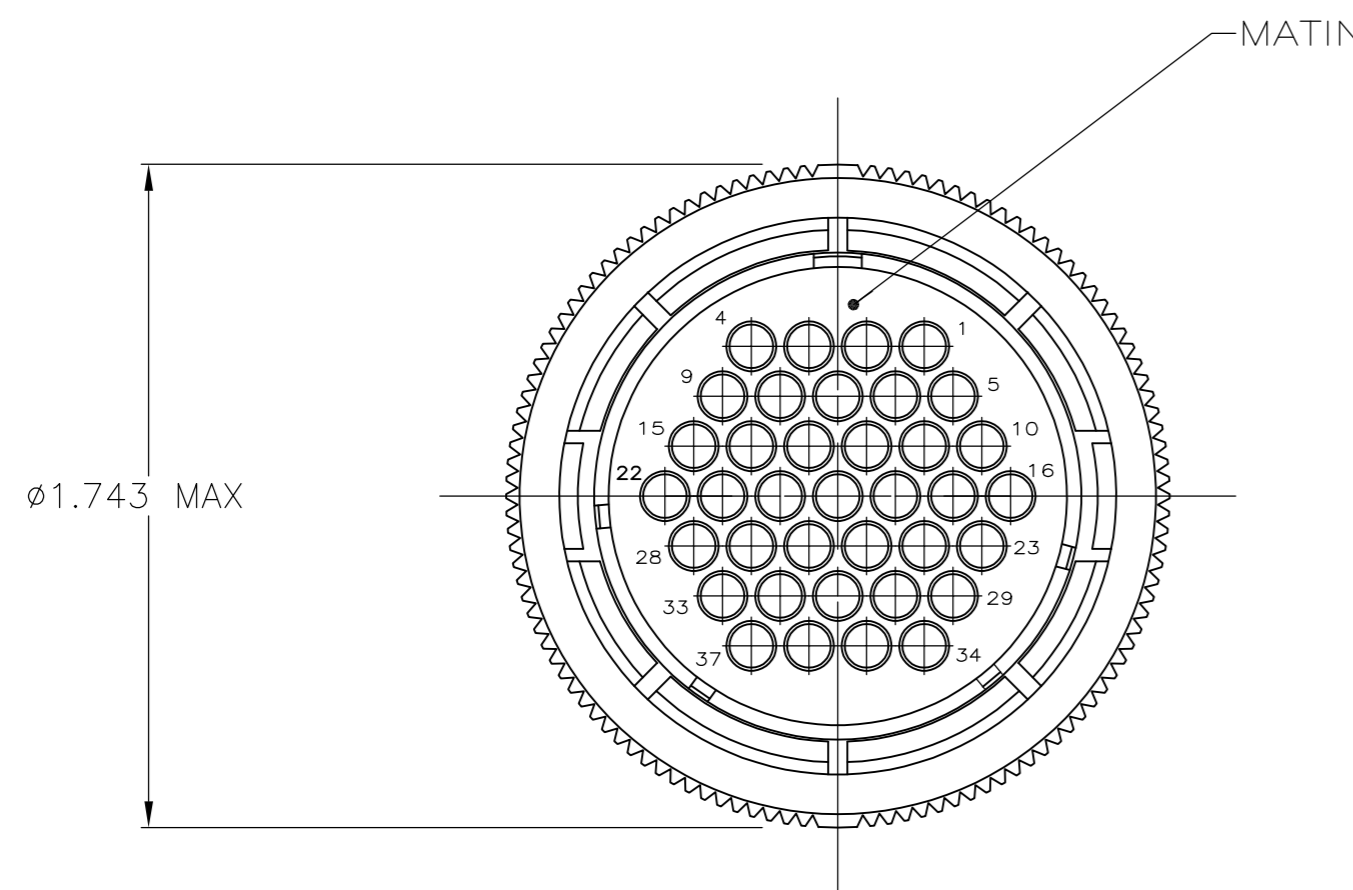
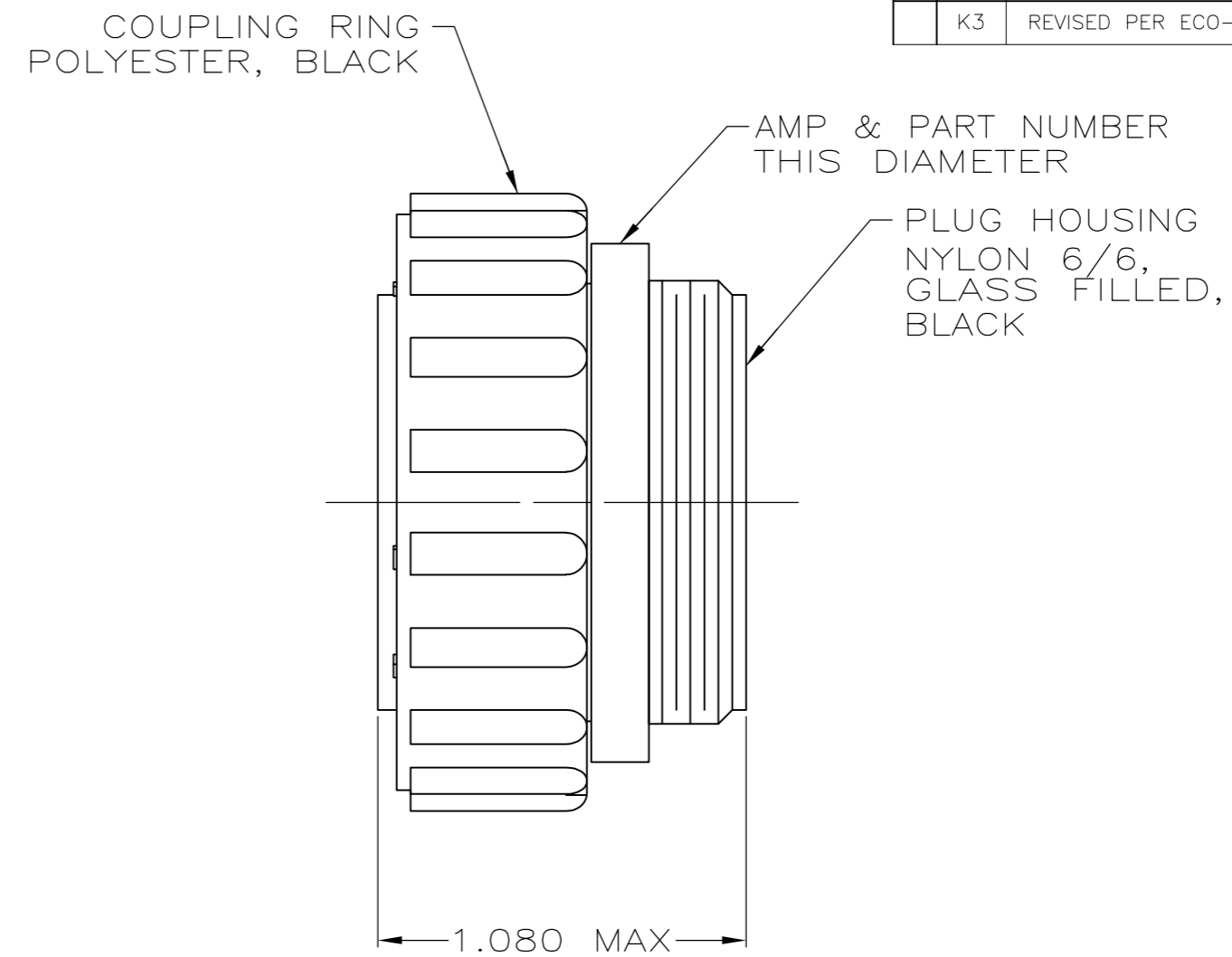


THIS DRAWING IS UNPUBLISHED. RELEASED FOR PUBLICATION  
 © COPYRIGHT - By - ALL RIGHTS RESERVED.

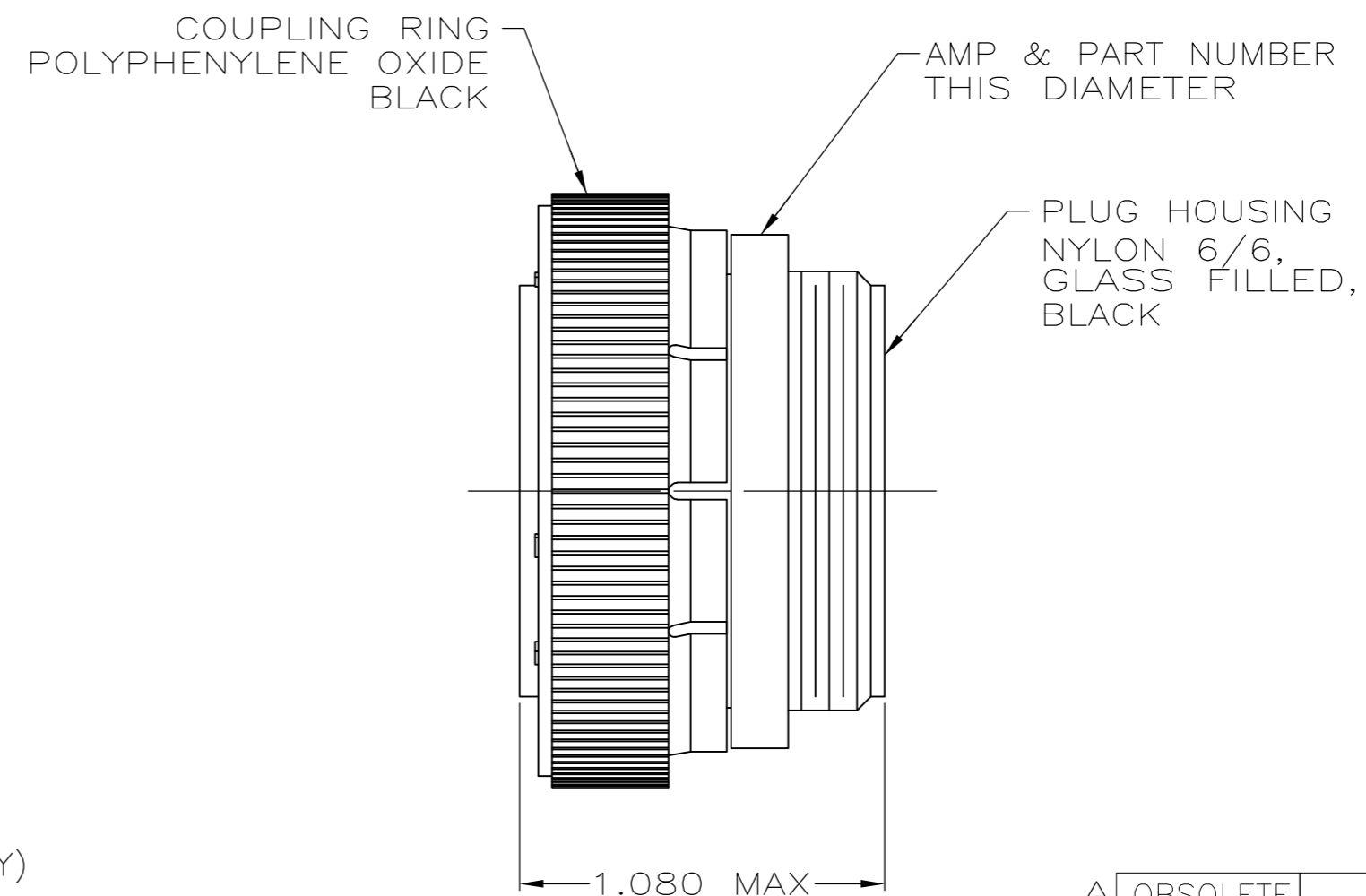
REVISIONS					
P	LTR	DESCRIPTION	DATE	DWN	APVD
K3		REVISED PER ECO-16-004800	12SEP2016	NK	MZ



(206150-1,-2 & -6 ONLY)



(206150-3 ONLY)



1 CONTACT CAVITIES IDENTIFIED BY CHARACTERS ON FRONT AND REAR FACES OF CONNECTOR.

2 THIS CONNECTOR WILL ACCEPT (37) MULTIMATE SOCKET CONTACTS.

3 WHITE DOT NEAR POSITION 1 ON WIRE ENTRY FACE.

OBSOLETE	STANDARD	-206150-6-
	STANDARD	206150-3
	SMALL PACK	206150-2
	STANDARD	206150-1
PACKAGING	PART NUMBER	

THIS DRAWING IS A CONTROLLED DOCUMENT.		DWN	S.RIDGLEY	BG	8/2/90		
		CHK	R.STONE		4-26-91		
DIMENSIONS: INCHES		TOLERANCES UNLESS OTHERWISE SPECIFIED:		APVD		NAME	
		0 PLC	±	-	PRODUCT SPEC		PLUG ASSEMBLY, SHELL SIZE 23, STANDARD SEX, SERIES 1, CPC
		1 PLC	±	-	APPLICATION SPEC		
		2 PLC	±	-	WEIGHT		
		3 PLC	±	-	SCALE		
		4 PLC	±	-	SHEET		
MATERIAL SEE CALLOUT		FINISH		-		RESTRICTED TO	
				CUSTOMER DRAWING		REV K3	