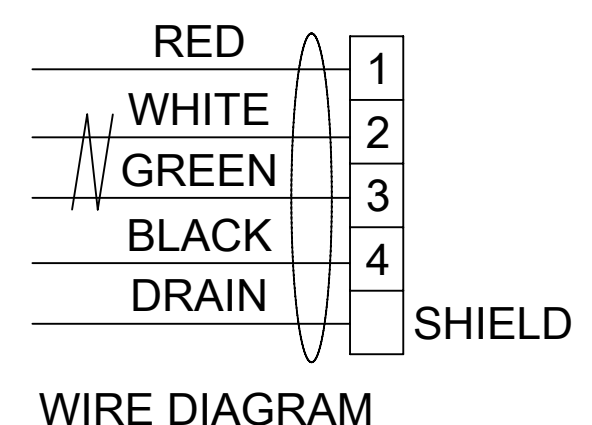
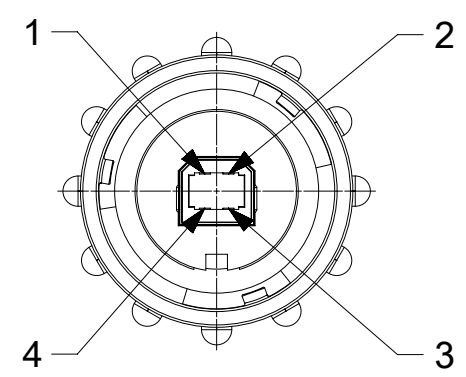
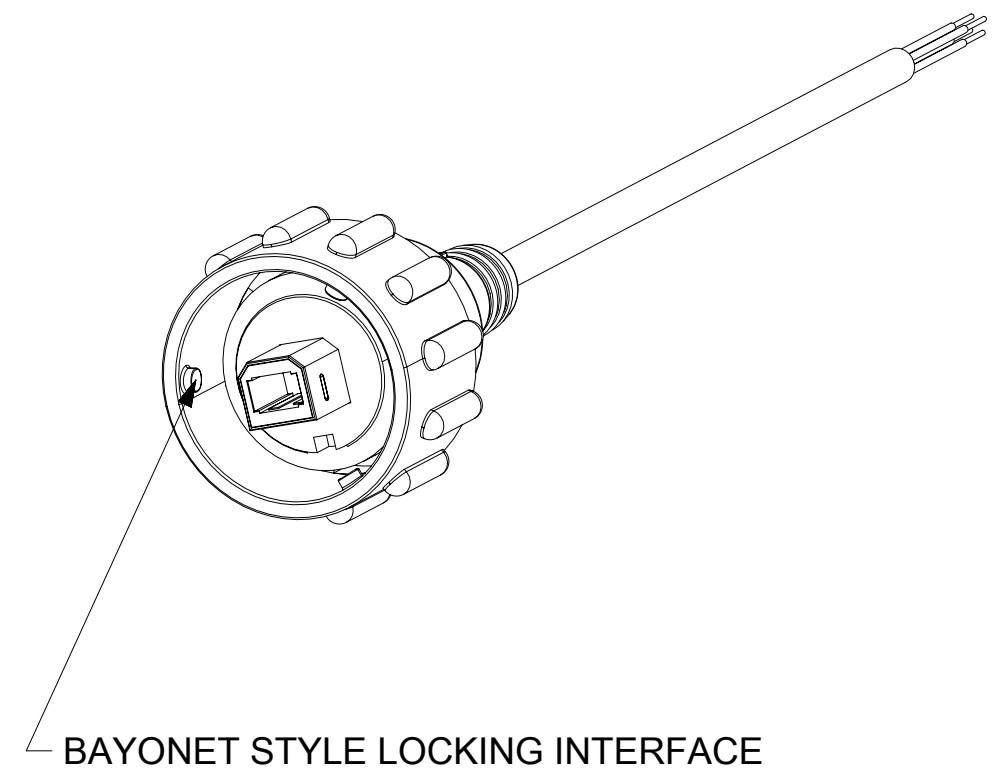
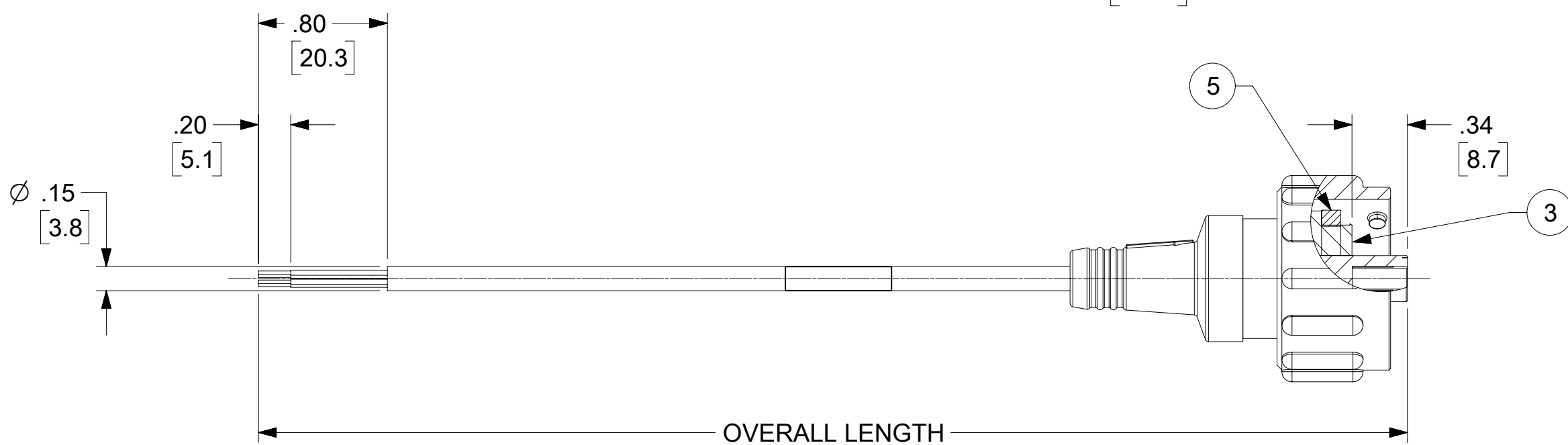
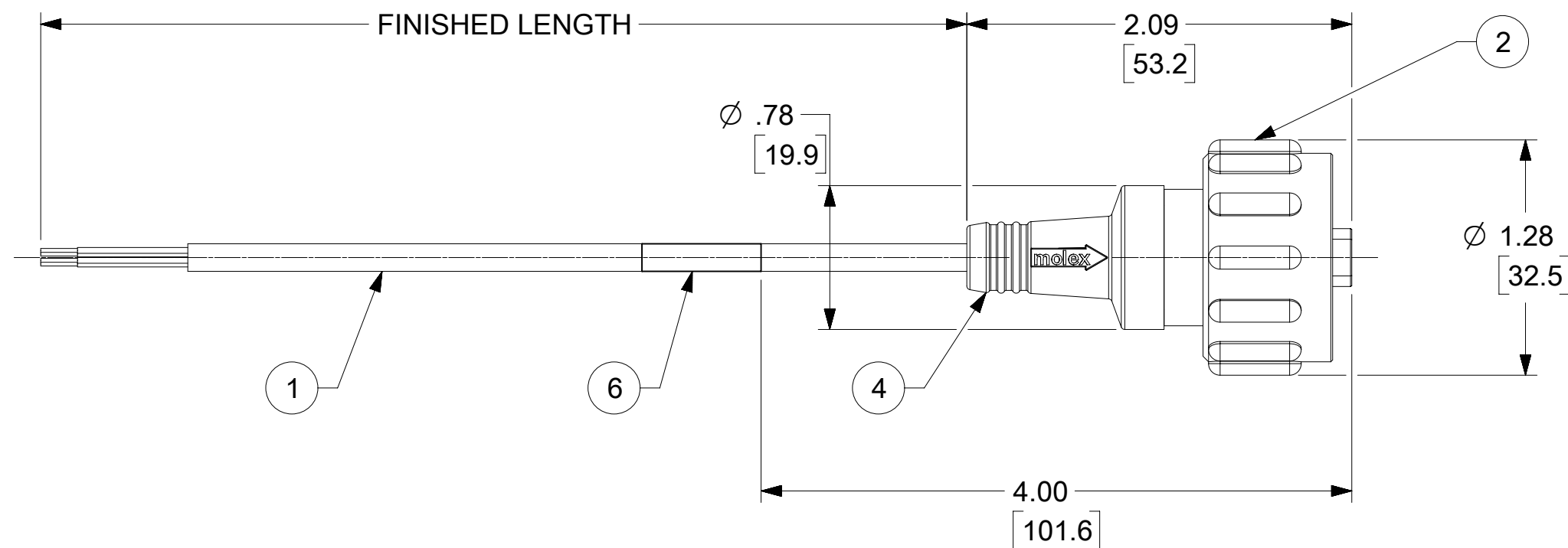


PART NO.	LENGTH	REF. OVERALL LENGTH
847281001	2.0M +44.5mm/-0 (6' 7" +1.75 IN/-0)	2.05M (6 FT 9 IN)
847281002	1.5M +31.8mm/-0 (4' 11" +1.25 IN/-0)	1.55M (5 FT 1 IN)
847281003	3.0M +63.5mm/-0 (9' 10" +2.50 IN/-0)	3.05M (10 FT 0 IN)
847281004	5.0M +101.6mm/-0 (16' 5" +4.00 IN/-0)	5.05M (16 FT 7 IN)
847281005	0.15M +25.4mm/-0 (0' 5.9" +1.00 IN/-0)	0.20M (0 FT 8 IN)



- NOTES:
- MATERIAL: AS NOTED
 - FINISHES: AS NOTED
 - PACKAGING: SEALED POLY BAG WITH BARCODE LABEL
 - PRODUCT SPEC: PS-84727-002
 - CABLE MATERIAL: PVC JACKET, BLACK
USB SHELL: PHOS-BRONZE, NICKEL PLATED
CONTACTS: PHOS-BRONZE, GOLD PLATED
 - DIMS SHOWN ARE FOR REFERENCE UNLESS NOTED OTHERWISE
 - ASSEMBLY IS RoHS COMPLIANT

ITEM	DESCRIPTION	MATERIAL	FINISH
6	WRAP LABEL	VINYL	BLACK/YELLOW
5	GASKET SEAL	NITRILE	BLACK
4	OVERMOLD	TPC	BLACK
3	HOLDER	PBT	BLACK
2	COUPLING RING	PBT	BLACK
1	CABLE SUB-ASSY, USB TYPE B PLUG, 28 AWG, SHIELDED	AS NOTED	AS NOTED

THIS DRAWING CONTAINS INFORMATION THAT IS PROPRIETARY TO MOLEX ELECTRONIC TECHNOLOGIES, LLC AND SHOULD NOT BE USED WITHOUT WRITTEN PERMISSION

DIMENSION UNITS	SCALE	CURRENT REV DESC: REMOVED OBSOLETE PART NUMBER AS PER PCN#509987.	molex	
INCH/MM	1:1			
GENERAL TOLERANCES (UNLESS SPECIFIED)		EC NO: 693623	USB TYPE B BAYONET STYLE CABLE ASSEMBLY	
4 PLACES	±	DRWN: SANTHN	2021/09/14	
3 PLACES	±	CHK'D: GGA	2022/03/30	
2 PLACES	±	APPR: GGA	2022/03/30	
1 PLACE	±	INITIAL REVISION:	PRODUCT CUSTOMER DRAWING	
0 PLACES	±	DRWN: S. GILBERT	DOCUMENT NUMBER	
ANGULAR TOL	± °	APPR: JFMURPHY	847281001	
DRAFT WHERE APPLICABLE MUST REMAIN WITHIN DIMENSIONS	THIRD ANGLE PROJECTION	DRAWING	SERIES	MATERIAL NUMBER
		C-SIZE	84728	SEE P/N CHART
				CUSTOMER
				GENERAL MARKET
				SHEET NUMBER
				1 OF 1