

3.3V Low Power Slew Rate Limited Half-Duplex RS-485 Transceiver

Description

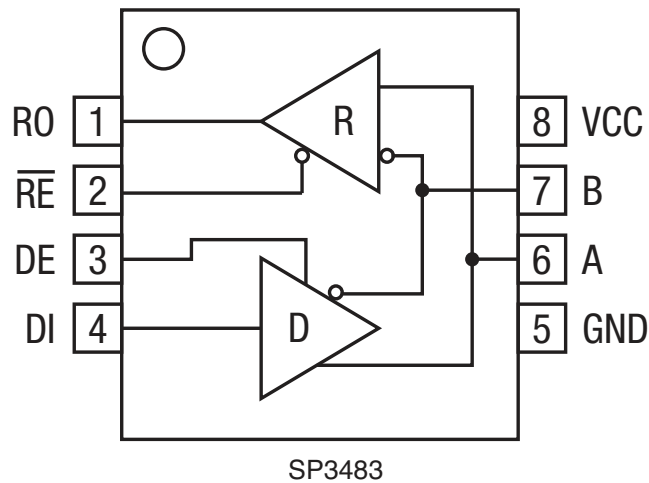
The [SP3483](#) device is part of a family of 3.3V low power half-duplex transceivers that meet the specifications of the RS-485 and RS-422 serial protocols. This device is pin-to-pin compatible with the MaxLinear SP483 device as well as popular industry standards. The SP3483 features MaxLinear's BiCMOS design allowing low power operation without sacrificing performance. The SP3483 is slew rate limited to reduce EMI and can meet the requirements of the RS-485 and RS-422 protocols up to 250kbps.

FEATURES

- RS-485 and RS-422 transceiver
- Operates from a single 3.3V Supply
- Interoperable with 5.0V logic
- Driver/receiver enable
- Low power shutdown mode
- -7V to +12V common-mode input voltage range
- Allows up to 32 transceivers on the serial bus
- Compatibility with the industry standard 75176 pinout
- Driver output short-circuit protection
- Slew rate limited driver for low EMI

Ordering Information - [Back Page](#)

Block Diagram



Absolute Maximum Ratings

These are stress ratings only and functional operation of the device at these ratings or any other above those indicated in the operation sections of the specifications below is not implied. Exposure to absolute maximum rating conditions for extended periods of time may affect reliability.

V_{CC} 6.0V

Input Voltages

Logic -0.3V to 6.0V

Drivers -0.3V to 6.0V

Receivers..... ±15V

Output Voltages

Drivers ±15V

Receivers..... -0.3V to 6.0V

Storage Temperature-65°C to +150°C

Maximum Junction Temperature, T_J 125°C

Power Dissipation

8-pin NSOIC 500mW

(derate 6.14mW/°C above +70°C)

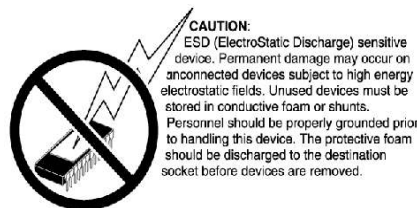
Operating Conditions

Package Power Dissipation

8-pin NSOIC Θ_{JA} 128.4°C/W

ESD Rating

Human Body Model (HBM)..... ±2kV



Electrical Characteristics

T_{AMB} = T_{MIN} to T_{MAX} and V_{CC} = 3.3V ±5% unless otherwise noted.

PARAMETERS	MIN.	TYP.	MAX.	UNITS	CONDITIONS
SP3483 Driver DC Characteristics					
Differential output voltage			V _{CC}	V	Unloaded; R = ∞Ω ; Figure 1
Differential output voltage	2		V _{CC}	V	With Load; R = 50Ω (RS-422); Figure 1
Differential output voltage	1.5		V _{CC}	V	With Load; R = 27Ω (RS-485); Figure 1
Change in magnitude of driver differential output voltage for complimentary states			0.2	V	R = 27Ω or R = 50Ω; Figure 1
Driver common-mode output voltage			3	V	R = 27Ω or R = 50Ω; Figure 1
Input high voltage	2.0			V	Applies to DE, DI, RE
Input low voltage			0.8	V	Applies to DE, DI, RE
Input current			±10	μA	Applies to DE, DI, RE
Driver short circuit current V _{OUT} = HIGH			±250	mA	-7V ≤ V _O ≤ +12V; Figure 8
Driver short circuit current V _{OUT} = LOW			±250	mA	-7V ≤ V _O ≤ +12V; Figure 8
SP3483 Driver AC Characteristics					
Maximum data rate	250			kbps	RE = V _{CC} ; DE = V _{CC}
Driver input to output, t _{PLH}	400	900	1500	ns	Figures 2 & 9
Driver input to output, t _{PHL}	400	900	1500	ns	Figures 2 & 9
Differential driver skew		10		ns	t _{DO1} - t _{DO2} , Figures 2 and 10
Driver rise or fall time		700	1000	ns	From 10%-90%; Figures 3 and 10

Electrical Characteristics (Continued)

$T_{AMB} = T_{MIN}$ to T_{MAX} and $V_{CC} = 3.3V \pm 5\%$ unless otherwise noted.

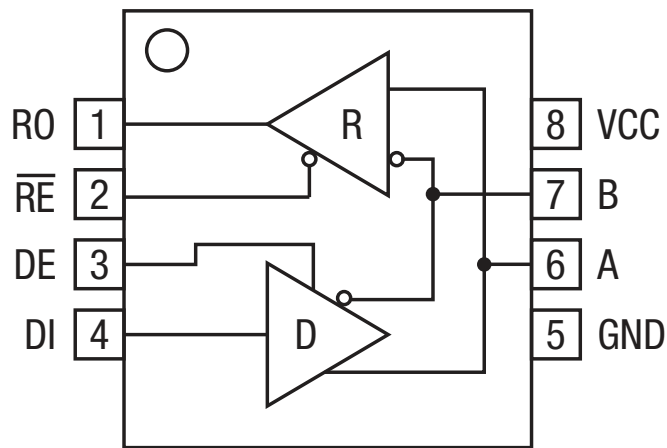
PARAMETERS	MIN.	TYP.	MAX.	UNITS	CONDITIONS
SP3483 Driver AC Characteristics (Continued)					
Driver enable to output high		700	1300	ns	Figures 4 and 11
Driver enable to output low		690	1300	ns	Figures 5 and 11
Driver disable time from high		80	120	ns	Figures 5 and 11
Driver disable time from low		90	120	ns	Figures 4 and 11
SP3483 Receiver DC Characteristics					
Differential input threshold	-0.2		0.2	Volts	$-7V \leq V_{CM} \leq 12V$
Input hysteresis		20		mV	$V_{CM} = 0V$
Output voltage HIGH	$V_{CC}-0.4$			Volts	$V_{ID} = 200mV, I_O = -1.5mA$
Output voltage LOW			0.4	Volts	$V_{ID} = -200mV, I_O = 2.5mA$
Three-state (high impedance) output current			± 1	μA	$0V \leq V_O \leq V_{CC}; \overline{RE} = V_{CC}$
Input resistance	12	15		k Ω	$-7V \leq V_{CM} \leq 12V$
Input current (A, B); $V_{IN} = 12V$			1.0	mA	$DE = 0V, V_{CC} = 0V$ or $3.6V, V_{IN} = 12V$
Input current (A, B); $V_{IN} = -7V$			-0.8	mA	$DE = 0V, V_{CC} = 0V$ or $3.6V, V_{IN} = -7V$
Short circuit current	7		60	mA	$0V \leq V_{CM} \leq V_{CC}$
SP3483 Receiver AC Characteristics					
Maximum data rate	250			kbps	$\overline{RE} = 0V, DE = 0V$
Receiver input to output, t_{RPLH}	35	70	120	ns	Figures 6 and 12
Receiver input to output, t_{RPHL}	35	70	120	ns	Figures 6 and 12
Differential receiver skew		50		ns	$t_{RSKEW} = t_{RPHL} - t_{RPLH} $, Figures 6 and 12
Receiver enable to output low		45	70	ns	Figures 7 and 13, S_1 closed, S_2 open
Receiver enable to output high		45	70	ns	Figures 7 and 13, S_2 closed, S_1 open
Receiver disable from low		45	70	ns	Figures 7 and 13, S_1 closed, S_2 open
Receiver disable from high		45	70	ns	Figures 7 and 13, S_2 closed, S_1 open

Electrical Characteristics (Continued)

T_{AMB} = T_{MIN} to T_{MAX} and V_{CC} = 3.3V ±5% unless otherwise noted

PARAMETERS	MIN.	TYP.	MAX.	UNITS	CONDITIONS
SP3483 Shutdown Timing					
Time to shutdown	50	200	600	ns	$\overline{RE} = 5V, DE = 0V$
Driver enable from shutdown to output high			2000	ns	Figures 4 and 11
Driver enable from shutdown to output low			2000	ns	Figures 5 and 11
Receivers enabled from shutdown to output high			2500	ns	Figures 7 and 13, S ₂ closed, S ₁ open
Receivers enabled from shutdown to output low			2500	ns	Figures 7 and 13, S ₁ closed, S ₂ open
Power Requirements					
Supply current, no load		1000	2000	μA	$\overline{RE}, DI = 0V$ or V _{CC} ; DE = V _{CC}
Supply current, no load		800	1500	μA	$\overline{RE} = 0V, DI = 0V$ or V _{CC} , DE = 0V
Shutdown mode			10	μA	DE = 0V, $\overline{RE} = V_{CC}$

Pin Functions



SP3483
Pinout (Top View)

Pin Number	Pin Name	Description
1	RO	Receiver output
2	\overline{RE}	Receiver Output Enable Active LOW
3	DE	Driver Output Enable Active HIGH
4	DI	Driver Input
5	GND	Ground Connection
6	A	Non-Inverting Driver Output / Receiver Input
7	B	Inverting Driver Output / Receiver Input
8	VCC	Positive Supply

Test Circuits

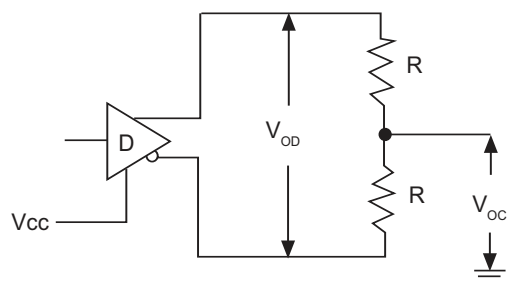


Figure 1. Driver DC Test Load Circuit

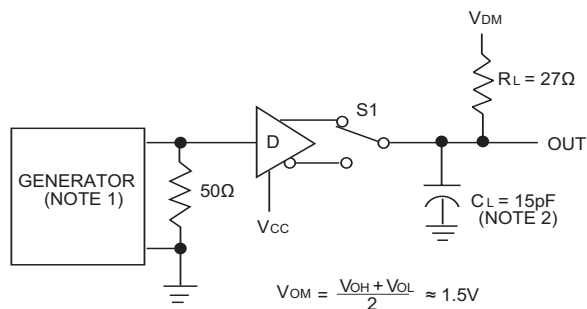


Figure 2. Driver Propagation Delay Test Circuit

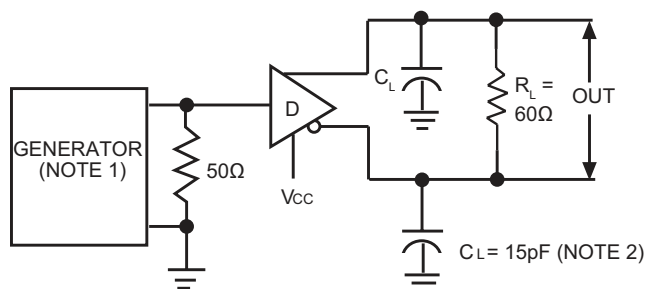


Figure 3. Driver Differential Output Delay and Transition Time Circuit.

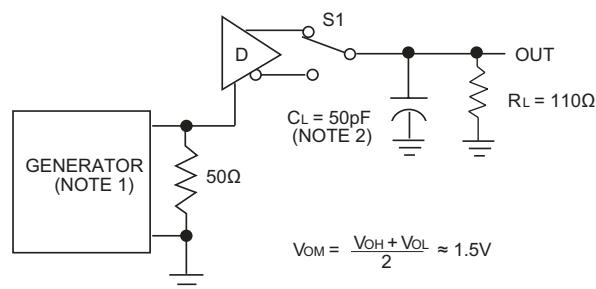


Figure 4. Driver Enable and Disable Timing Circuit, Output High

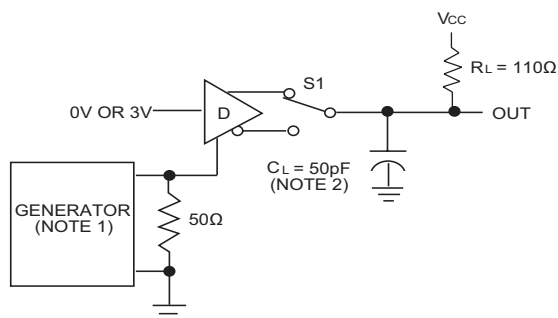


Figure 5. Driver Enable and Disable Timing Circuit, Output Low

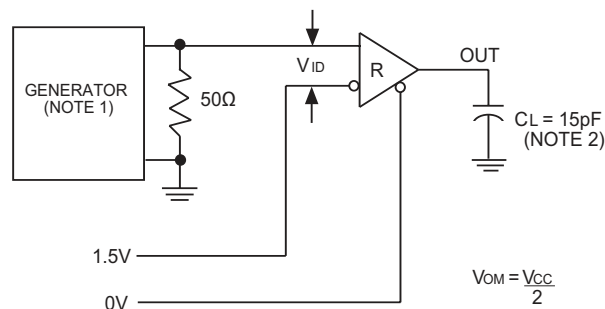


Figure 6. Receiver Propagation Delay Test Circuit

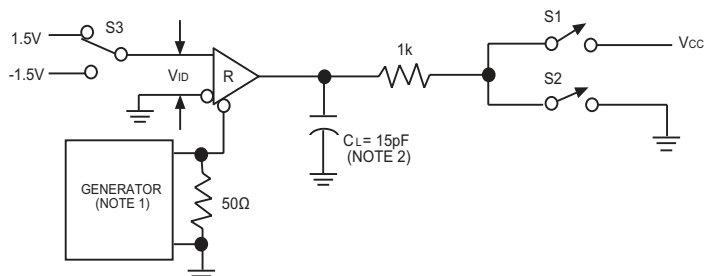


Figure 7. Receiver Enable and Disable Timing Circuit

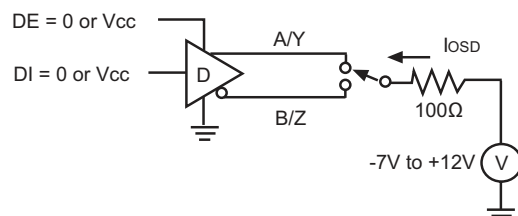


Figure 8. Driver Short Circuit Current Limit Test

Switching Waveforms

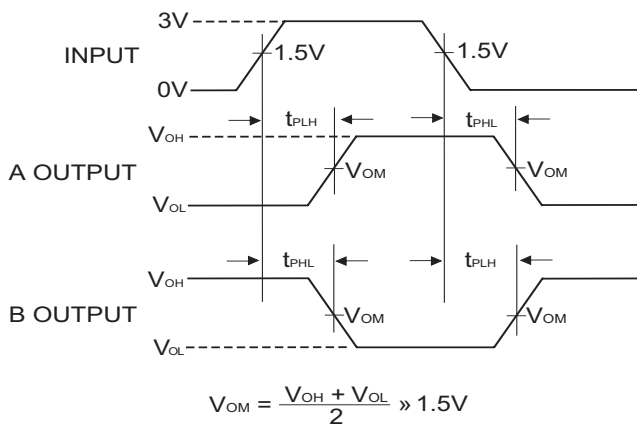


Figure 9. Driver Propagation Delay Waveforms

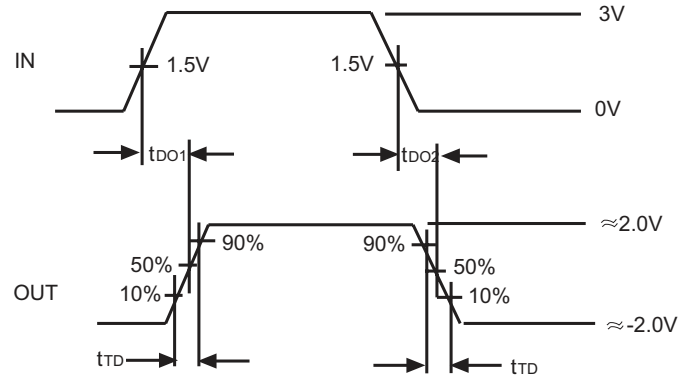


Figure 10. Driver Differential Output Delay and Transition Time Waveforms

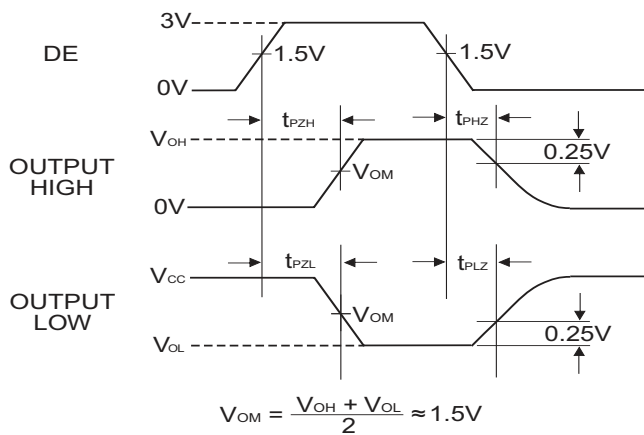


Figure 11. Driver Enable and Disable Timing Waveforms

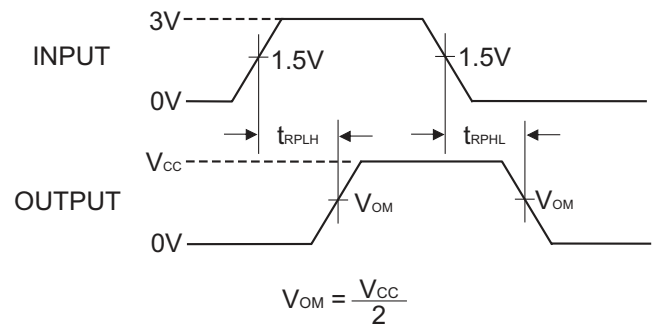


Figure 12. Receiver Propagation Delay Waveforms

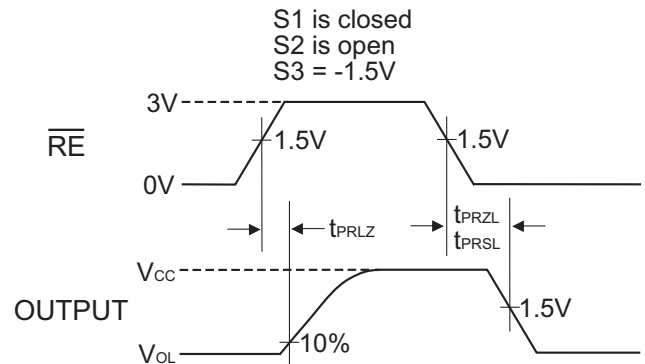
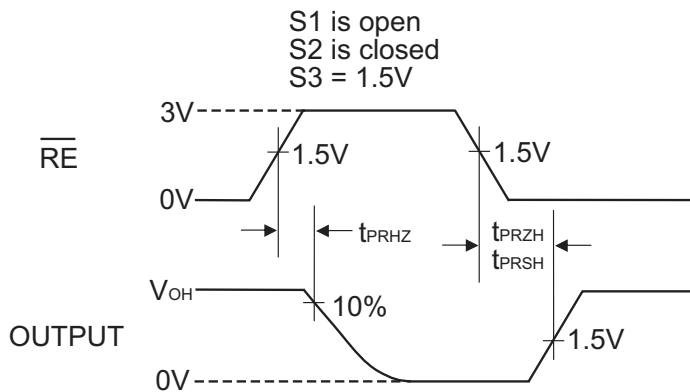


Figure 13. Receiver Enable and Disable Waveforms

NOTES

- 1: The input pulse is supplied by a generator with the following characteristics:
 PRR = 250kHz, 50% duty cycle, $t_r < 6.0\text{ns}$, $Z_0 = 50\Omega$.
- 2: C_L includes probe and stray capacitance.

Description

The SP3483 device is part of a family of 3.3V low power half-duplex transceivers that meet the specifications of the RS-485 and RS-422 serial protocols. This device is pin-to-pin compatible with the MaxLinear SP483 device as well as popular industry standards. The SP3483 features MaxLinear's BiCMOS process allowing low power operation without sacrificing performance.

The RS-485 standard is ideal for multi-drop applications and for long-distance interfaces. RS-485 allows up to 32 drivers and 32 receivers to be connected to a data bus, making it an ideal choice for multi-drop applications. Since the cabling can be as long as 4,000 feet, RS-485 transceivers are equipped with a wide (-7V to +12V) common mode range to accommodate ground potential differences. Because RS-485 is a differential interface, data is virtually immune to noise in the transmission line.

Drivers

The driver outputs of the SP3483 are differential outputs meeting the RS-485 and RS-422 standards. The typical voltage output swing with no load will be 0 Volts to 3.3 Volts. With worst case loading of 54Ω across the differential outputs, the drivers can maintain greater than 1.5V voltage levels. The drivers have an enable control line which is active HIGH. A logic HIGH on DE (pin 3) will enable the differential driver outputs. A logic LOW on the DE (pin 3) will force the driver outputs into high impedance (high-Z).

The SP3483 has internally slew rate limited driver outputs to minimize EMI. The transceivers will operate up to 250kbps. The 250mA I_{SC} maximum limit on the driver output allows the SP3483 to withstand an infinite short circuit over the -7.0V to 12V common mode range without catastrophic damage to the IC.

Receivers

The SP3483 receiver has differential inputs with an input sensitivity as low as ±200mV. Input impedance of the receivers is typically 15kΩ (12kΩ minimum). A wide common mode range of -7V to 12V allows for large ground potential differences between systems. The receiver of the SP3483 has a tri-state enable control input \overline{RE} (Pin 2). A logic LOW on \overline{RE} will enable the receiver, a logic HIGH on \overline{RE} will disable the receiver.

The receiver of the SP3483 will operate up to 250kbps. The receiver is equipped with the fail-safe feature. Fail-safe guarantees that the receiver output will be in a HIGH state when the input is left unconnected (open circuit).

Shutdown Mode

The SP3483 is equipped with a Shutdown mode. To enable the shutdown state, both driver and receiver must be disabled simultaneously. A logic LOW on DE (pin 3) and a Logic HIGH on \overline{RE} (pin 2) will put the SP3483 into Shutdown mode. In Shutdown, supply current will drop to typically 1μA, 10μA maximum.

INPUTS			LINE CONDITION	OUTPUTS	
\overline{RE}	DE	DI		B	A
X	1	1	No Fault	0	1
X	1	0	No Fault	1	0
X	0	X	X	Z	Z

Table 1. Transmit Function Truth Table

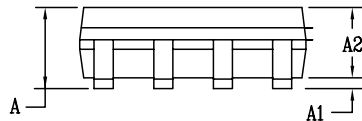
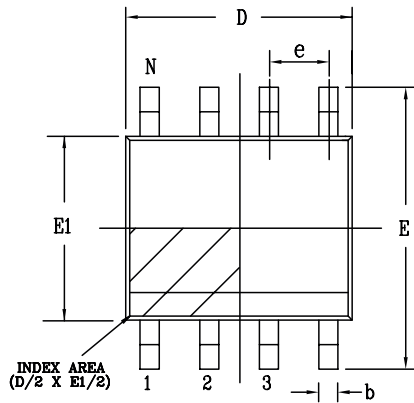
INPUTS		A - B	OUTPUTS
\overline{RE}	DE		R
0	0	0.2V	1
0	0	-0.2V	0
0	0	Inputs Open	1
1	0	X	Z

Table 2. Receive Function Truth Table

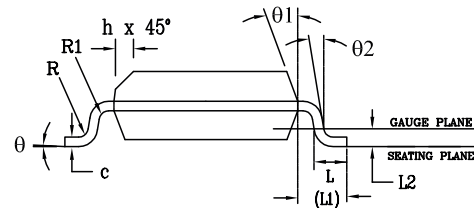
Mechanical Dimensions

NSOIC8

Top View



Side View



Front View

PACKAGE OUTLINE NSOIC .150" BODY JEDEC MS-012 VARIATION AA						
SYMBOLS	COMMON DIMENSIONS IN MM (Control Unit)			COMMON DIMENSIONS IN INCH (Reference Unit)		
	MIN	NOM	MAX	MIN	NOM	MAX
A	1.35	—	1.75	0.053	—	0.069
A1	0.10	—	0.25	0.004	—	0.010
A2	1.25	—	1.65	0.049	—	0.065
b	0.31	—	0.51	0.012	—	0.020
c	0.17	—	0.25	0.007	—	0.010
E	6.00 BSC			0.236 BSC		
E1	3.90 BSC			0.154 BSC		
e	1.27 BSC			0.050 BSC		
h	0.25	—	0.50	0.010	—	0.020
L	0.40	—	1.27	0.016	—	0.050
L1	1.04 REF			0.041 REF		
L2	0.25 BSC			0.010 BSC		
R	0.07	—	—	0.003	—	—
R1	0.07	—	—	0.003	—	—
q	0°	—	8°	0°	—	8°
q1	5°	—	15°	5°	—	15°
q2	0°	—	—	0°	—	—
D	4.90 BSC			0.193 BSC		
N	8					

Drawing No: POD-00000108

Revision: A

Ordering Information⁽¹⁾

Part Number	Operating Temperature Range	Lead-Free	Package	Packaging Method
SP3483CN-L	0°C to 70°C	Yes ⁽²⁾	8-pin NSOIC	Tube
SP3483CN-L/TR				Reel
SP3483EN-L	-40°C to 85°C			Tube
SP3483EN-L/TR				Reel

NOTE:

1. Refer to www.exar.com/SP3483 for most up-to-date Ordering Information.
2. Visit www.exar.com for additional information on Environmental Rating.

Revision History

Revision	Date	Description
06/23/04	--	Legacy Sipex Datasheet
01/09/12	1.0.0	Convert to Exar Format. Update ordering information as a result of discontinued Lead type package options. Add new Figure 8 - Driver Short Circuit Current Limit Test Circuit. Correct type error for no load supply current.
09/07/17	1.0.1	Update to MaxLinear logo. Remove GND from Differential Output Voltage min (page 2). Added maximum junction temperature, package power dissipation and ESD rating. Update format and ordering information table. Truth Tables moved to page 7 description section.



Corporate Headquarters:
 5966 La Place Court
 Suite 100
 Carlsbad, CA 92008
 Tel.: +1 (760) 692-0711
 Fax: +1 (760) 444-8598
www.maxlinear.com

High Performance Analog:
 48720 Kato Road
 Fremont, CA 94538
 Tel.: +1 (510) 668-7000
 Fax: +1 (510) 668-7001
 Email: serial_techsupport@exar.com
www.exar.com

The content of this document is furnished for informational use only, is subject to change without notice, and should not be construed as a commitment by MaxLinear, Inc.. MaxLinear, Inc. assumes no responsibility or liability for any errors or inaccuracies that may appear in the informational content contained in this guide. Complying with all applicable copyright laws is the responsibility of the user. Without limiting the rights under copyright, no part of this document may be reproduced into, stored in, or introduced into a retrieval system, or transmitted in any form or by any means (electronic, mechanical, photocopying, recording, or otherwise), or for any purpose, without the express written permission of MaxLinear, Inc.

MaxLinear, Inc. does not recommend the use of any of its products in life support applications where the failure or malfunction of the product can reasonably be expected to cause failure of the life support system or to significantly affect its safety or effectiveness. Products are not authorized for use in such applications unless MaxLinear, Inc. receives, in writing, assurances to its satisfaction that: (a) the risk of injury or damage has been minimized; (b) the user assumes all such risks; (c) potential liability of MaxLinear, Inc. is adequately protected under the circumstances.

MaxLinear, Inc. may have patents, patent applications, trademarks, copyrights, or other intellectual property rights covering subject matter in this document. Except as expressly provided in any written license agreement from MaxLinear, Inc., the furnishing of this document does not give you any license to these patents, trademarks, copyrights, or other intellectual property.

Company and product names may be registered trademarks or trademarks of the respective owners with which they are associated.

© 2017 MaxLinear, Inc. All rights reserved