

AMPAMP INCORPORATED
HARRISBURG, PA 17105

REDUCED FOR PACKAGING

IS 7916CUSTOMER HOTLINE
1 800 722-1111AMP*
EXTRACTION TOOLS
WITH BASE PART NUMBER 91200RELEASED
10-18-90

TOOL NUMBER	NUMBER OF TOOL BLADES
91200-1	9
-2	19
-3	29
-4	33
-5	10
-6	20
-7	35
-8	12
-9	13
1--0	14
1--1	22
1--2	23
1--3	11
1--4	18
1--5	17
1--6	24
1--7	26
1--8	30
1--9	5
2--0	25
2--1	3
2--2	6
2--4	4
2-91200-5	8

Fig. 1

1. INTRODUCTION

The AMP extraction tools listed in Figure 1 extract AMP Flexible Flat Cable (FFC) receptacle contacts from FFC receptacle connectors with side entrance locking lance slots. Refer to Figure 3 for connector part number series. (Refer to IS 7384, tool number 91047 for connectors with end entrance locking lance slots). Read these instructions thoroughly before removing any contacts.

NOTE

All dimensions on this sheet are in inches.

2. DESCRIPTION

Each tool features a specific number of tool blades that release the contact locking lances in the connector (see Figure 1). The number of tool blades must match the number of cavities in one row of the connector.

CAUTION

All contact locking lances must be released simultaneously, otherwise, damage to the connector, contacts, and/or cable may result.

3. EXTRACTION PROCEDURE

Refer to the chart in Figure 1 and select the appropriate tool matching the number of blades on the tool with the number of contact cavities in one row of the connector.

Proceed as follows:

1. Align tool blades with locking lance slots as shown in Figure 1.
2. Simultaneously insert all tool blades straight into connector until tool bottoms.

NOTE

Apply pressure to center of blade section as indicated in Figure 2. This will ensure even pressure on all contacts.

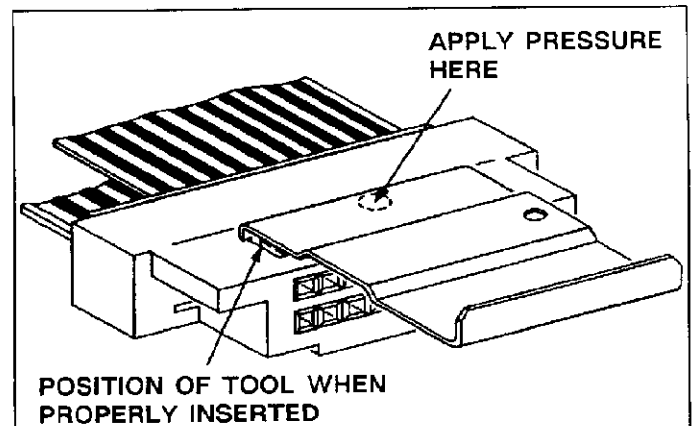


Fig. 2

3. Holding tool and connector in one hand, carefully pull on cable. A slight side-to-side motion may ease contact extraction.

CAUTION

Excessive or improper force may cause damage to contacts and/or cable.

4. After all contacts have been completely extracted, remove tool from connector.

4. MAINTENANCE AND INSPECTION

To ensure proper operation, the tool should conform to the dimensions provided in Figure 3. It is recommended

that the tool be inspected immediately on its arrival and at regularly scheduled intervals. The tool is not repairable and should be replaced when worn or damaged. It is recommended that the tool be stored in a clean, dry place and cleaned with a soft, lint-free cloth.

Additional tools can be purchased from:

AMP Incorporated
 Customer Service (38-35)
 P. O. Box 3608
 Harrisburg, PA 17105-3608

or a wholly owned subsidiary of AMP Incorporated.

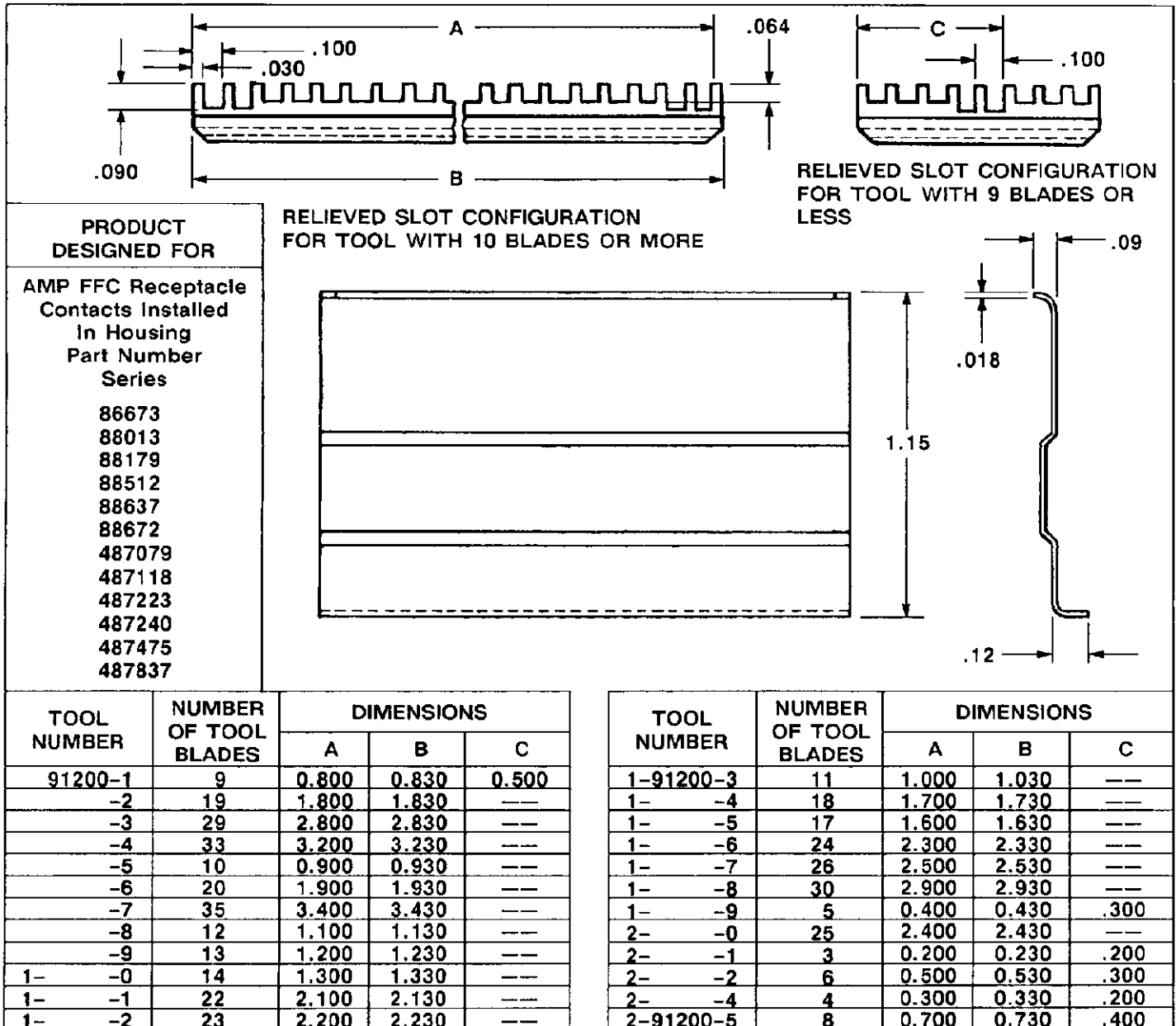


Fig. 3