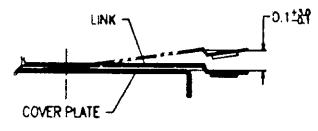
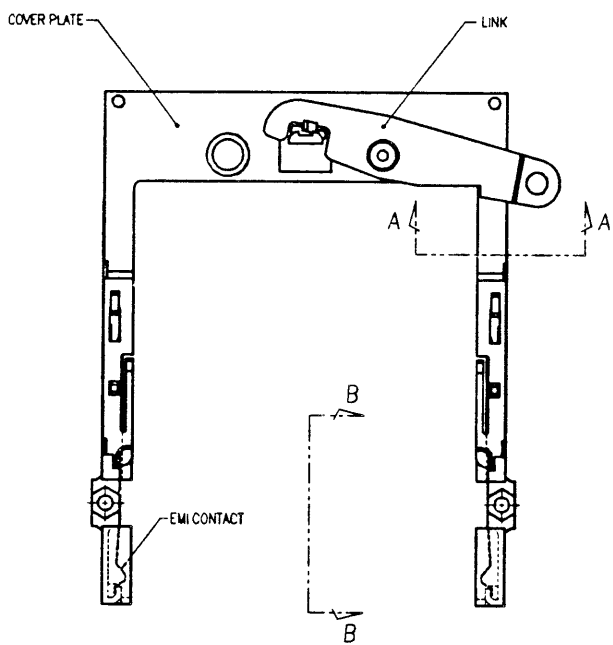


PRODUCT NO.
92768-021

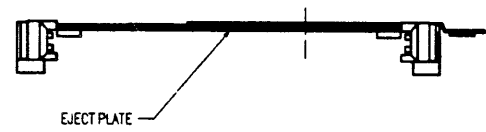
REVISIONS			
REV	DESCRIPTION	ECN	BY DATE
A	RELEASED	J300699	N.T. 4/17/83



VIEW "A" - "A"



VIEW "B" - "B"



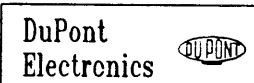
NOTE

1 THIS GUIDE ASSY SHOULD BE FOR THE SINGLE OR UPPER DECK OF DOUBLE HDR (NON-PUSH ROD).

注意

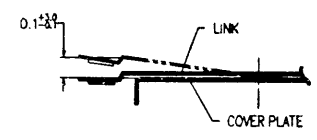
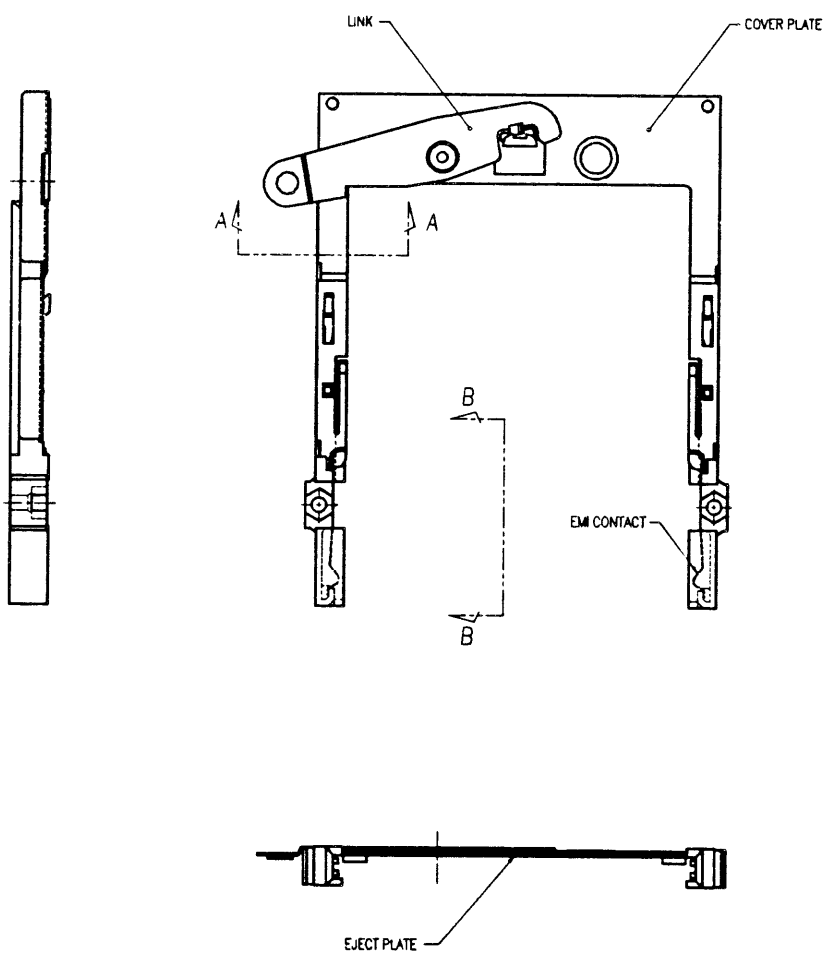
1 本 GUIDE ASSY は NON-PUSH ROD タイプのシシクル用又はダブルヘッダーの UPPER DECK 用に使用のこと。

SHEET INDEX	ISSUE SH. NO.															
TOLERANCES UNLESS OTHERWISE SPECIFIED		MAT	DR	DATE	CUSTOMER COPY	TITLE						SCALE	SIZE	DRWG. NO.	REV	SHEET
LINEAR		FINISH	ENGR	4/28/80		68P EJECTOR HEADER TYPE 1 / 1 / 1 MECHANISM ASSY (NON-PUSH ROD)						2/1	C	92768	A	2 of
ANGLES			CHK	4/17/80	THIRD ANGLE PROJ.	UNIT										



PRODUCT NO.
92768-101

REVISIONS				
REV	DESCRIPTION	ECN	BY	DATE
A	RELEASED	J30099	N.T.	4/17/83



VIEW "A" - "A"



VIEW "B" - "B"


NOTE

1 THIS GUIDE ASSY SHOULD BE FOR THE SINGLE OR UPPER DECK OF DOUBLE HDR (NON-PUSH ROD).

注意

1 本 GUIDE ASSY は NON-PUSH ROD タイプのシングル用又はダブルヘッダーの UPPER DECK 用に使われること。

SHEET INDEX	ISSUE		DATE		CUSTOMER COPY
	SH NO.				
TOLERANCES UNLESS OTHERWISE SPECIFIED		MAY	DR	M. Shikawa	3/28/80
		FINISH	ENGR	N. Takai	3/28/80
			CHK	M. Nagano	4/17/80
			APP	J. M. ...	4/17/80

DuPont Electronics 

TITLE: 68P EJECTOR HEADER TYPE I / II / III MECHANISM ASSY (NON-PUSH ROD)

SCALE: 2/1 C DWG. NO.: 92768 REV: A SHEET: 4 of 4