



A B C D E F

1

2

3

4

5

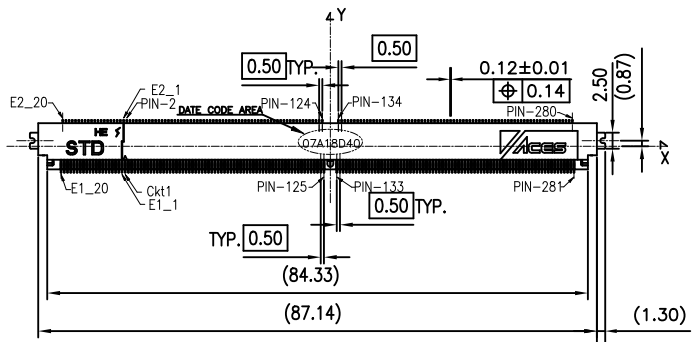
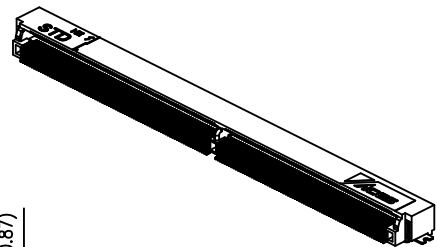
1

2

3

4

5

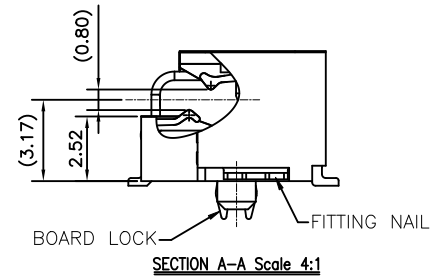
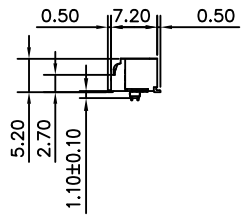
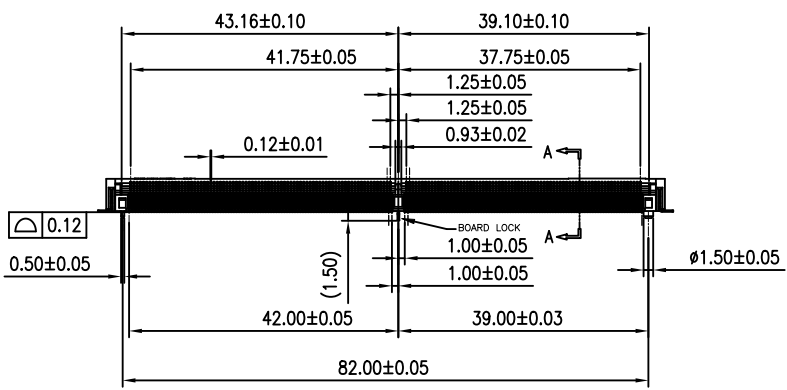


- NOTES:
- MATERIAL:
 - HOUSING: THERMOPLASTIC, HIGH TEMP., UL94V-0; COLOR: BLACK.
 - CONTACT: COPPER ALLOY
 - FITTING NAIL: COPPER ALLOY
 - BOARD LOCK: COPPER ALLOY
 - FINISH:
 - CONTACT:
 - UNDERPLATING: 50u" MIN. NICKEL OVERALL.
 - FINISH:GOLD 3u" MIN. ON CONTACT,GOLD FLASH ON SOLDER TAIL
 - FITTING NAIL:
 - UNDERPLATING: 50u" MIN. NICKEL OVERALL.
 - FINISH:100~200u"MATT TIN OVER ALL
 - BOARD LOCK:
 - UNDERPLATING: 50u" MIN. NICKEL OVERALL.
 - FINISH:MATT TIN OVER ALL
 - REFLOW SOLDER CAPABLE TO 260°C PER ACES SPEC.
 - ROHS COMPLIANT PRODUCT.
 - SPEC. PLS. REFER TO PS-52741-xxxxx-xxx
 - PACKING SPEC. PLS. REFER TO 52741-314CR-00(REEL)
 - THE PCB WARPAGE : 0.05MAX.
 - THE PCB Coplanarity : 0.08MAX.(ex.86.54mm&CONN.LAYOUT AREA),
 - PART NUMBER

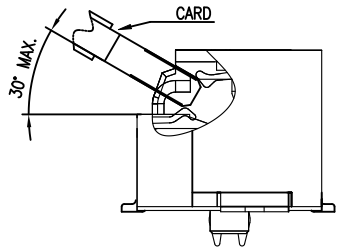
52741-XXX X X-XXX

XXX	COLOR	BOSS	CENTER	PACKAGE
001	BLACK	YES	NO BOARD LOCK	52741-314CR-00
002	BLACK	YES	HAVE BOARD LOCK	52741-314CR-00

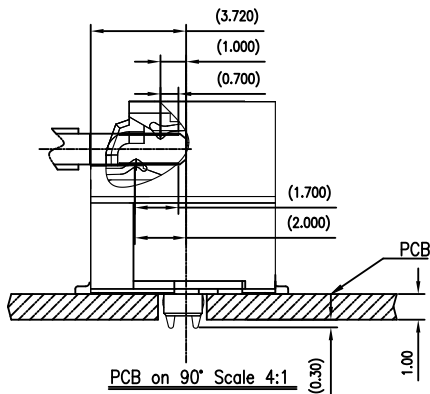
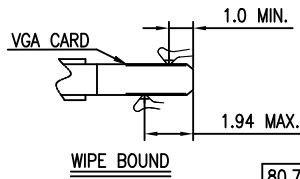
NO OF CKT: 314: 314 PIN
 PACKING: 0:REEL, 2:TRAY
 PLATING: A:GOLD 3u" MIN. ON CONTACT, GOLD FLASH ON SOLDER TAIL



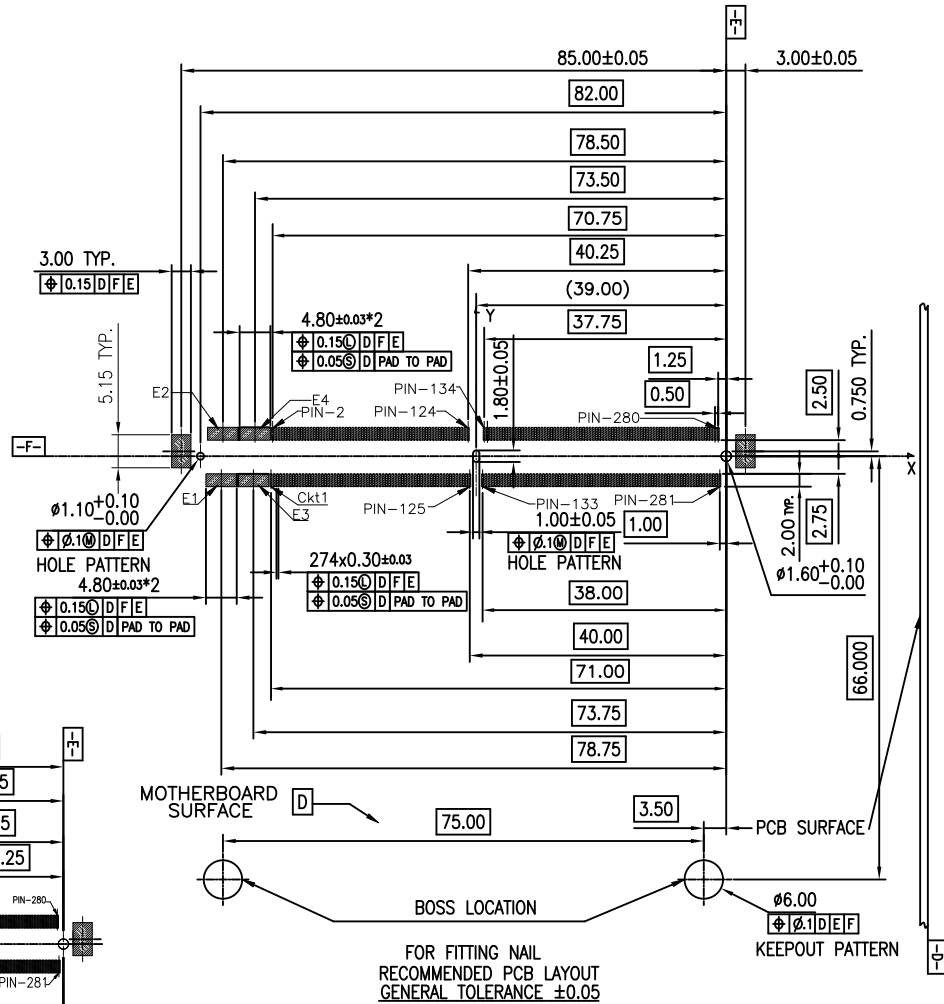
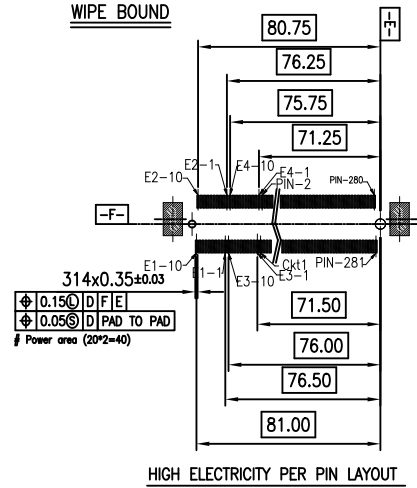
QUALITY SYMBOLS	DRAWN BY	DATE	ACES ELECTRONICS		
MAJOR	Liang,lin ji	20/12/17			
CRITICAL	CHECKED BY	DATE	TITLE PCIE Gen4 MXM-3 314 PINS 0.5mm PITCH EDGE CARD CONN. SMT D/R R/A STD TYPE H=5.2mm (BTB H=2.7)		
GENERAL TOLERANCES (UNLESS SPECIFIED)	Lu, jing quan	20/12/17			
X ±0.5	APPROVED BY	DATE	UNITS	SIZE	RFQ NO.
.X ±0.25	hsieh,fu yu	20/12/17	mm	A4	RFQ-2008039
.XX ±0.15			SCALE	SHEET NO.	REV
.XXX ±0.1			2:1	1 OF 3	1
ANGLES ±2°					DWG NO.
					52741-314XX-XXX



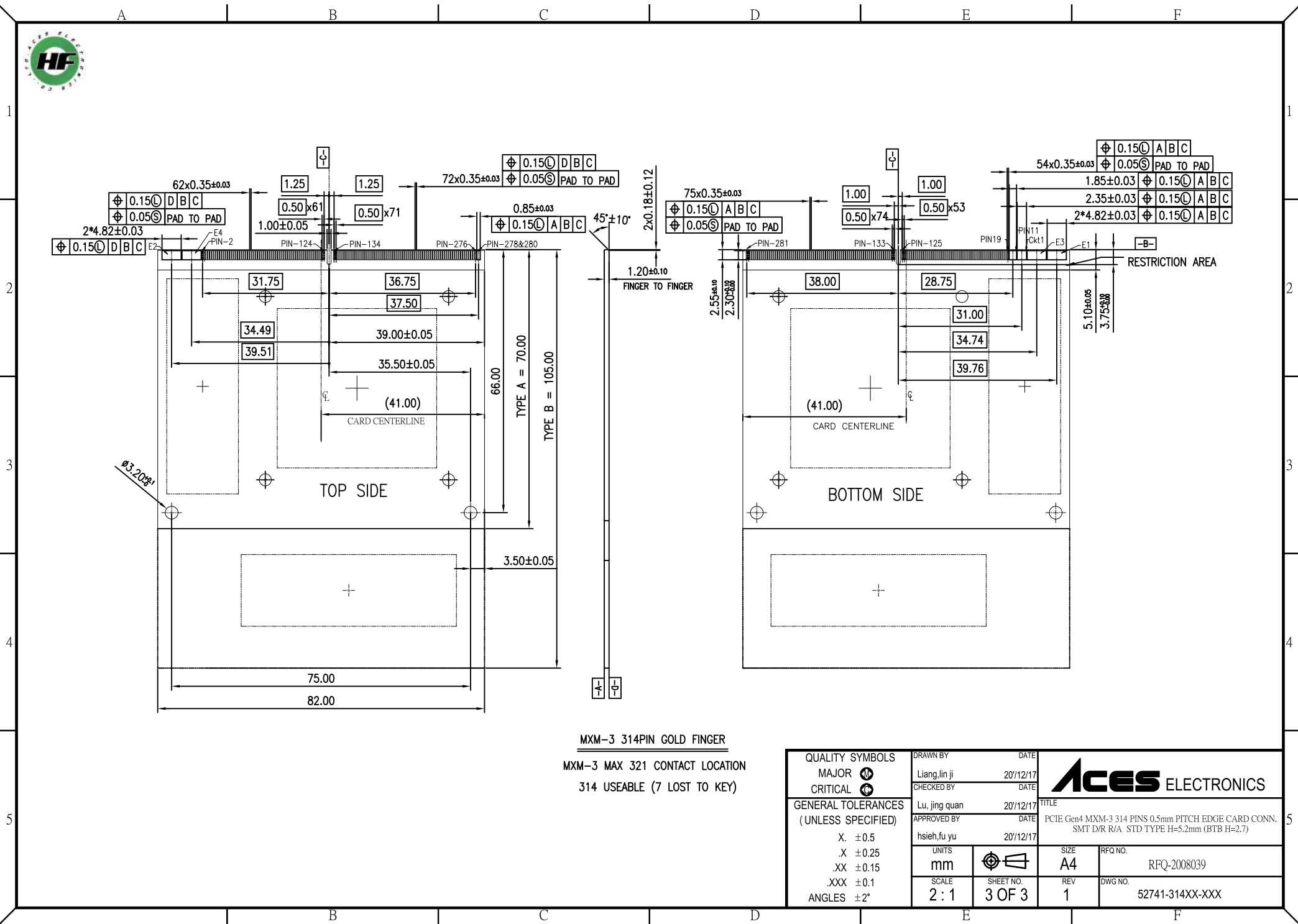
PCB 30° MAX In conn. Scale 4:1



PCB on 90° Scale 4:1



QUALITY SYMBOLS MAJOR (M) CRITICAL (C) GENERAL TOLERANCES (UNLESS SPECIFIED) X ±0.5 .X ±0.25 .XX ±0.15 .XXX ±0.1 ANGLES ±2°	DRAWN BY Liang,lin ji DATE 20/12/17	ACES ELECTRONICS TITLE PCIE Gen4 MXM-3 314 PINS 0.5mm PITCH EDGE CARD CONN. SMT D/R R/A STD TYPE H=5.2mm (BTB H=2.7)
	CHECKED BY Lu, jing quan DATE 20/12/17	
UNITS mm		SIZE A4
SCALE 2 : 1	SHEET NO. 2 OF 3	REV 1
		RFQ NO. RFQ-2008039
		DWG NO. 52741-314XX-XXX



MXM-3 314PIN GOLD FINGER
MXM-3 MAX 321 CONTACT LOCATION
314 USEABLE (7 LOST TO KEY)

QUALITY SYMBOLS MAJOR Ⓢ CRITICAL Ⓢ	DRAWN BY	DATE	
	Liang,lin ji	20/12/17	
GENERAL TOLERANCES (UNLESS SPECIFIED) X ±0.5 .X ±0.25 .XX ±0.15 .XXX ±0.1 ANGLES ±2°	CHECKED BY	DATE	TITLE PCIE Gen4 MXM-3 314 PINS 0.5mm PITCH EDGE CARD CONN. SMT D/R R/A STD TYPE H=5.2mm (BTB H=2.7)
	Lu, jing quan	20/12/17	
	APPROVED BY	DATE	UNITS mm
	hsieh, fu yu	20/12/17	
	SCALE	SHEET NO.	SIZE A4
	2:1	3 OF 3	REV 1
			RFQ NO. RFQ-2008039
			DWG NO. 52741-314XX-XXX