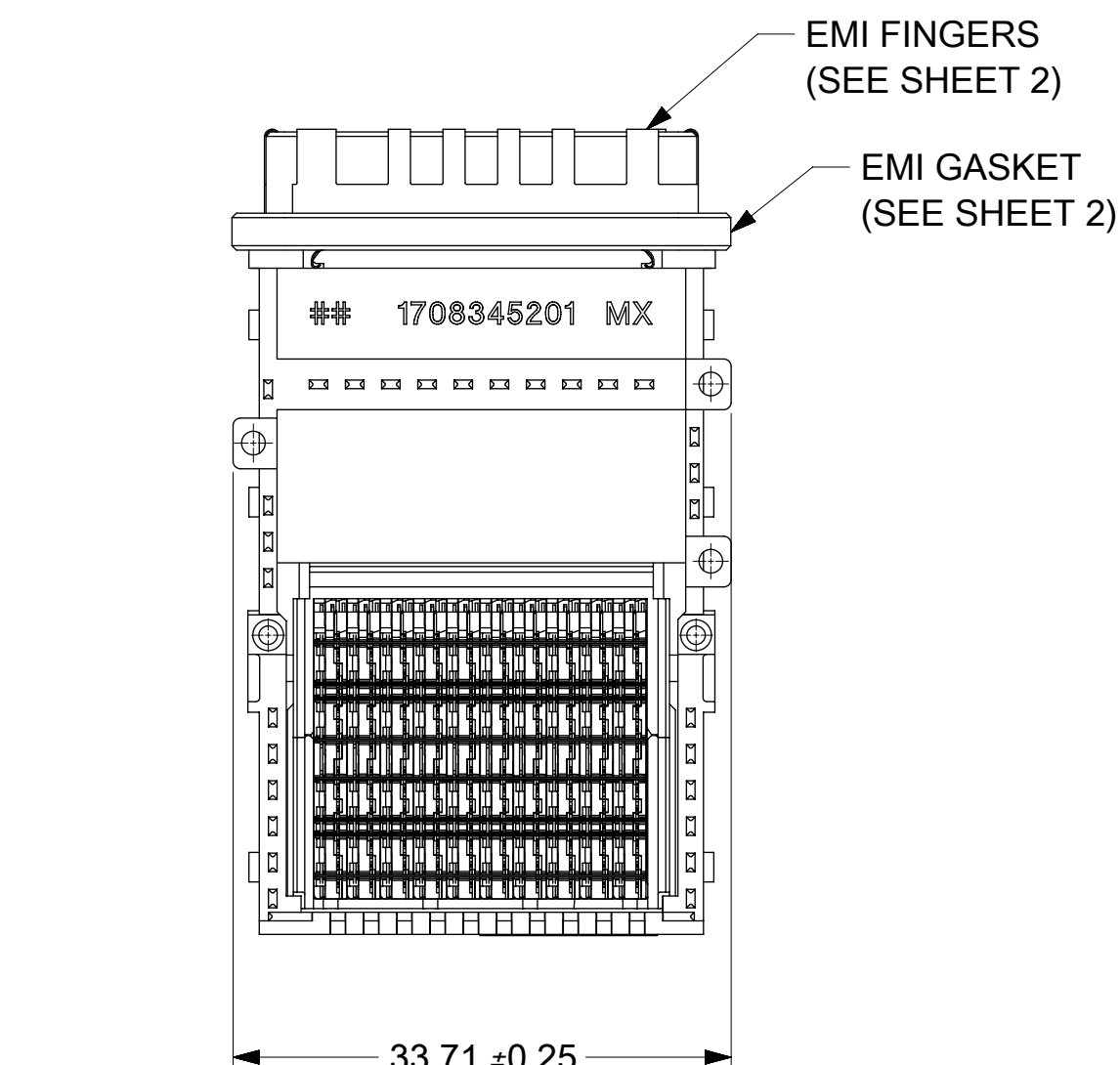
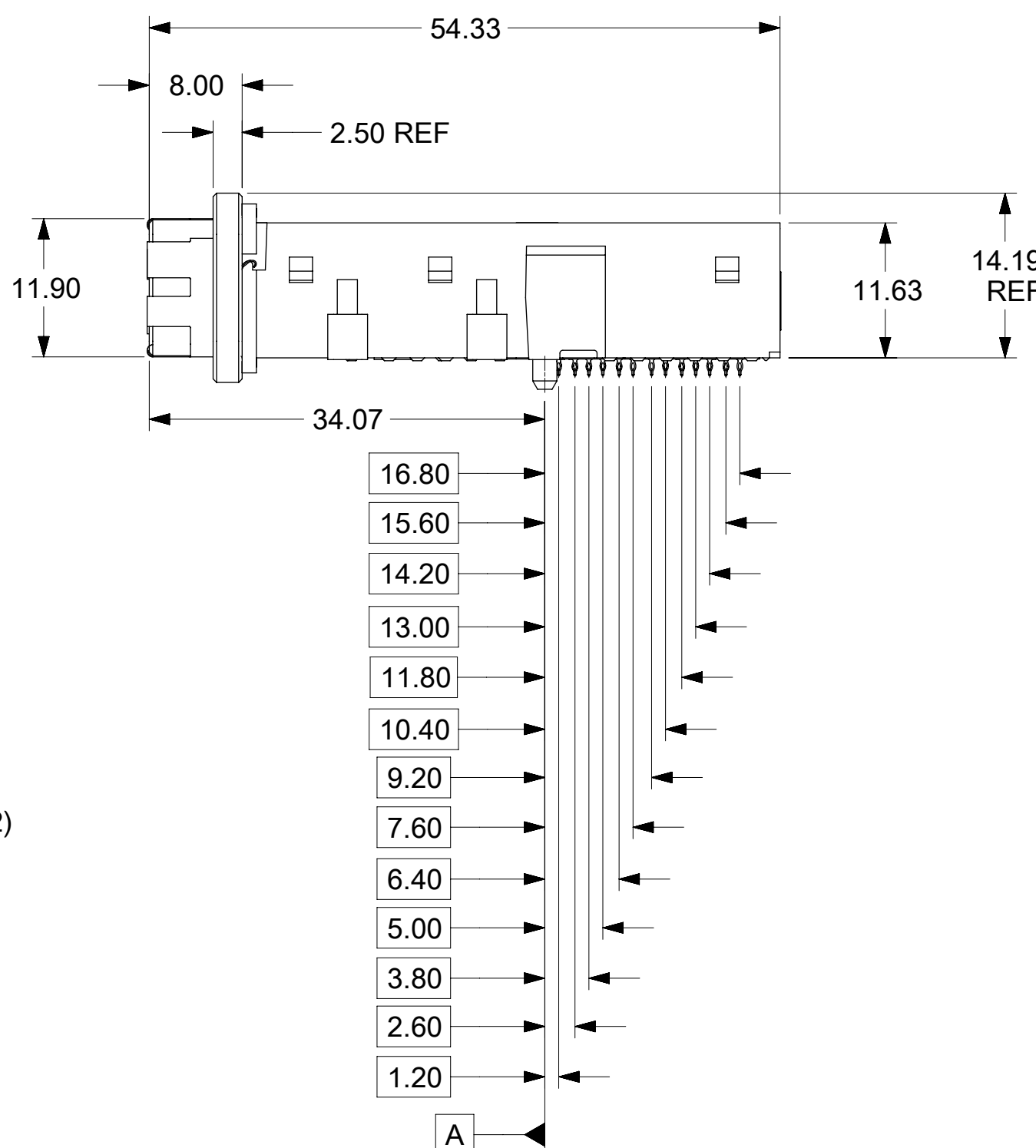
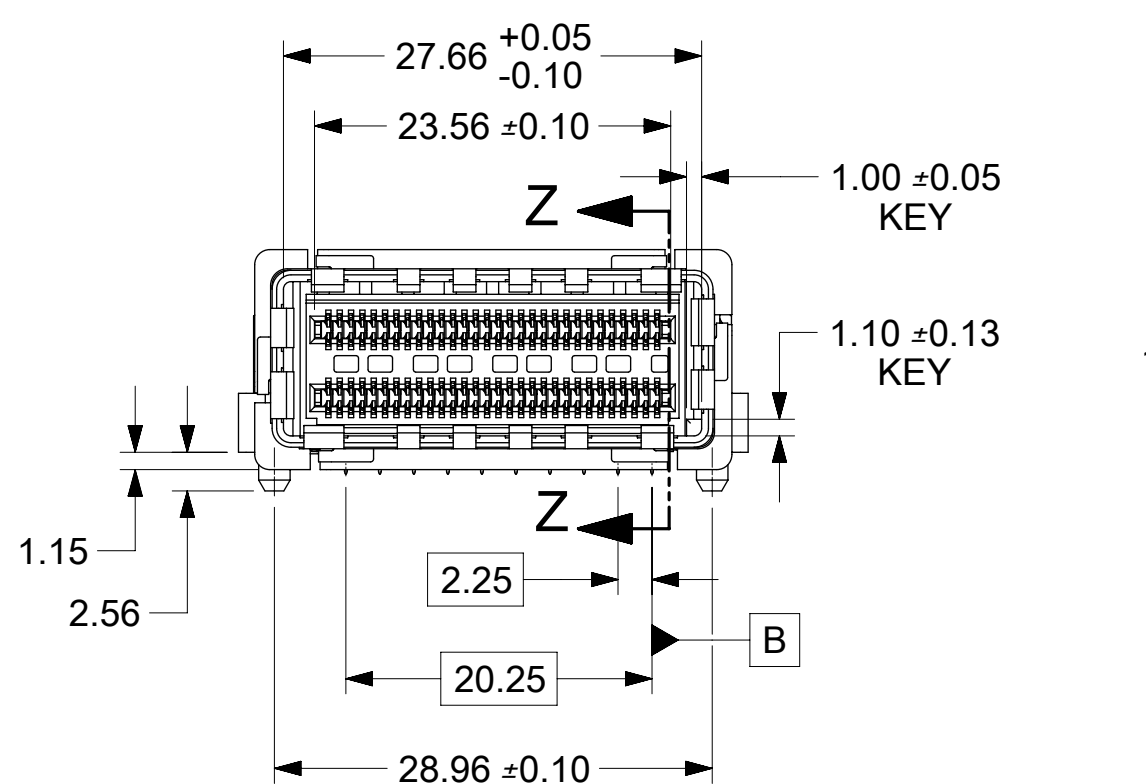
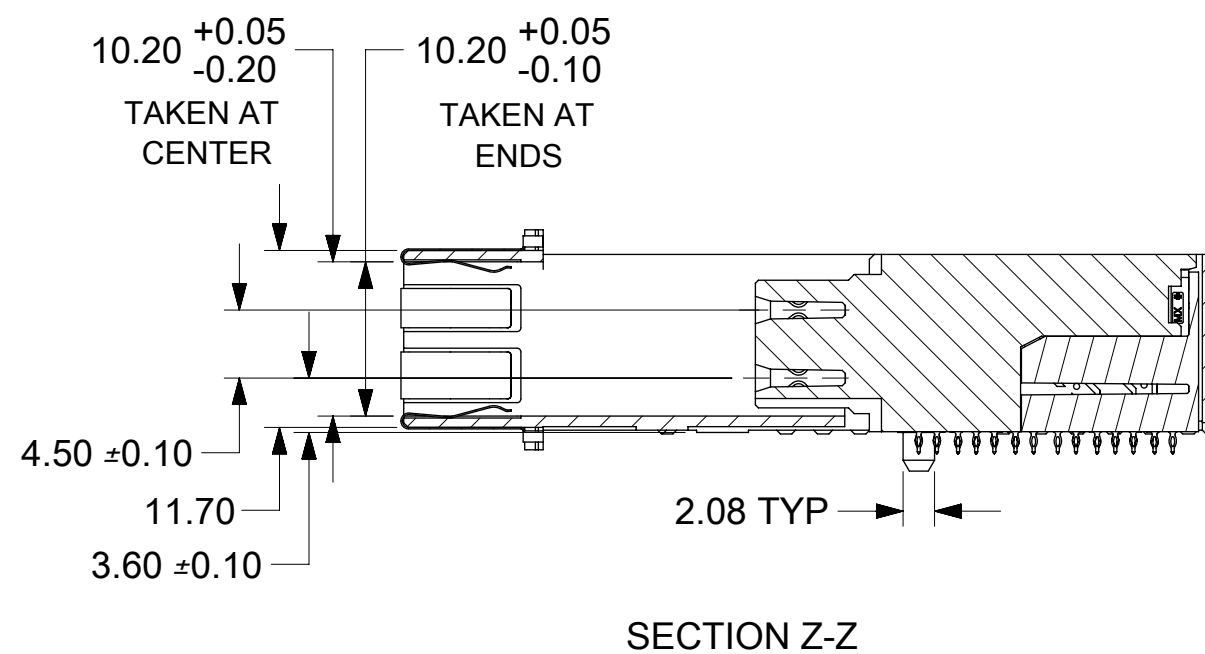
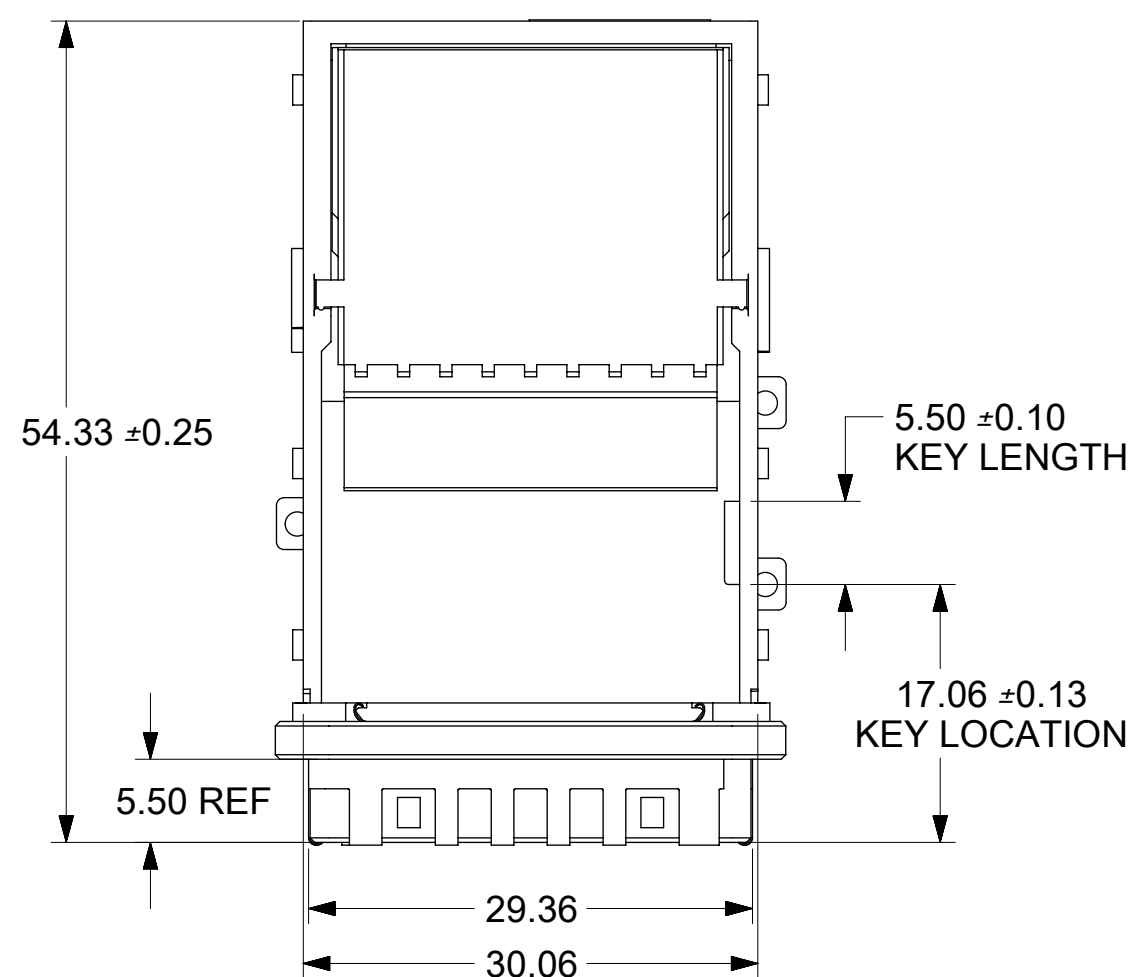
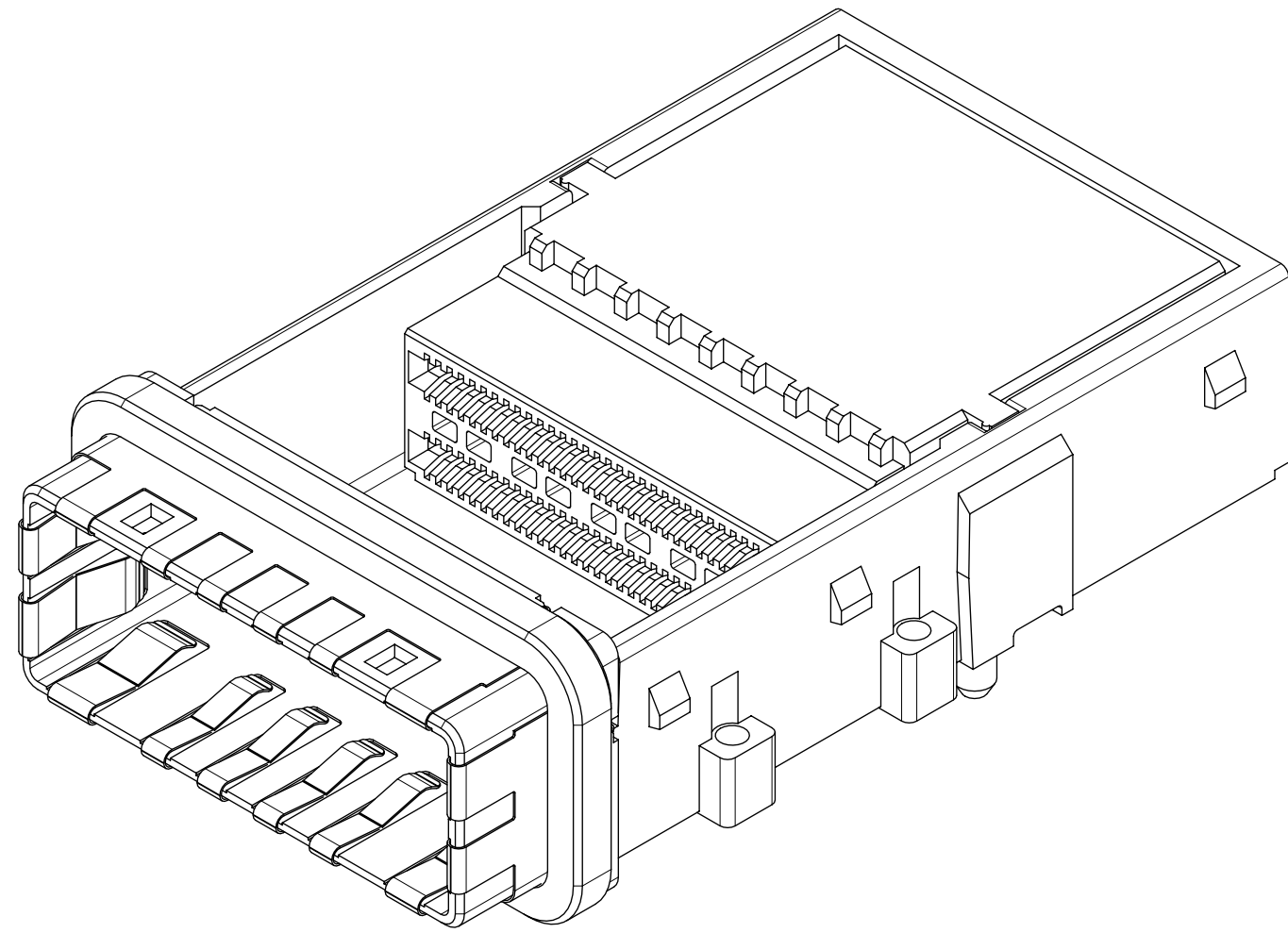


MATERIAL NUMBER
1733590001 SHOWN

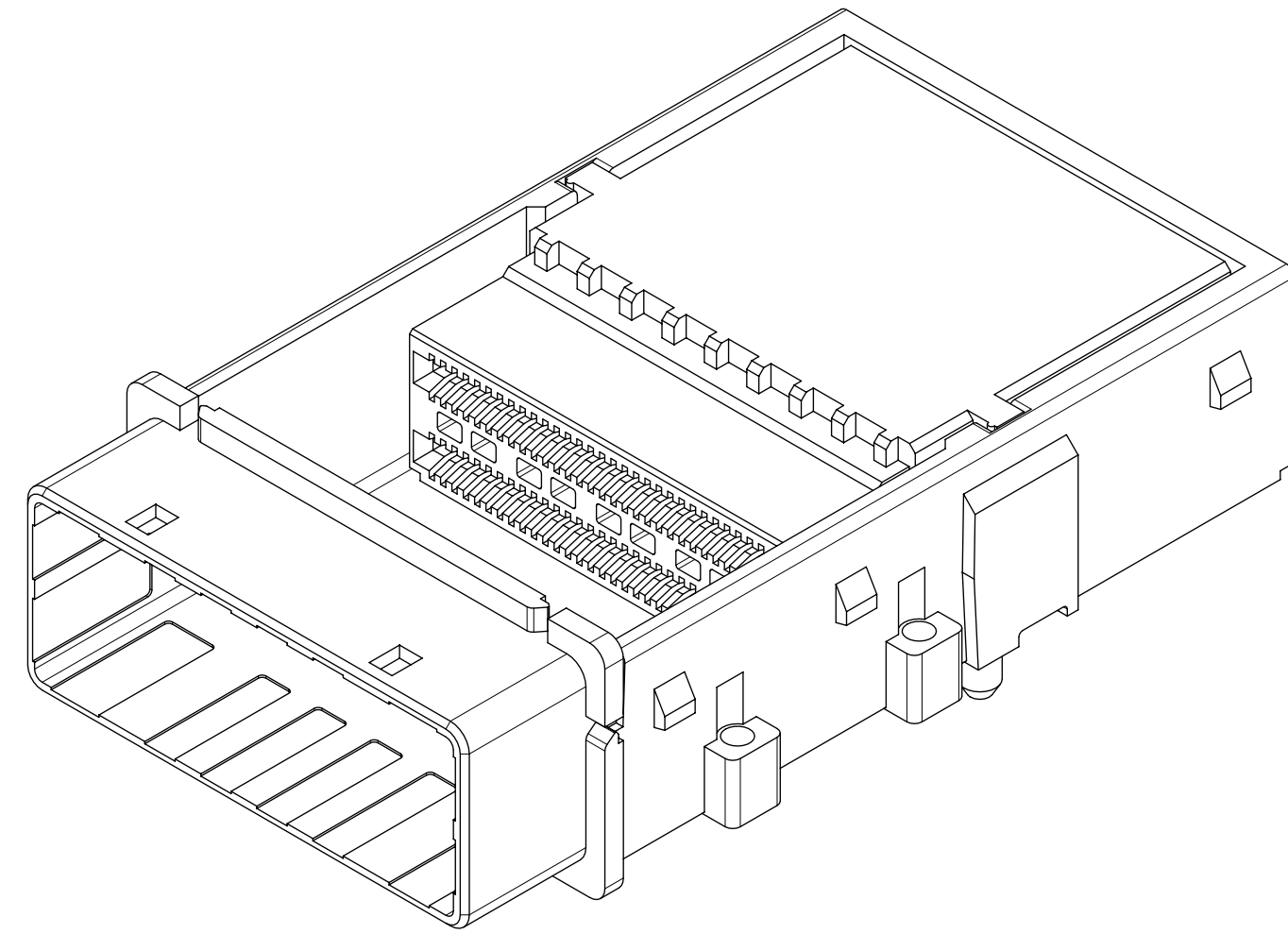


- NOTES:
- MATERIALS:
 WAFER HOUSING:
 HIGH TEMPERATURE THERMOPLASTIC
 GLASS-FILLED, UL 94V-0;
 DIE CAST HOUSING: NICKEL PLATED DIE CAST ALLOY;
 COVER: STAINLESS STEEL ALLOY;
 EMI GASKET: CONDUCTIVE POLYMER;
 EMI FINGERS: NICKEL PLATED COPPER ALLOY;
 - FINISHES:
 PLATING:
 CONTACT AREA:
 0.76µm MIN GOLD OVER 2.54µm MIN NICKEL;
 COMPLIANT TAIL AREA:
 0.76-3.00µm TIN OVER 1.27µm MIN NICKEL;
 - PRODUCT SPECIFICATION: PS-173359-0001;
 - PACKAGING SPECIFICATION: PK-170834-0001;
 - MATES WITH: MOLEX CABLE SERIES 200433;
 - MOUNTING HARDWARE REQUIRED:
 M2x0.4 CAP SCREWS (3);
 LENGTH: PCB THICKNESS + 3.0 MIN (6.0 MM MAX);
 - APPLICATION SPECIFICATION: AS-173359-0002;
 - ROUTING GUIDELINE: AS-173359-0001.

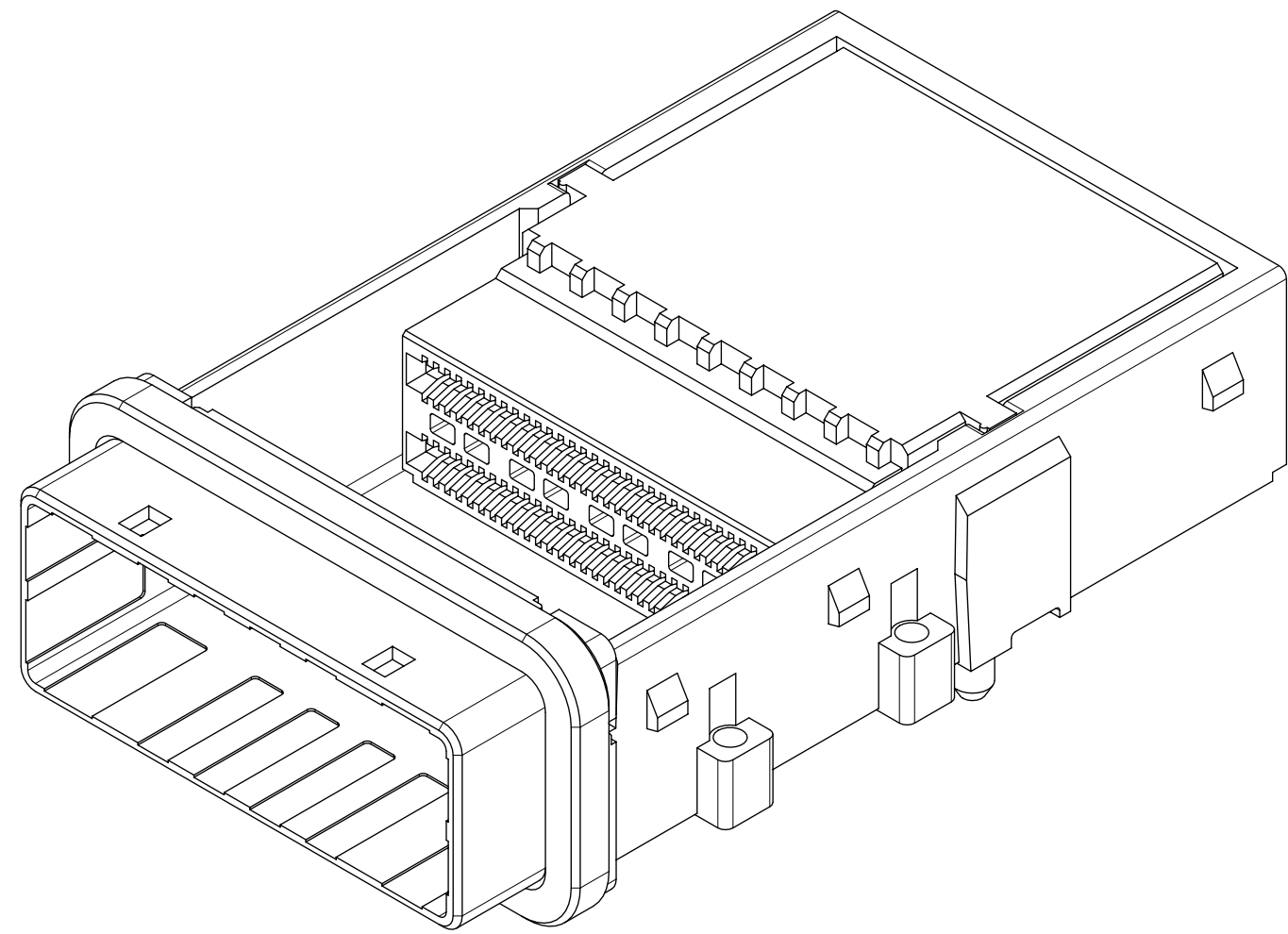
THIS DRAWING CONTAINS INFORMATION THAT IS PROPRIETARY TO MOLEX ELECTRONIC TECHNOLOGIES, LLC AND SHOULD NOT BE USED WITHOUT WRITTEN PERMISSION												
SYMBOLS		DIMENSION UNITS		SCALE		CURRENT REV DESC:						
▽ = 0		mm				EC NO: 647299						
▽ = 0		GENERAL TOLERANCES (UNLESS SPECIFIED)				DRWN: TTAO03 2020/09/02						
▽ = 0		ANGULAR TOL ± 0.5°				CHK'D: WZHAO21 2020/10/28						
▽ = 0		4 PLACES ±				APPR: WZHAO21 2020/10/28						
▽ = 0		3 PLACES ±				INITIAL REVISION:						
▽ = 0		2 PLACES ± 0.25				DRWN: MHANUMAPPARE 2016/11/29						
▽ = 0		1 PLACE ±				APPR: SMILLER 2017/02/14						
▽ = 0		0 PLACES ±				THIRD ANGLE PROJECTION						
▽ = 0		DRAFT WHERE APPLICABLE MUST REMAIN WITHIN DIMENSIONS				DRAWING		SERIES				
▽ = 0						C-SIZE		173359				
DOCUMENT STATUS			P1			RELEASE DATE			2020/10/28 04:29:08			
DOCUMENT NUMBER			PSD			CUSTOMER			GENERAL MARKET			
SD-173359-0001			000			SHEET NUMBER			1 OF 5			



1733590001 SHOWN
WITH EMI FINGERS AND EMI GASKET


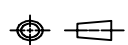


1733590002 SHOWN
WITHOUT EMI FINGERS AND GASKET

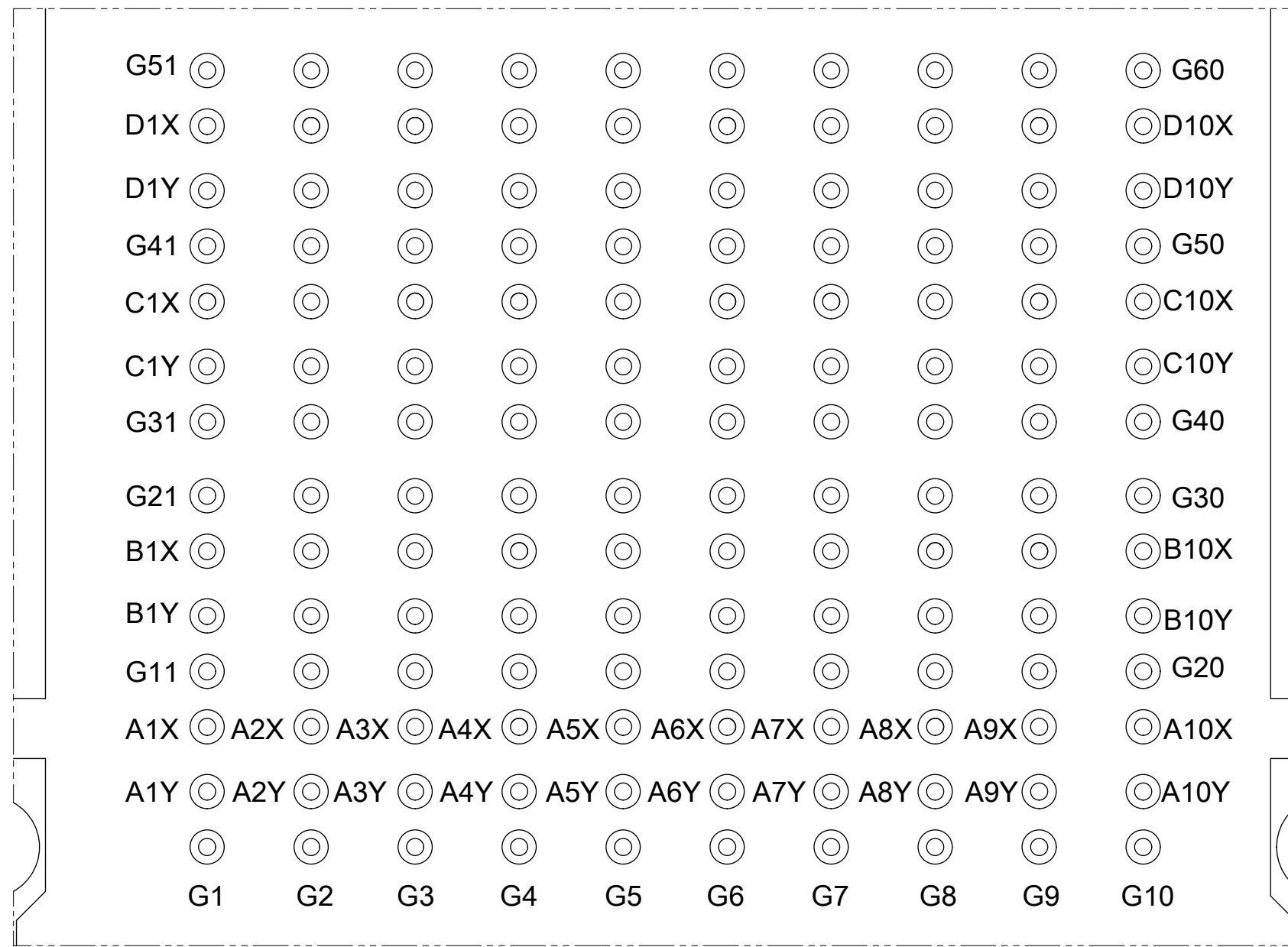
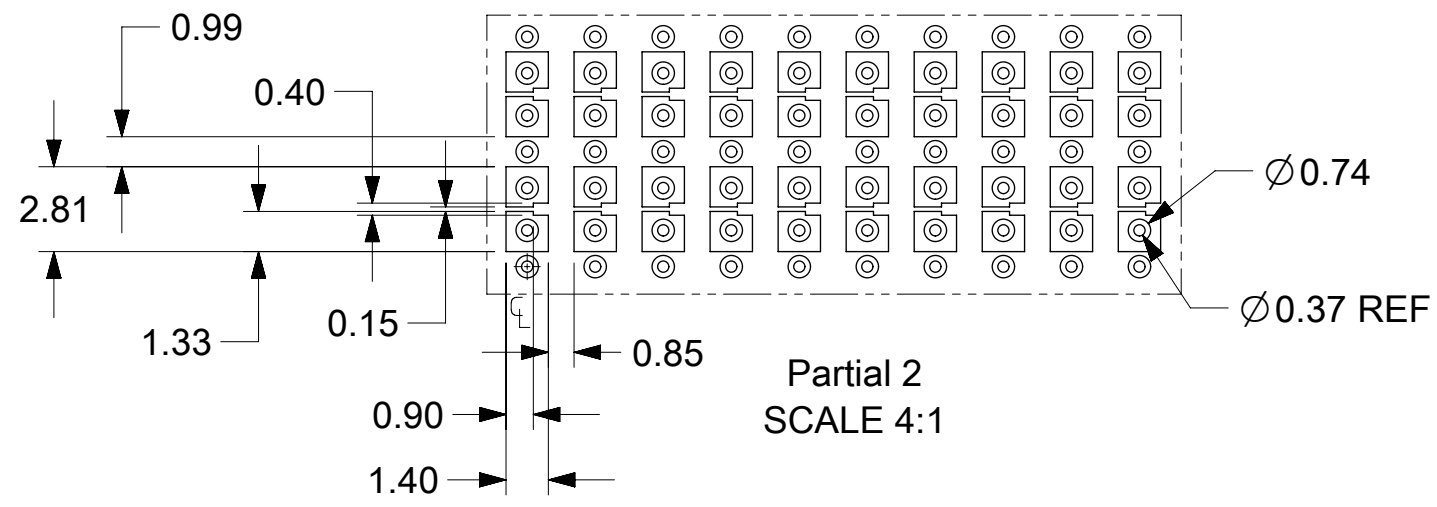


1733590004 SHOWN
WITHOUT EMI FINGERS AND WITH EMI GASKET

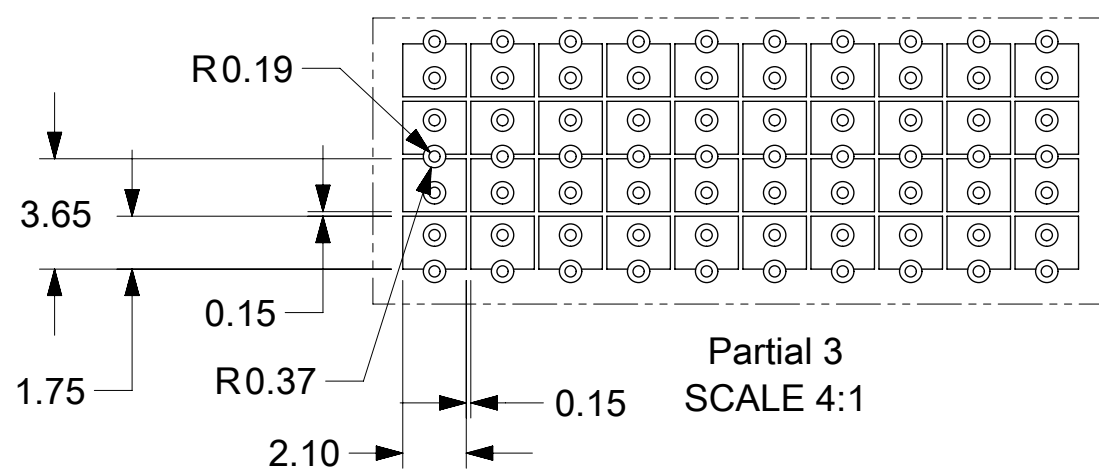
MATERIAL NUMBER	WITH EMI FINGERS	WITH EMI GASKET
1733590001	YES	YES
1733590002	NO	NO
1733590004	NO	YES

THIS DRAWING CONTAINS INFORMATION THAT IS PROPRIETARY TO MOLEX ELECTRONIC TECHNOLOGIES, LLC AND SHOULD NOT BE USED WITHOUT WRITTEN PERMISSION									
SYMBOLS		DIMENSION UNITS		SCALE		CURRENT REV DESC:		 ZCD 90 OHM 16X STYLE 1 ASSEMBLY	
▽ = 0 ▽ = 0 ▽ = 0 ▽ = 0 ▽ = 0 ▽ = 0 ▽ = 0 ▽ = 0 ▽ = 0		mm		GENERAL TOLERANCES (UNLESS SPECIFIED)		EC NO: 647299 DRWN: TTAO03 2020/09/02 CHK'D: WZHAO21 2020/10/28 APPR: WZHAO21 2020/10/28			
▽ = 0 ▽ = 0 ▽ = 0 ▽ = 0 ▽ = 0 ▽ = 0 ▽ = 0 ▽ = 0		ANGULAR TOL ± 0.5° 4 PLACES ± 3 PLACES ± 2 PLACES ± 0.25 1 PLACE ± 0 PLACES ±		INITIAL REVISION: DRWN: MHANUMAPPARE 2016/11/29 APPR: SMILLER 2017/02/14		PRODUCT CUSTOMER DRAWING DOCUMENT NUMBER SD-173359-0001		DOC TYPE PSD	
□ = 0 ■ = 0 ▽ = 0		DRAFT WHERE APPLICABLE MUST REMAIN WITHIN DIMENSIONS		THIRD ANGLE PROJECTION 		DRAWING C-SIZE		SERIES 173359	
DOCUMENT STATUS		P1		RELEASE DATE		2020/10/28 04:29:08		MATERIAL NUMBER SEE TABLE	
								CUSTOMER GENERAL MARKET	
								SHEET NUMBER 2 OF 5	

ABOVE AND BELOW
SIGNAL LAYERS

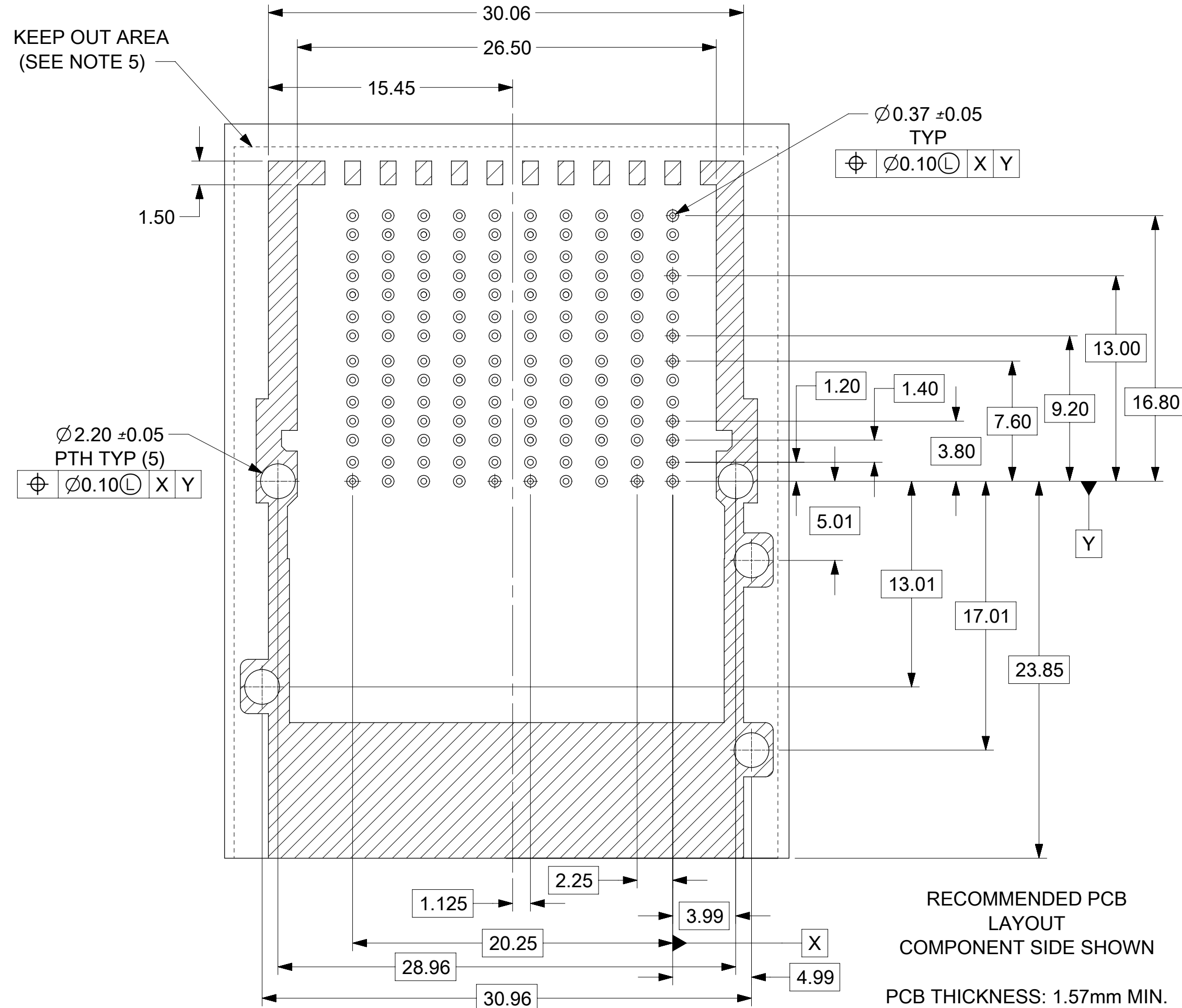


TOP AND BOTTOM EMI LAYER
AND ALL OTHER LAYERS WITHIN BOARD



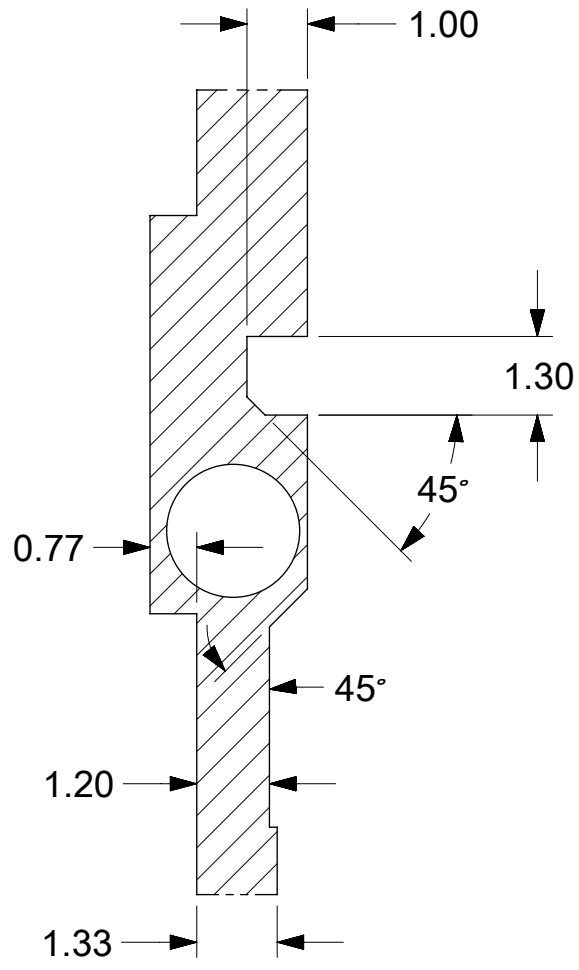
NOTES:

1. GROUNDS G1-G30 ARE ALL COMMON;
GROUNDS G31-G60 ARE ALL COMMON;
2. CROSS-HATCHED AREA TO BE CONDUCTIVE
ON THE PCB;
3. RECOMMENDED DRILL SIZE FOR 0.37 \varnothing FINISHED
PTH IS 0.457mm \varnothing (.018in \varnothing (#77. DRILL));
4. RECOMMENDED ANNULAR RING AROUND 0.37 \varnothing FINISHED
PTH IS 0.73 \varnothing ;
5. KEEP OUT AREA EXEPTION:
WHEN ADJACENT CONNECTOR IS PRESENT IT WILL INTERLEAVE
SHOWN KEEP OUT AREA).

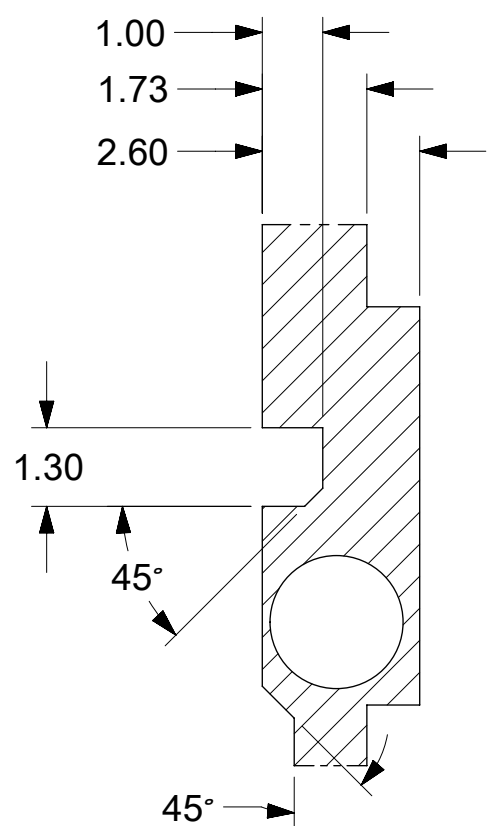


THIS DRAWING CONTAINS INFORMATION THAT IS PROPRIETARY TO MOLEX ELECTRONIC TECHNOLOGIES, LLC AND SHOULD NOT BE USED WITHOUT WRITTEN PERMISSION											
SYMBOLS		DIMENSION UNITS		SCALE		CURRENT REV		DESC:			
$\nabla = 0$	= 0	mm				EC NO: 647299					
$\nabla = 0$	= 0	GENERAL TOLERANCES (UNLESS SPECIFIED)				DRWN: TTAO03 2020/09/02					
$\nabla = 0$	= 0	ANGULAR TOL $\pm 0.5^\circ$				CHK'D: WZHAO21 2020/10/28		ZCD 90 OHM 16X STYLE 1 ASSEMBLY			
$\nabla = 0$	= 0	4 PLACES \pm				APPR: WZHAO21 2020/10/28		PRODUCT CUSTOMER DRAWING			
$\nabla = 0$	= 0	3 PLACES \pm				INITIAL REVISION:		DOCUMENT NUMBER			
$\nabla = 0$	= 0	2 PLACES ± 0.25				DRWN: MHANUMAPPARE 2016/11/29		SD-173359-0001			
$\nabla = 0$	= 0	1 PLACE \pm				APPR: SMILLER 2017/02/14		DOC TYPE DOC PART REVISION			
$\nabla = 0$	= 0	0 PLACES \pm				DRAFT WHERE APPLICABLE MUST REMAIN WITHIN DIMENSIONS		PSD 000 B			
$\nabla = 0$	= 0	THIRD ANGLE PROJECTION		DRAWING		SERIES		MATERIAL NUMBER CUSTOMER SHEET NUMBER			
$\nabla = 0$	= 0	C-SIZE		173359		SEE TABLE GENERAL MARKET		3 OF 5			

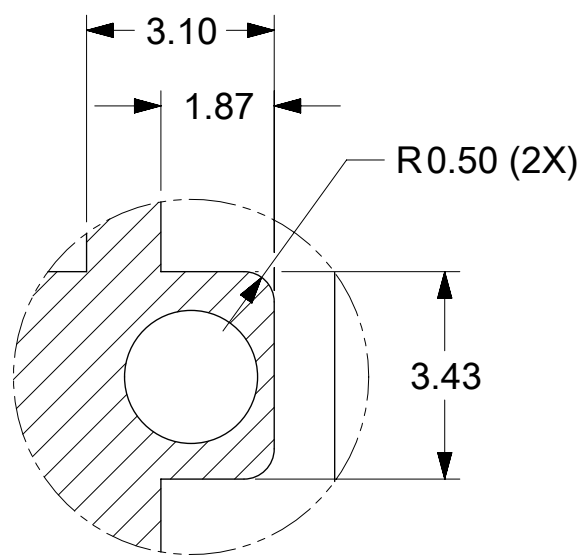
KEEP OUT AREAS



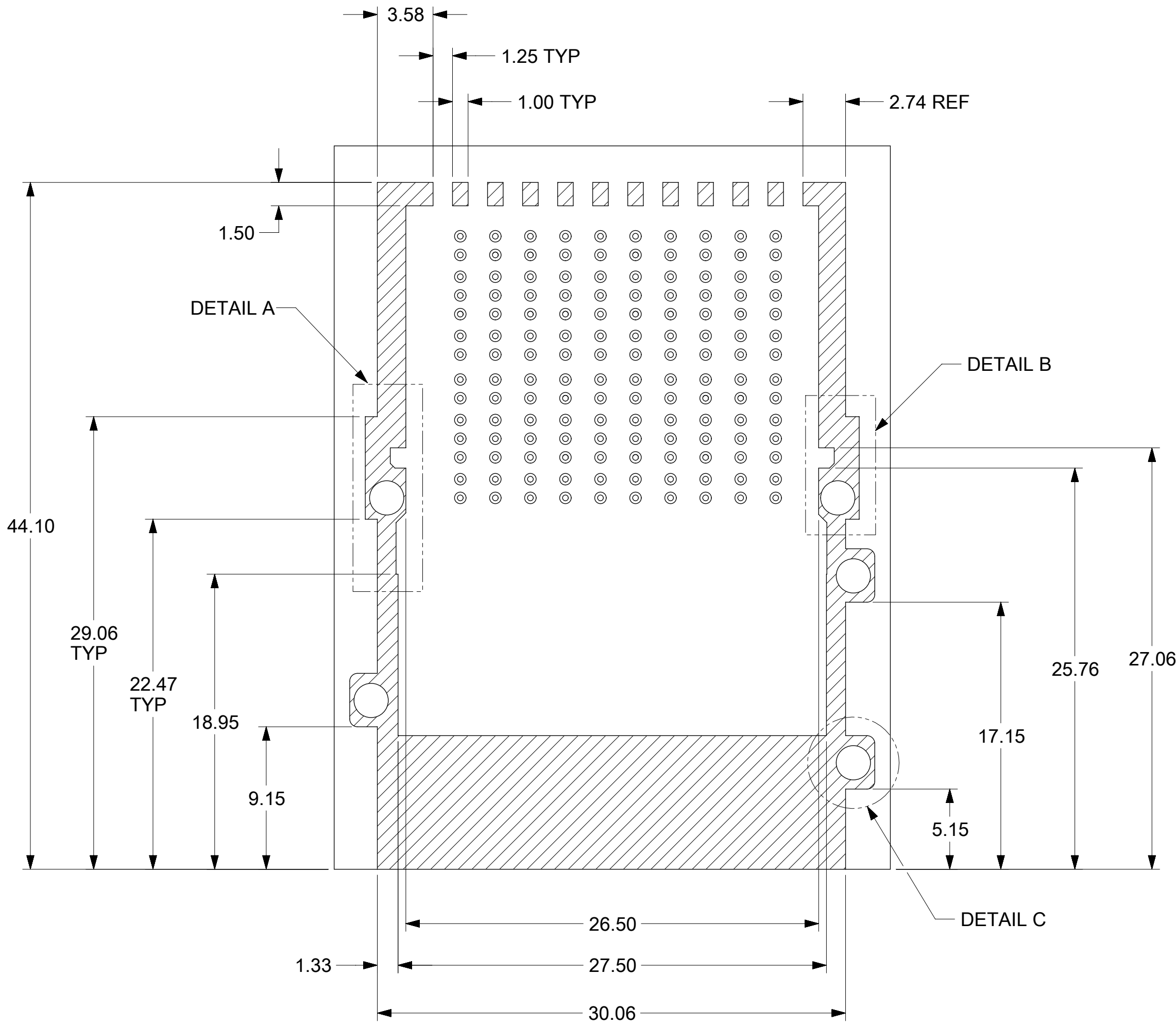
DETAIL A
SCALE 8:1



DETAIL B
SCALE 8:1

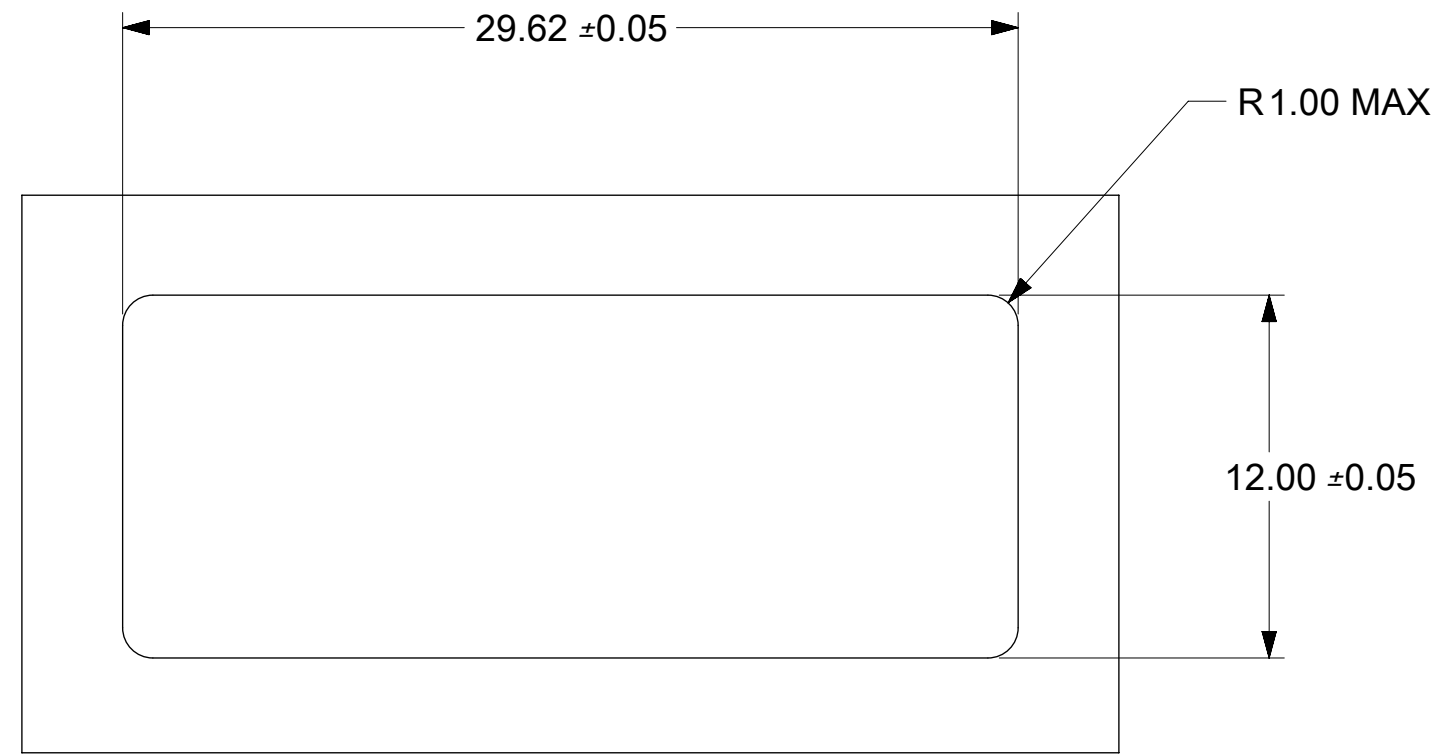


DETAIL C
SCALE 8:1
(3 PLACES)

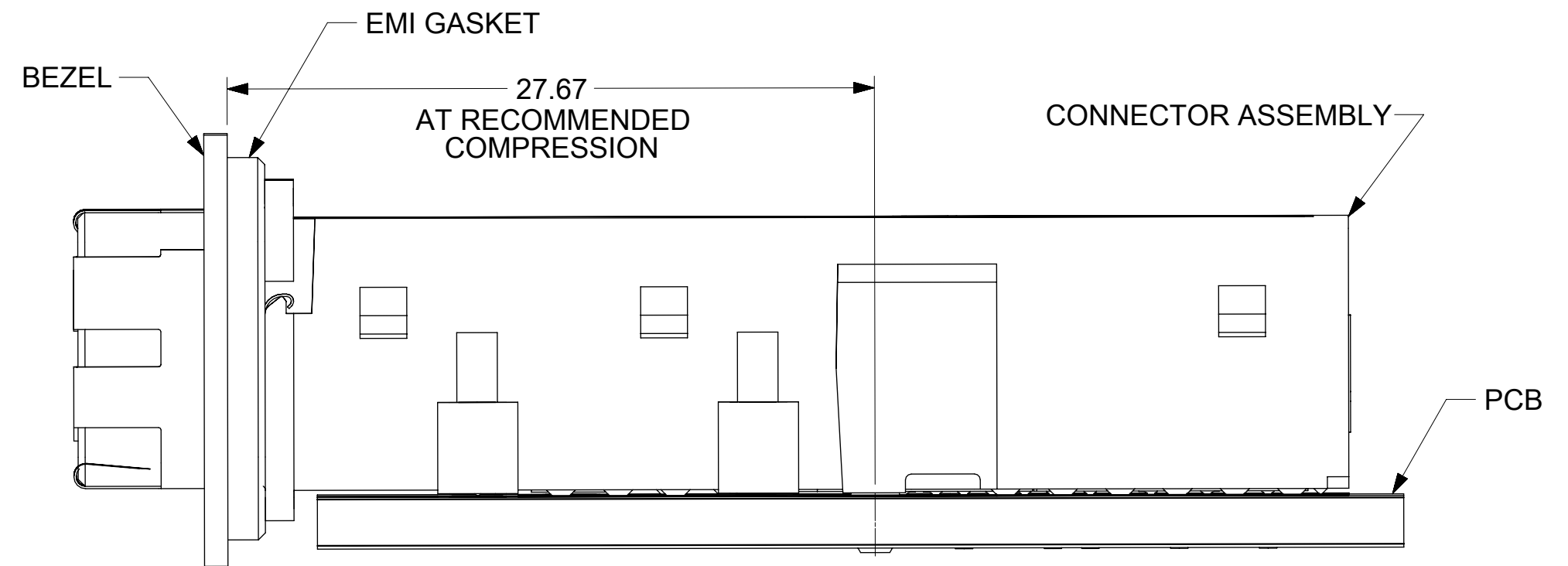
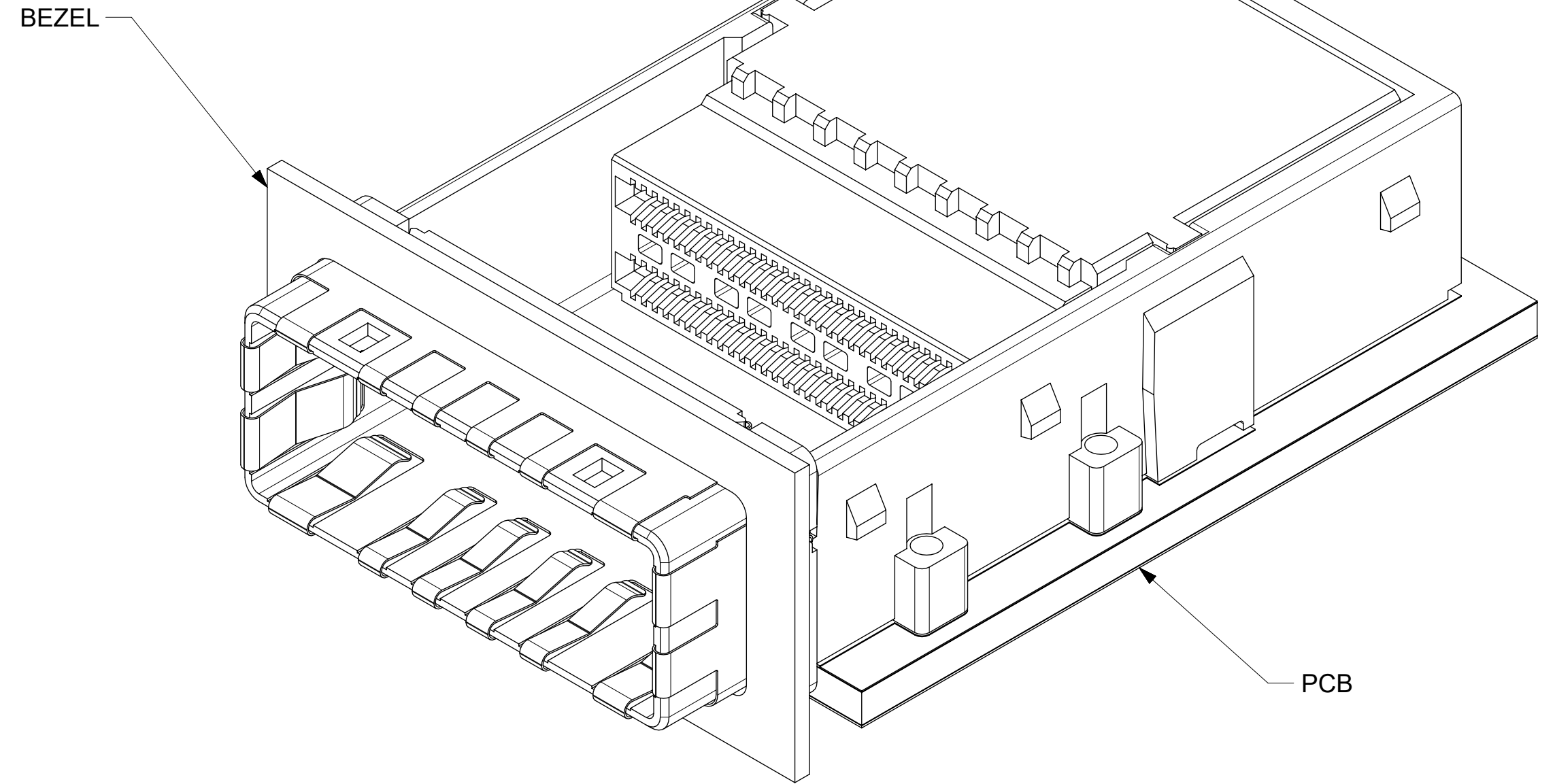
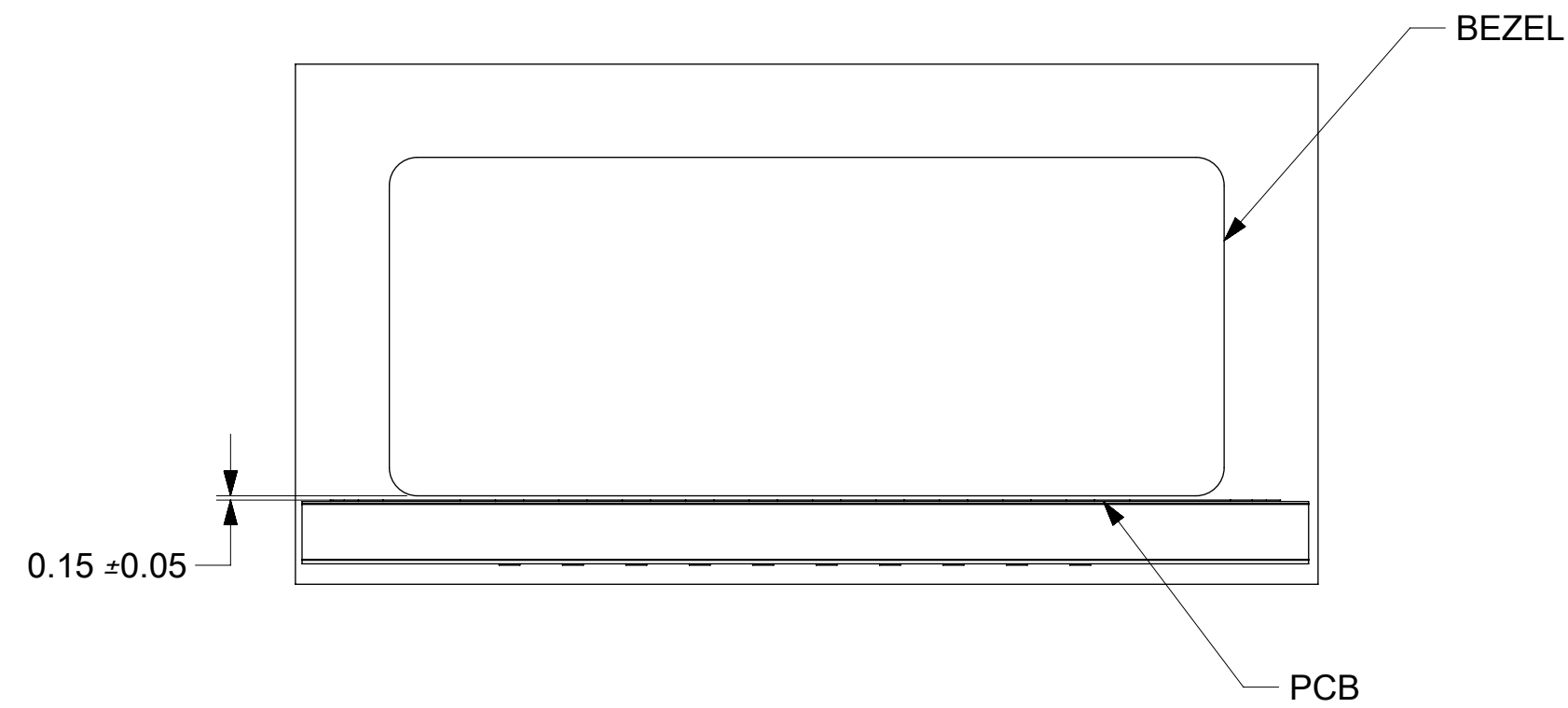


THIS DRAWING CONTAINS INFORMATION THAT IS PROPRIETARY TO MOLEX ELECTRONIC TECHNOLOGIES, LLC AND SHOULD NOT BE USED WITHOUT WRITTEN PERMISSION										
SYMBOLS		DIMENSION UNITS		SCALE		CURRENT REV DESC:				
▽ = 0	mm	GENERAL TOLERANCES (UNLESS SPECIFIED)				EC NO: 647299				
▽ = 0	ANGULAR TOL ± 0.5°				DRWN: TTAO03		2020/09/02			
▽ = 0	4 PLACES ±				CHK'D: WZHAO21		2020/10/28			
▽ = 0	3 PLACES ±				APPR: WZHAO21		2020/10/28		PRODUCT CUSTOMER DRAWING	
▽ = 0	2 PLACES ± 0.25				INITIAL REVISION:				DOCUMENT NUMBER	
▽ = 0	1 PLACE ±				DRWN: MHANUMAPPARE		2016/11/29		SD-173359-0001	
▽ = 0	0 PLACES ±				APPR: SMILLER		2017/02/14		DOC TYPE DOC PART REVISION	
▽ = 0	DRAFT WHERE APPLICABLE MUST REMAIN WITHIN DIMENSIONS				THIRD ANGLE PROJECTION		DRAWING SERIES		MATERIAL NUMBER CUSTOMER SHEET NUMBER	
▽ = 0	C-SIZE		173359		SEE TABLE		GENERAL MARKET		4 OF 5	

PANEL MOUNT CONFIGURATION



BEZEL CUT-OUT
(NOT SUPPLIED)



ASSEMBLED VIEW

NOTE:
1. MINIMUM PITCH BETWEEN TWO ADJACENT CONNECTORS IS 34mm;
2. BEZEL THICKNESS = 0.80 TO 2.4 mm.

THIS DRAWING CONTAINS INFORMATION THAT IS PROPRIETARY TO MOLEX ELECTRONIC TECHNOLOGIES, LLC AND SHOULD NOT BE USED WITHOUT WRITTEN PERMISSION										
SYMBOLS		DIMENSION UNITS	SCALE	CURRENT REV DESC:			molex			
▽ = 0	mm			EC NO: 647299			ZCD 90 OHM 16X STYLE 1 ASSEMBLY			
▽ = 0	GENERAL TOLERANCES (UNLESS SPECIFIED)			DRWN: TTAO03 2020/09/02						
▽ = 0	ANGULAR TOL ± 0.5°			CHK'D: WZHAO21 2020/10/28			PRODUCT CUSTOMER DRAWING			
▽ = 0	4 PLACES ±			APPR: WZHAO21 2020/10/28						
▽ = 0	3 PLACES ±			INITIAL REVISION:			DOCUMENT NUMBER: SD-173359-0001			
▽ = 0	2 PLACES ± 0.25			DRWN: MHANUMAPPARE 2016/11/29						
▽ = 0	1 PLACE ±			APPR: SMILLER 2017/02/14			DOC TYPE: PSD			
▽ = 0	0 PLACES ±			DRAFT WHERE APPLICABLE MUST REMAIN WITHIN DIMENSIONS						
▽ = 0	THIRD ANGLE PROJECTION			DRAWING: C-SIZE			DOC PART: 000			
▽ = 0				SERIES: 173359						
				MATERIAL NUMBER: SEE TABLE			SHEET NUMBER: 5 OF 5			
				CUSTOMER: GENERAL MARKET						