

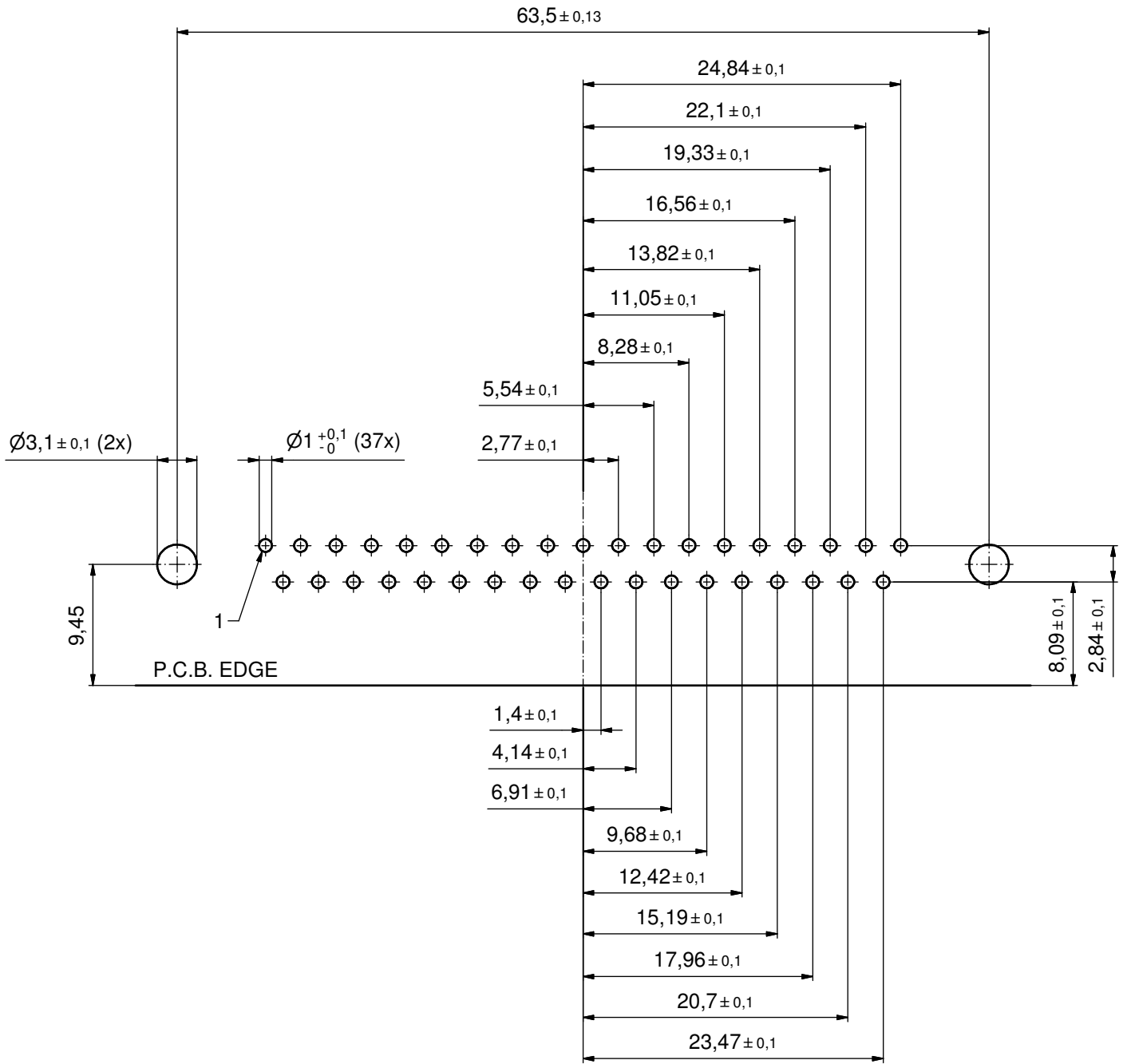
NOTES:

- METALSHELLS: STEEL; min. 315µm TIN over 40-80µm NICKEL
- INSULATORS: PBT GF UL 94 V-0, BLACK
- CONTACTS: COPPER ALLOY
 PLATING (SEE PART NO.):
 PLEASE ADD A for GOLD FLASH over NICKEL (PREFERRED TYPE)
 PLEASE ADD B for 20µm HARD GOLD over min. 50µm NICKEL
 PLEASE ADD C for 30µm HARD GOLD over min. 50µm NICKEL
- MOUNTING BRACKETS: PBT GF UL 94 V-0; BLACK
- THREADED INSERTS: COPPER ALLOY; min. 200µm TIN over 80µm NICKEL
- GROUNDING CLIPS: COPPER ALLOY; min. 200µm TIN over 80µm NICKEL
 PCB-HOLE: $\varnothing 3,1 \pm 0,1$; PCB THICKNESS 1,6mm
- FIXING-PLATE: PBT GF UL 94 V-0; BLACK
- PCB HOLE DRILLINGS ON SHEET 2
- MAXIMUM TORQUE VALUE FOR THREAD: 6 in.LB
- CONNECTOR IS PART MARKED: 163□18419X CONEC ABC (see note 3)

Directive 2002/95/EC RoHS compliant

THIS DRAWING MAY NOT BE COPIED OR REPRODUCED IN ANY WAY, AND MAY NOT BE PASSED ON TO A THIRD PARTY WITHOUT WRITTEN PERMISSION. OWNERSHIP AND COPYRIGHT OF CONEC GmbH DO NOT ALTER CAD DRAWING BY HAND	tolerance		dim. in mm	scale: 2:1 (5:1)		
				material: SEE NOTES		
	date	name		title: D-SUB MALE 90° 37pos. SOLDER PIN ANGLED 0.318inch with threaded insert, mounting bracket, grounding clip		
	drawn	04.12.13	Henneboel			
	appd.	06.12.13	Schmidt			
	norm					
	d-old			dwg no:		
	a	Original			16K1A3362	DIN-A3
	rev.	description			date	name
					part no:	163□18419X (see note 3)

P.C.B. HOLE DRILLINGS
(P.C.B. TOP SIDE)



THIS DRAWING MAY NOT BE COPIED OR REPRODUCED IN ANY WAY, AND MAY NOT BE PASSED ON TO A THIRD PARTY WITHOUT WRITTEN PERMISSION. OWNERSHIP AND COPYRIGHT OF CONEC GmbH DO NOT ALTER CAD DRAWING BY HAND				tolerance		scale: 3:1	
					dim. in mm	material: SEE SHEET 1	
				date	name	title: P.C.B. HOLE DRILLINGS D-SUB MALE 90° 37pos. 0.318inch with threaded insert, mounting bracket, grounding clip	
				drawn 04.12.13	Henneboel		
				appd. 06.12.13	Schmidt		
				norm			
				d-old		dwg no:	
	a	Original		CONEC ®		16K1A3362	DIN-A3
	rev.	description	date			name	part no: SEE SHEET 1