

6

5

4

3

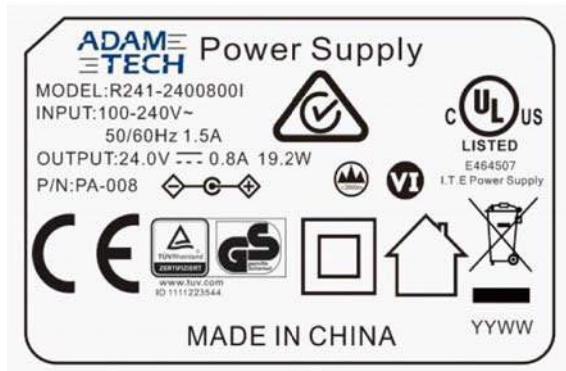
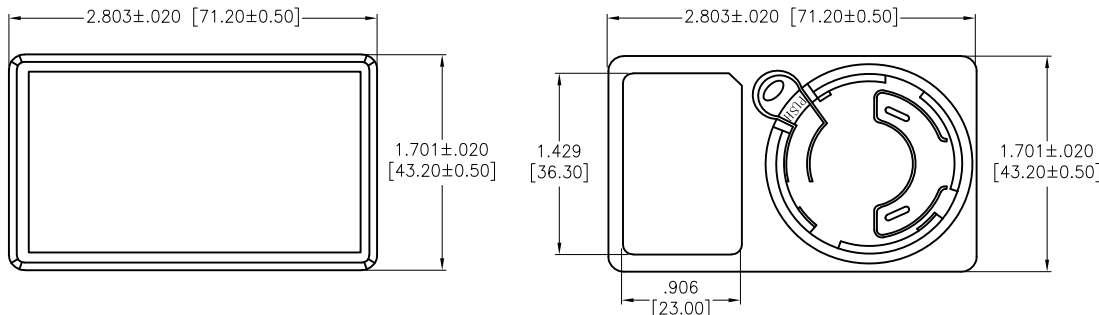
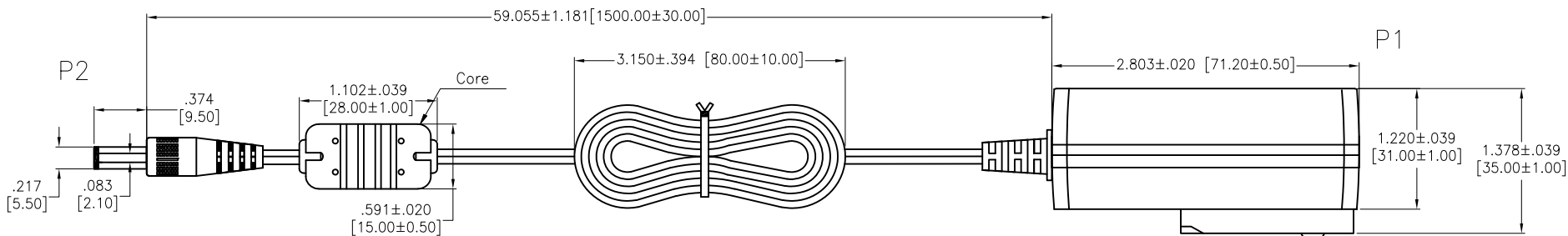
2

1

APPROVED: _____

DATE: _____ TITLE: _____

Rev	AWO #	Description	Date	Appr
-		RELEASED	3/22/21	
A		UPDATE LABEL	7/19/21	WX/AC



SPECIFICATIONS:

- Connector
- P1: Power Adapter, W/Strain
- P2: DC Plug, W/Strain Relief, AC PIN: Brass Nickel plated, 5.5*2.1*9.5mm Overmold Color: Black PVC-45P

CABLE:
 UL2468: 24AWG*2C 80°C, Jacket Color: Black

Electrical:
Input:
 Voltage: 100Vac to 240Vac
 Current: 1.5A Max. @ 100Vac input & max load
 Frequency: 50Hz / 60Hz
Output:
 Voltage: 24V
 Current: 0.8A max.
 Load Regulation: ±5%
 Line Regulation: ±3%

Line Load Regulation-Output Rate: 24V, 0.8A
 Insulation Resistance: 100 Mohms min @ 500VDC
 Dielectric withstanding voltage (Hi-pot): 3,000V AC For 1 Minute
 Leakage Current: 0.25mA max. @ 240V AC/50Hz
 Temperature Rating:

Operating Temperature: 0°C to +45°C
 Storage Temperature: -25°C to +85°C
 Environmental:

Lead free, RoHS compliant.



SEE SHT 2 OF 2 FOR PLUG TYPE OPTIONS

UNLESS OTHERWISE SPECIFIED ALL DIMENSIONS ARE INCHES [MM] TOLERANCES: EXCEPT AS NOTED		ADAM TECH 909 Rahway Avenue, Union, NJ 07083 Phone: 908-687-5000 Fax: 908-687-5710	
INCHES HOLES .X ± .10 ØX ± .10 .XX ± .020 ØXX ± .015 .XXX ± .015 ØXXX ± .010			
APPROVALS		TITLE	
DRAWN	WX	POWER ADAPTER TO DC PLUG, COLOR BLACK	
CHECKED	AC	24 VOLT, 0.8AMP, UL2468 24AWG	
APPROVED		SIZE	PART NO.
		X	PA-008-X
		REF:	SCALE: NTS SHEET 1 OF 2

6

5

4

3

2

1

6

5

4

3

2

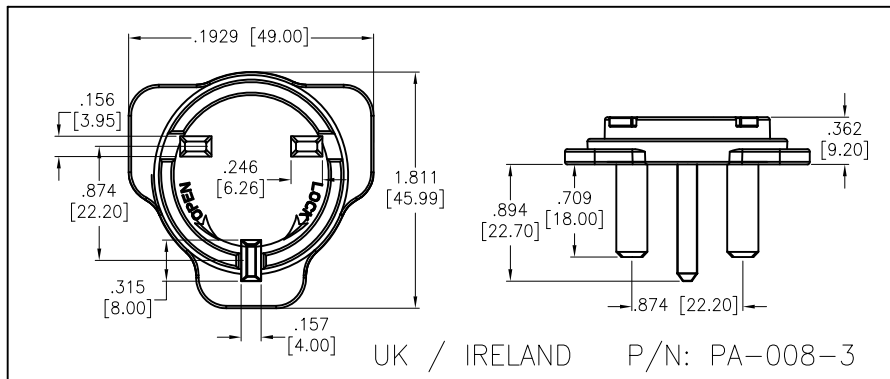
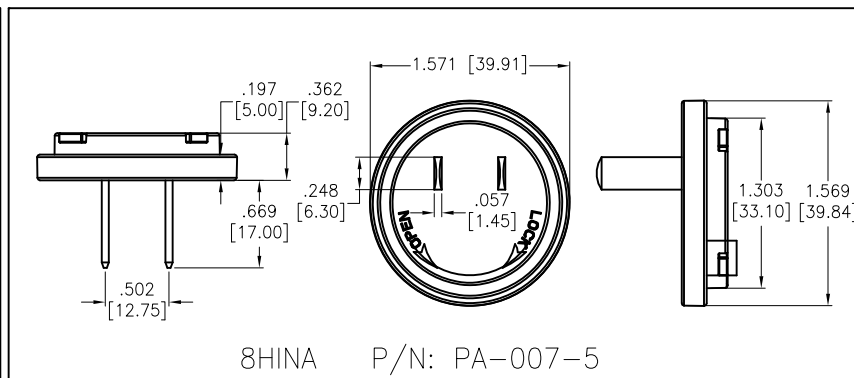
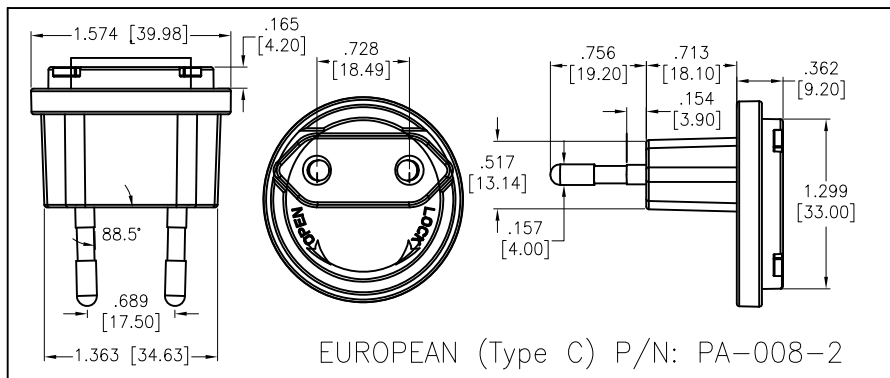
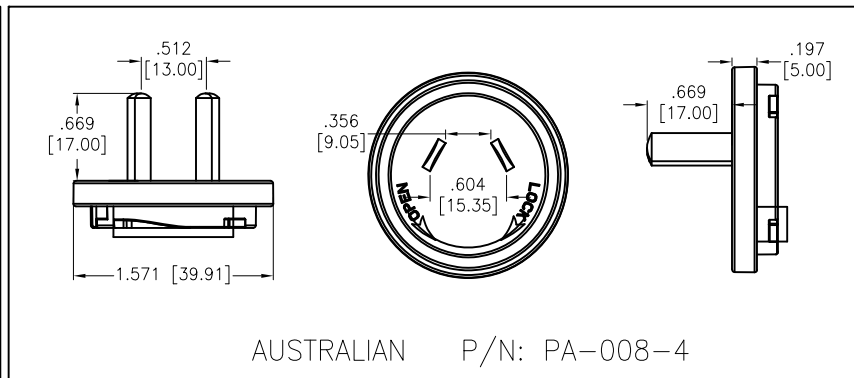
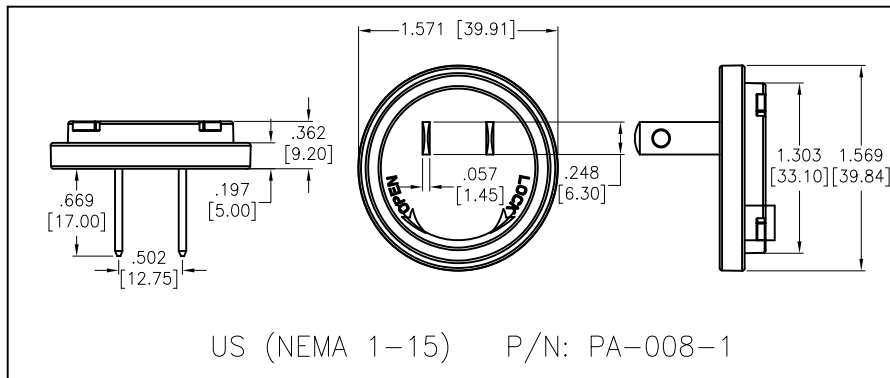
1

APPROVED: _____

DATE: _____ TITLE: _____

Rev	AWO #	Description	Date	Appr
-----	-------	-------------	------	------

SEE SHT 1 OF 2 FOR REVISION



UNLESS OTHERWISE SPECIFIED
ALL DIMENSIONS ARE INCHES [MM]
TOLERANCES: EXCEPT AS NOTED

.X ± .10	∅X ± .10
.XX ± .020	∅XX ± .015
.XXX ± .015	∅XXX ± .010

APPROVALS		DATE
DRAWN	WX	3/22/21
CHECKED	AC	3/22/21
APPROVED		

ADAM TECH 909 Rahway Avenue,
Union, NJ 07083
Phone: 908-687-5000
Fax: 908-687-5710

TITLE: POWER ADAPTER TO DC PLUG, COLOR BLACK
24 VOLT, 0.8AMP, UL2468 24AWG

SIZE X	PART NO. PA-008-X	REV. A
REF:	SCALE: NTS	SHEET 2 OF 2

6

5

4

3

2

1