

5

4

3

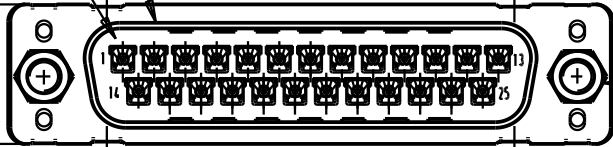
2

1

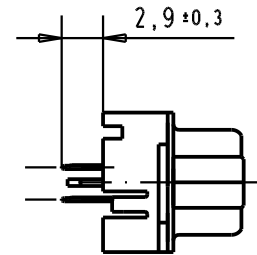
Mating face according to : MIL-C-24308 / DIN 41652 / CECC 75301-802

No.1 contact

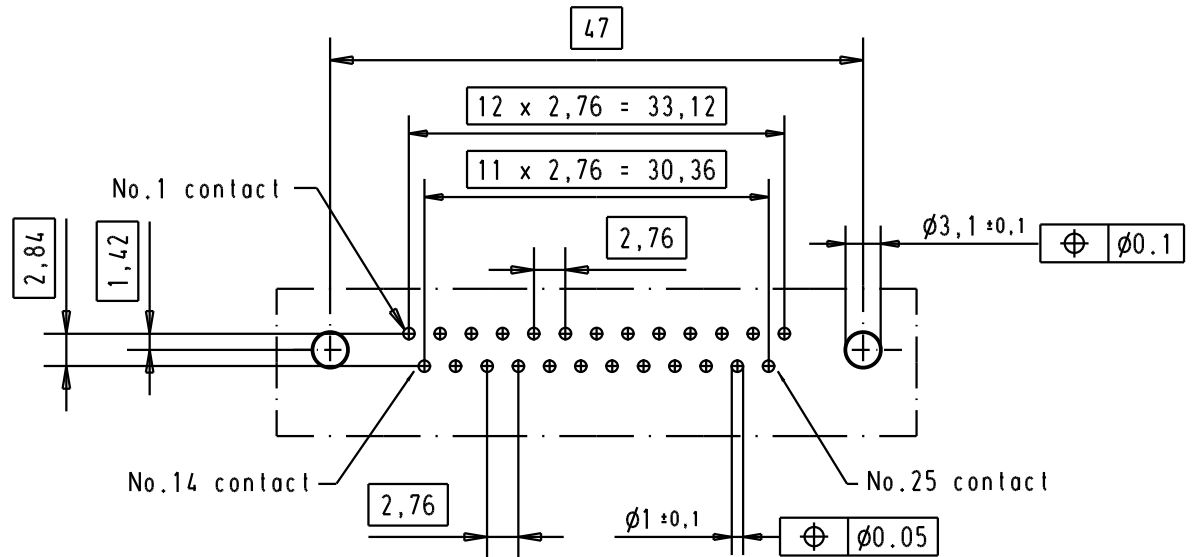
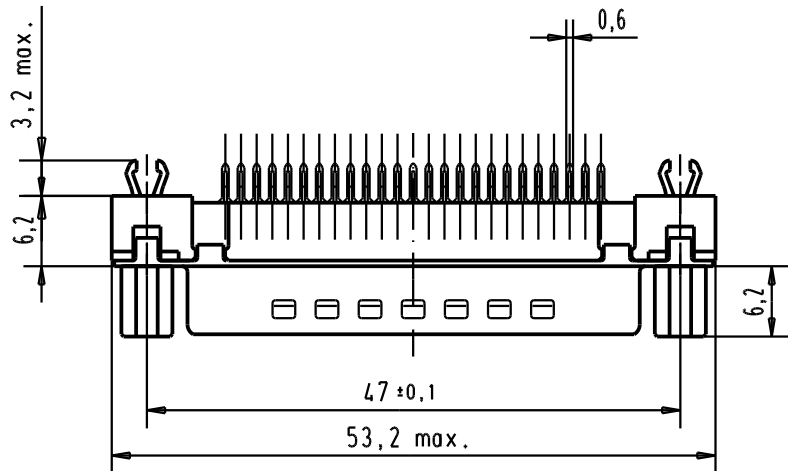
12,5 max.



screw lock thread



Printed board layout  
component side



Connector retention and insertion forces on the PCB = 25 / 80 Newtons.

09 65 369 3733	M3	1								
09 65 369 6733	M3	2								
09 65 369 7733	M3	3								
09 65 369 3713	4-40 UNC	1								
09 65 369 6713	4-40 UNC	2	31892	22/04/04	JH					
09 65 369 7713	4-40 UNC	3	31084	04/09/02	YT					
Part number	Screw lock thread	Performance level	Mod.	Dat.	Name					

	Dat.	Name
Detail.	04/09/02	YT
Insp.		
Stand.		



All Dim. in mm  
Orig. Size DIN A 4

D-Sub, High temperature,  
25 poles, male, straight  
with solder pins 2.9, screw lock  
and grounding board lock.

Maßstab/  
Scale

1.5:1

HARTING EURL  
F-95972 Paris



TB 09 65 369 x7x3

Blatt/ Page

1

Sub.