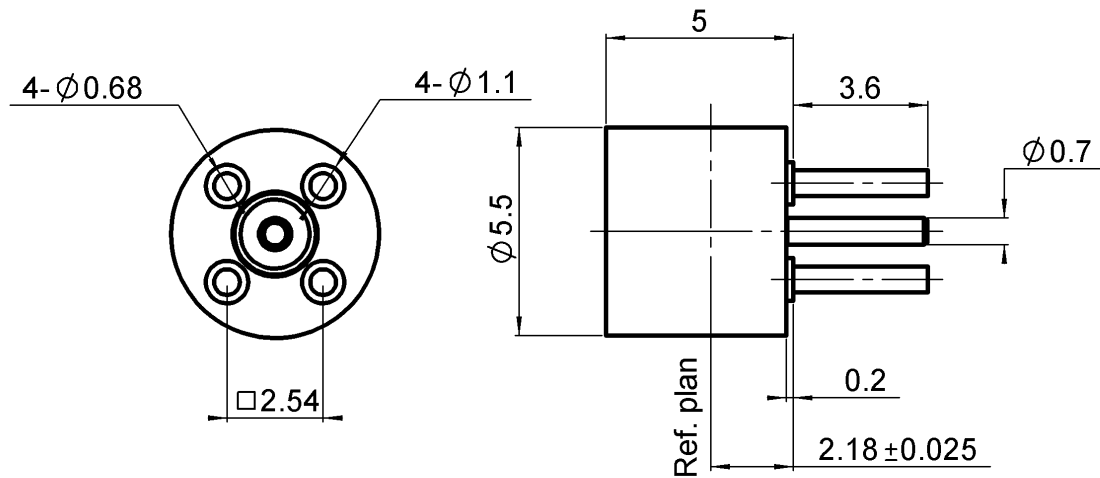
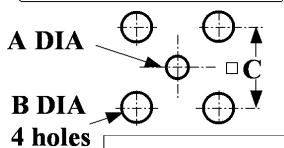


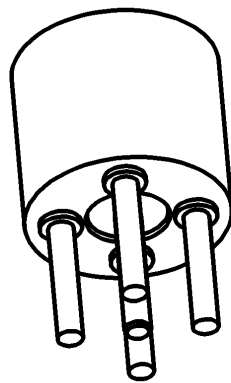
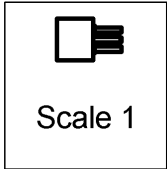
PAGE 1/2	ISSUE 04-01-17B	SERIES SMP	PART NUMBER R222426720
----------	-----------------	------------	------------------------



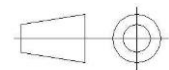
PANEL CUT OUT



	mm	
	Maxi	mini
A	0.86	0.79
B	0.98	0.94
C	2.59	2.49



All dimensions are in mm.



COMPONENTS	MATERIALS	PLATING (µm)
Body	STAINLESS STEEL	GOLD 0.5 OVER NICKEL 2
Center contact	BERYLLIUM COPPER	GOLD 1.27 OVER NICKEL 1.27
Outer contact		
Insulator	PTFE	
Gasket		
Others parts		
-	-	-
-	-	-

PAGE 2/2	ISSUE 04-01-17B	SERIES SMP	PART NUMBER R222426720
----------	-----------------	------------	------------------------

PACKAGING

Standard	Unit	Other
100	Contact us	Contact us

ELECTRICAL CHARACTERISTICS

Impedance		50	Ω
Frequency		0-40*	GHz
VSWR***	1.15** +	0,0000	x F(GHz) Maxi
Insertion loss		0.12*	√F(GHz) dB Maxi
RF leakage	- (NA	- F(GHz)) dB Maxi
Voltage rating		335	Veff Maxi
Dielectric withstanding voltage		500	Veff mini
Insulation resistance		5000	MΩ mini

ENVIRONMENTAL

Operating temperature	-65/+165	°C
Hermetic seal	NA	Atm.cm3/s
Panel leakage	NA	

MECHANICAL CHARACTERISTICS

Center contact retention			
Axial force – Mating End		6.8	N mini
Axial force – Opposite end		NA	N mini
Torque		NA	N.cm mini
Recommended torque			
Mating		NA	N.cm
Panel nut		NA	N.cm
Mating life		1000	Cycles mini
Weight		0,7200	g

SPECIFICATION

OTHER CHARACTERISTICS

Assembly instruction:NA

Others:

- *Coaxial Transmission Line Only
- **DC-12 Ghz (Coaxial transmission line only)
- ***Performance strongly depends on layout and PCB material