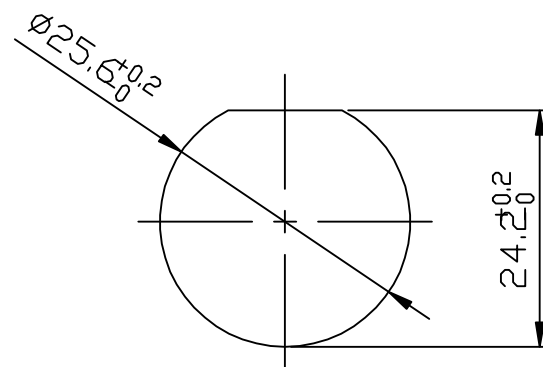
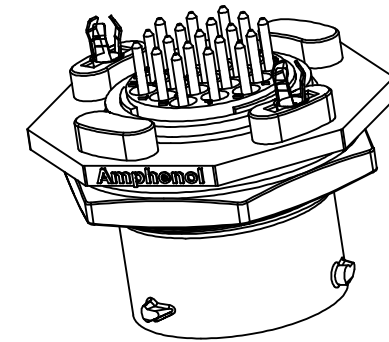
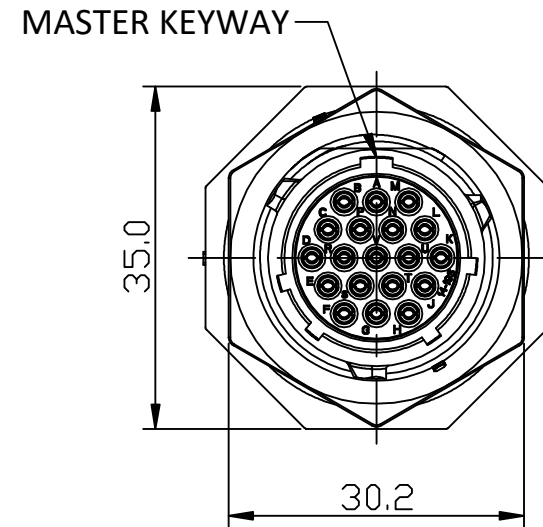
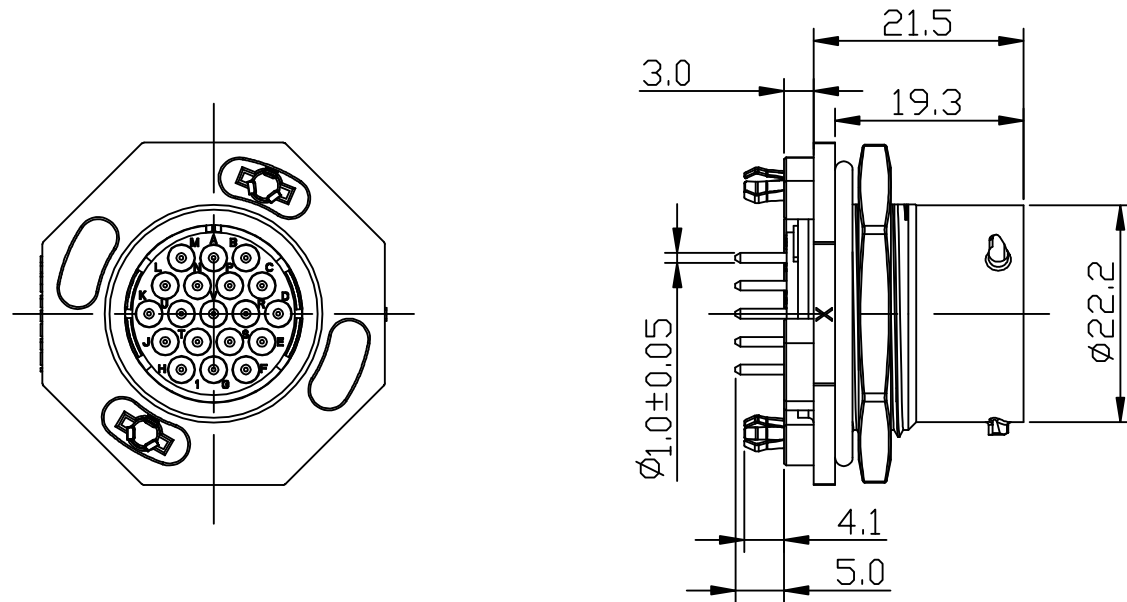
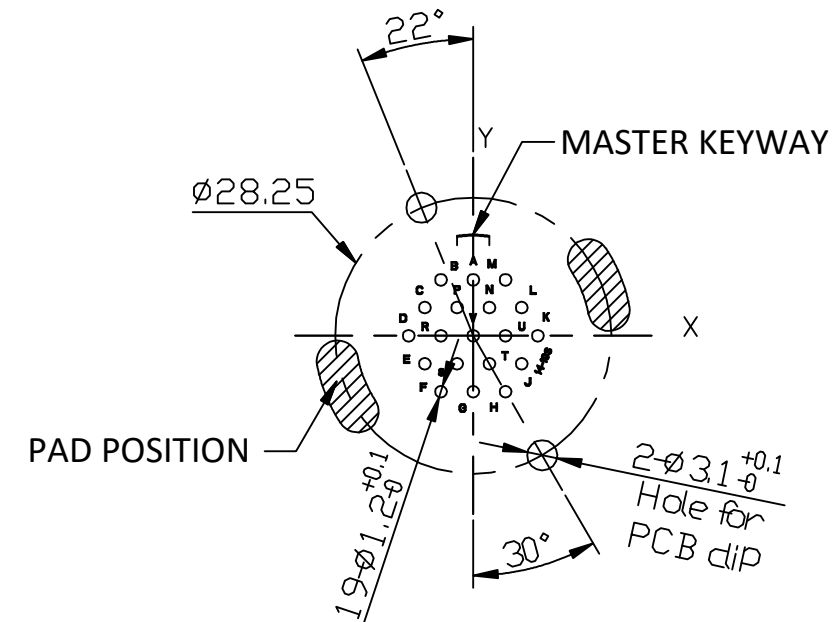


REVISIONS					
REV	ECD	DESCRIPTION	DATE	BY	APPR
A1	-	FIRST RELEASED	Jul-31-2019	Ronald	Tommy



RECOMMEND MOUNTING HOLE



RECOMMEND PCB LAYOUT

Position number	X	Y
A	0.000	5.715
B	-3.302	5.715
C	-4.953	2.870
D	-6.604	0.000
E	-4.953	-2.870
F	-3.302	-5.715
G	0.000	-5.715
H	3.302	-5.715
J	4.953	-2.870
K	6.604	0.000
L	4.953	2.870
M	3.302	5.715
N	1.651	2.870
P	-1.651	2.870
R	-3.302	0.000
S	-1.651	-2.870
T	1.651	-2.870
U	3.302	0.000
V	0.000	0.000

NOTES: (UNLESS OTHERWISE SPECIFIED)

1. MATERIAL:

- SHELL: THERMOPLASTIC, UL94 V-0.
- INSERT: THERMOPLASTIC, UL94 V-0.
- O-RING: SILICONE RUBBER.
- SEAL GASKET: SILICONE RUBBER.
- JAM NUT: ALUMINIUM ALLOY, BLACK ANODIZING.
- CONTACT: COPPER ALLOY, GOLD PLATED.
- LOCKING POSTS: COPPER ALLOY, TIN PLATED.

2. SPECIFICATIONS:

- 2.1 RATED CURRENT: 7.5A (MAX).
- 2.2, RATED VOLTAGE: 250V (AC/DC).
- 2.3, OPERATING TEMPERATURE: -40C - 125C.
- 2.4 DIELECTRIC WITHSTANDING VOLTAGE: LESS THAN 2 MILLIAMPS CURRENT LEAKAGE@1500 VOLTS AC.
- 2.5 INSULATION RESISTANCE: 5000 MEGOHMS MIN.
- 2.6 IP--CLASS: IP67 AND IP69K IN THE MATED CONDITION.
- 2.7 MATING CYCLES DURABILITY: 500 CYCLES MIN.
- 2.8 RoHS COMPLIANT.

3. SUITABLE CONTACTS: 20# CONTACT

4. ALL DIMENSIONS ARE FOR REFERENCE USE ONLY.

KEY	PART NUMBER
N	RTS714ND19S0332
W	RTS714WD19S0332
X	RTS714XD19S0332
Y	RTS714YD19S0332
Z	RTS714ZD19S0332

QUANTITY	PART NUMBER	DESCRIPTION	ITEM												
MATERIALS LIST															
UNLESS OTHERWISE SPECIFIED 1) All dimensions are in metric (mm). 2) Tolerances are as follows: 1 PL DEC ±0.30 2 PL DEC ±0.18 3 PL DEC ±0.08 3) Note reference = X		<table border="1"> <thead> <tr> <th>SIGNATURES</th> <th>DATE</th> </tr> </thead> <tbody> <tr> <td>DRAWN: Ronald</td> <td>Jul-31-2019</td> </tr> <tr> <td>CHECKED: Martin</td> <td>Jul-31-2019</td> </tr> <tr> <td>ENGINEER:</td> <td></td> </tr> <tr> <td>APPROVAL: Tommy</td> <td>Jul-31-2019</td> </tr> <tr> <td>CUSTOMER:</td> <td></td> </tr> </tbody> </table>		SIGNATURES	DATE	DRAWN: Ronald	Jul-31-2019	CHECKED: Martin	Jul-31-2019	ENGINEER:		APPROVAL: Tommy	Jul-31-2019	CUSTOMER:	
SIGNATURES	DATE														
DRAWN: Ronald	Jul-31-2019														
CHECKED: Martin	Jul-31-2019														
ENGINEER:															
APPROVAL: Tommy	Jul-31-2019														
CUSTOMER:															
MATERIAL SPECIFICATIONS:		<p style="text-align: center;">Amphenol</p> <p>Sine Systems - www.amphenol-sine.com 44724 Morley Drive Clinton Township, MI 48036</p>													
PROCESS SPECIFICATIONS:		<p>ECOMATE® AQUARIUS™, RECEPTACLE, JAM NUT, 19POS, SOCKET CONTACT, SIZE 14</p>													
NEXT ASS'Y:		<table border="1"> <thead> <tr> <th>SIZE</th> <th>TYPE</th> <th>DWG NO:</th> <th>REVISION</th> </tr> </thead> <tbody> <tr> <td>B</td> <td>C-</td> <td>RTS714*D19S0332</td> <td>A1</td> </tr> </tbody> </table>		SIZE	TYPE	DWG NO:	REVISION	B	C-	RTS714*D19S0332	A1				
SIZE	TYPE	DWG NO:	REVISION												
B	C-	RTS714*D19S0332	A1												
		<table border="1"> <thead> <tr> <th>SCALE</th> <th>SHEET</th> <th>OF</th> </tr> </thead> <tbody> <tr> <td>NONE</td> <td>1</td> <td>1</td> </tr> </tbody> </table>		SCALE	SHEET	OF	NONE	1	1						
SCALE	SHEET	OF													
NONE	1	1													

TITLE: ECOMATE RECEPTACLE, JAM NUT, SIZE 14, 19POS, SOCKET

DWG NO: RTS714*D19S0332

REV: A1

SH: 1

DF: 1