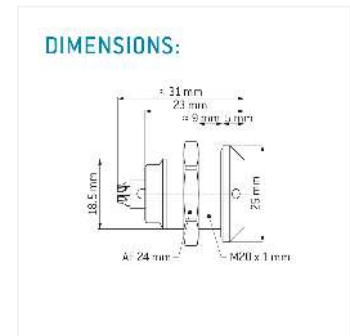
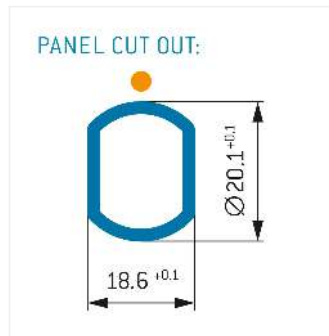
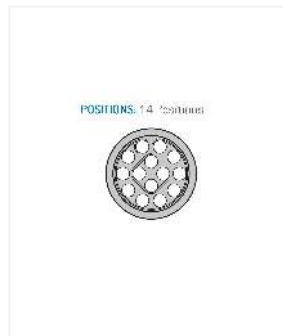


## General information

|                   |                     |
|-------------------|---------------------|
| Part number       | G12KAC-P14PFG0-0000 |
| Termination       | crimp               |
| Size              | 2                   |
| Locking principle | break, push         |
| Coding            | a_key               |



## Contact insert description

|                    |           |
|--------------------|-----------|
| Number of contacts | 14        |
| Contact type       | pins      |
| Contact diameter   | 07mm      |
| Insulator material | peek      |
| Wire cross section | 22-26 awg |
| Termination        | crimp     |

reverse\_gender\_on\_request

## Technical information

|  |          |               |
|--|----------|---------------|
| Max. creepage and air clearance distance | 07_mm    | 07_mm         |
| Nominal current single contact           | 075_a    | iec_60512_5_2 |
| Nominal current insert                   | 3,75 A   | vde_0298_4    |
| Test voltage                             | 11_kv_ac | sae_13441     |

safety\_text

## Mechanical and environmental data

|                       |          |
|-----------------------|----------|
| Degree of protection* | ip68     |
| Operating temperature | 40_120_c |
| Mating cycles         | 5000     |

mated

## Material and surface treatments

|         |               |
|---------|---------------|
| Housing | m_chrome      |
| Contact | cu_alloy_gold |

safety\_text\_2  
ul\_text  
illustrative\_text