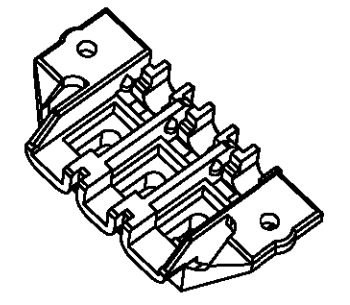
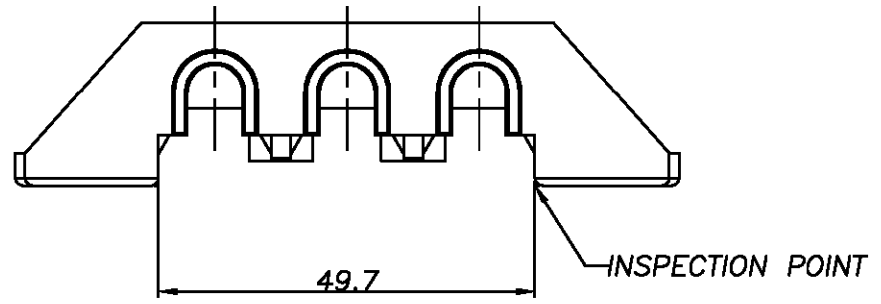
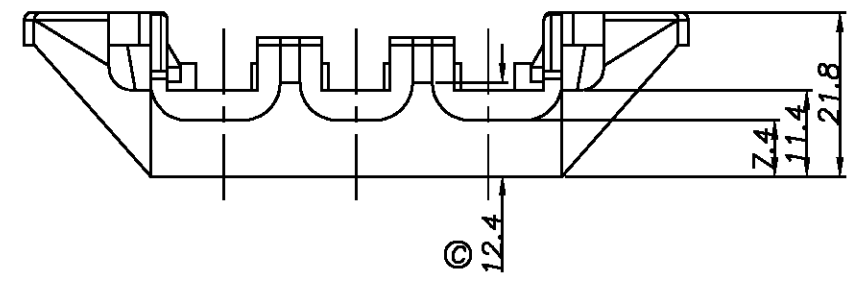
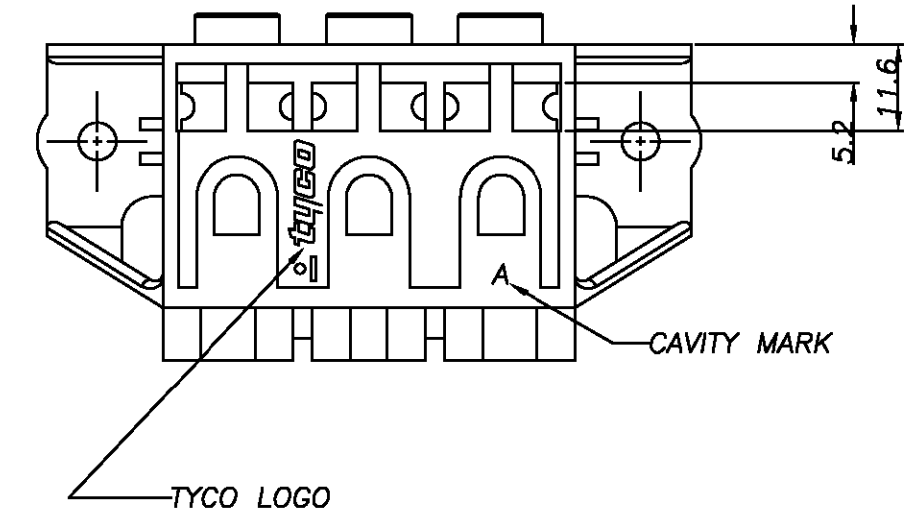
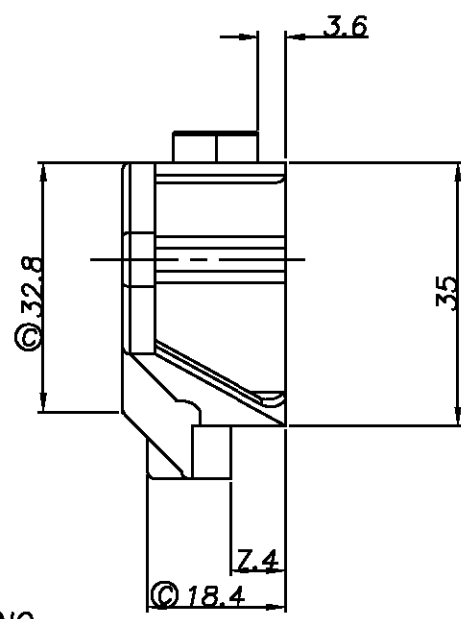
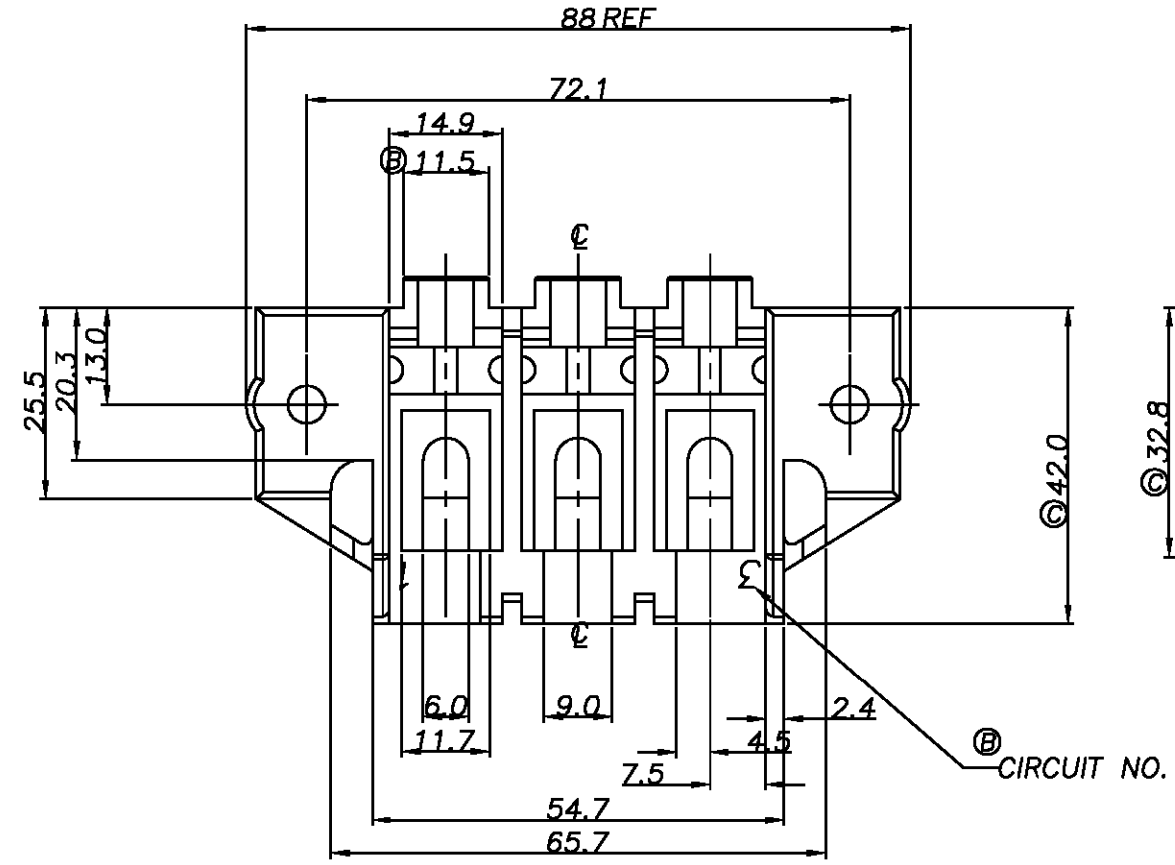


| LOC | DIST | REVISIONS | | | | | |
|-----|------|-----------|-----|--------------------------|-----------|-----|------|
| | | P | LTR | DESCRIPTION | DATE | JWN | APVD |
| DS | | | C | REVISED PER FC00-0313-04 | DEC.03'04 | BH | CS |



NOTES

- 1.MATERIAL: PHENOLIC
- 2.GENERAL TOLERANCES: $\pm 0.3, \pm 3'$
- 3.CAVITY MARK SHALL BE LOCATED APPROX. AS SHOWN.
- 4.APPLICABLE CONTACT P/N : 521665-2



| | | |
|----------|-------|-----------|
| PHENOLIC | BLACK | 1743067-1 |
| MATERIAL | COLOR | P/N |

| | | | | | |
|--|--|--|--|--|--------------|
| <small>THIS DRAWING IS A CONTROLLED DOCUMENT FOR TYCO ELECTRONICS CORPORATION. IT IS SUBJECT TO CHANGE AND THE CONTROLLING ENGINEERING ORGANIZATION SHOULD BE CONTACTED FOR THE LATEST REVISION.</small> | | DVN :BH CHO CHK:BW KANG APVD :CS LEE PRODUCT SPEC APPLICATION SPEC WEIGHT | | tyco Electronics AMP KOREA. kyungsan, korea | |
| DIMENSIONS: MM TOLERANCES UNLESS OTHERWISE SPECIFIED ANGLES FINISH SEE NOTE | | 3rd ANGLE PROJECTION | | NAME Terminal Block for Dryer SIZE CAGE CODE DRAWING NO RESTRICTED TO A3 00779 C= 1743067 | |
| | | | | SCALE 1/1 | SHEET 1 OF 1 |
| | | | | REV C | |