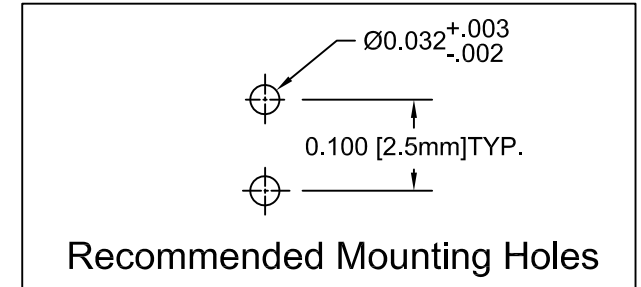
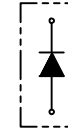
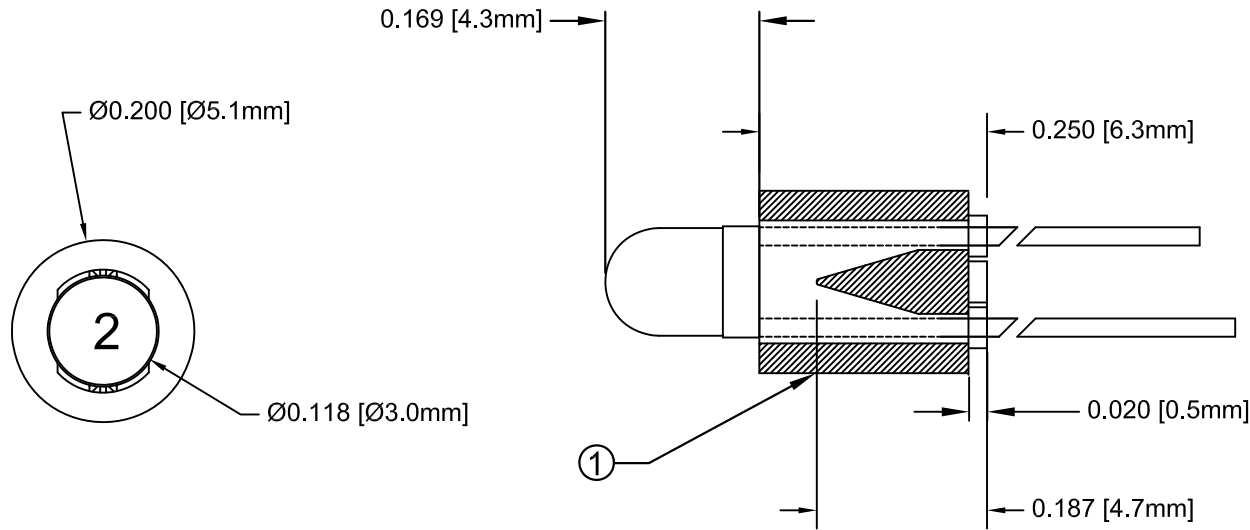


ITEM	Q'TY	PART NUMBER	PART DESCRIPTION
1	1	LTM-250	Molded, Self-Retaining LED Mount
2	1	3HTL-S	T-1 (3mm) N-Flange LED, Low Current



REV.	DESCRIPTION	DATE	APPROVED
A	Engineering Release.	08/23/05	M. C.
B	Updated LED Dimensions.	11/10/06	M. C.
C	Added -S to 3HTL in BOM and Table	12/19/12	T. Y.



LED Part No.	Chip			Lens Appearance	Absolute Maximum Ratings				Electro-Optical Data @ 2mA			Viewing Angle (Deg)
	Material	Peak Wave Length λ_p (nm)	Emitted Color		$\Delta\lambda$ (nm)	Pd (mW)	If (mA)	Peak If (mA)	Vf (V)		Iv (mcd)	
									Typ.	Max.	Typ.	
3HTL-S	GaAsP/GaP	635	HE RED	TINTED	45	10	5	-	1.8	2.2	6.5	30

ABSOLUTE MAXIMUM RATINGS (Ta = 25°C)

REVERSE VOLTAGE _____ 5V
 REVERSE CURRENT (VR=5V) _____ 100µA
 OPERATING TEMPERATURE RANGE _____ -25°C ~ 85°C
 STORAGE TEMPERATURE _____ -30°C ~ 100°C
 LEAD SOLDERING TEMPERATURE (1/16" FROM BODY) _____ 260°C for 5 Seconds

STANDARD TOLERANCE (UNLESS OTHERWISE SPECIFIED)		 BIVAR [®] 4 THOMAS, IRVINE, CA. 92618 TEL: (949) 951-8808 FAX: (949) 951-3974	
DECIMALS	ANGULAR		
.X ± .1	X° ± 1°	 TITLE: Molded Self-Retaining LED Mount Assy	
.XX ± .02			
.XXX ± .010			
DESIGNED: Sonny Dam	DATE: 08/23/05	PART NO: LTM2503HTL	REVISION: C
CHECKED: T. Yin	DATE: 08/23/05	CAGE CODE : 32559	SHEET # 1 OF 1
CAD GENERATED DOCUMENT, DO NOT MEASURE DRAWING.			