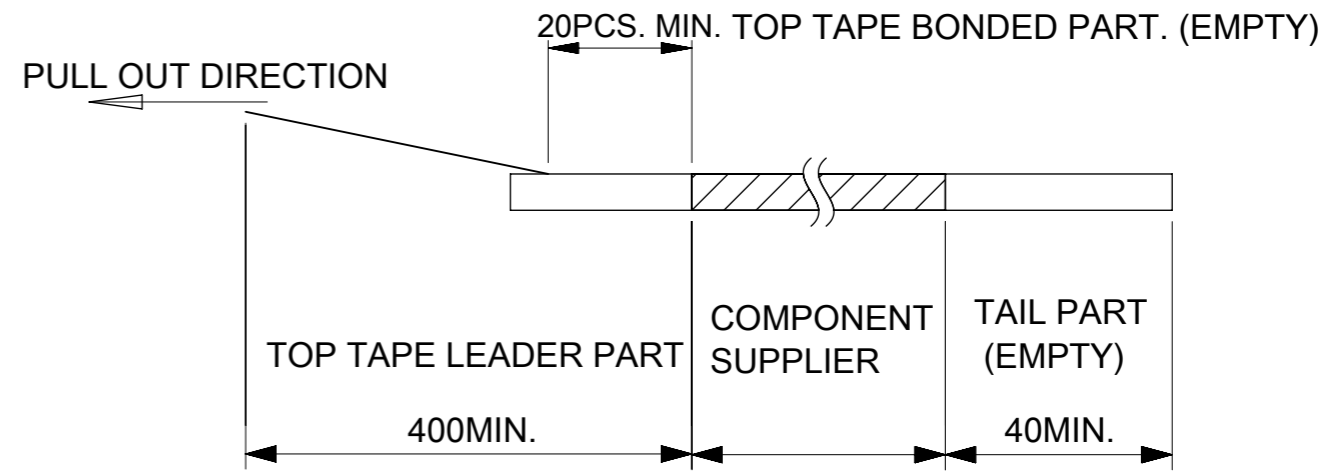
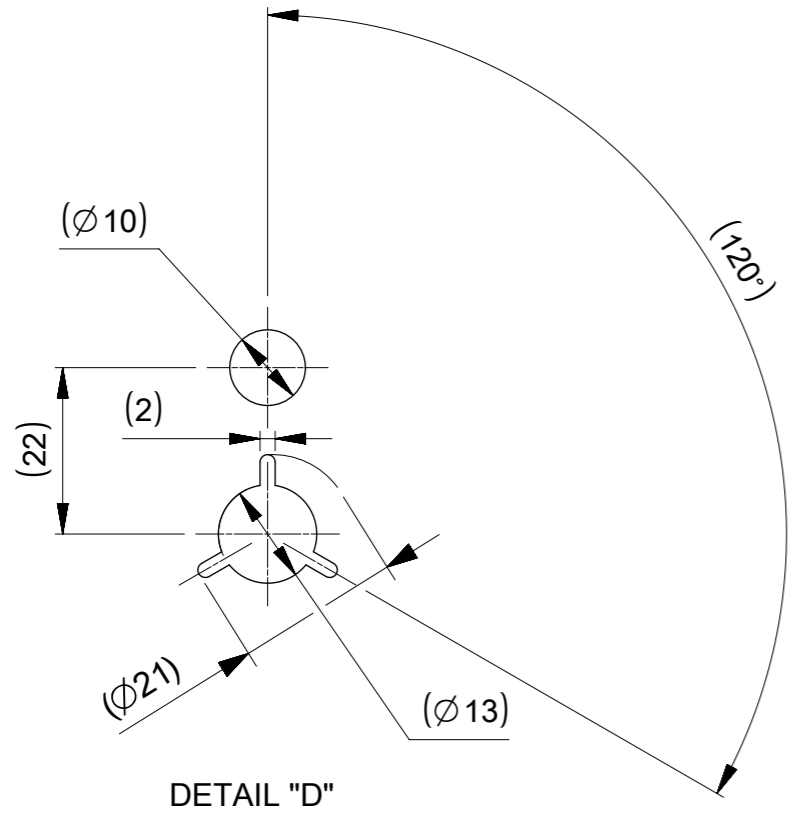
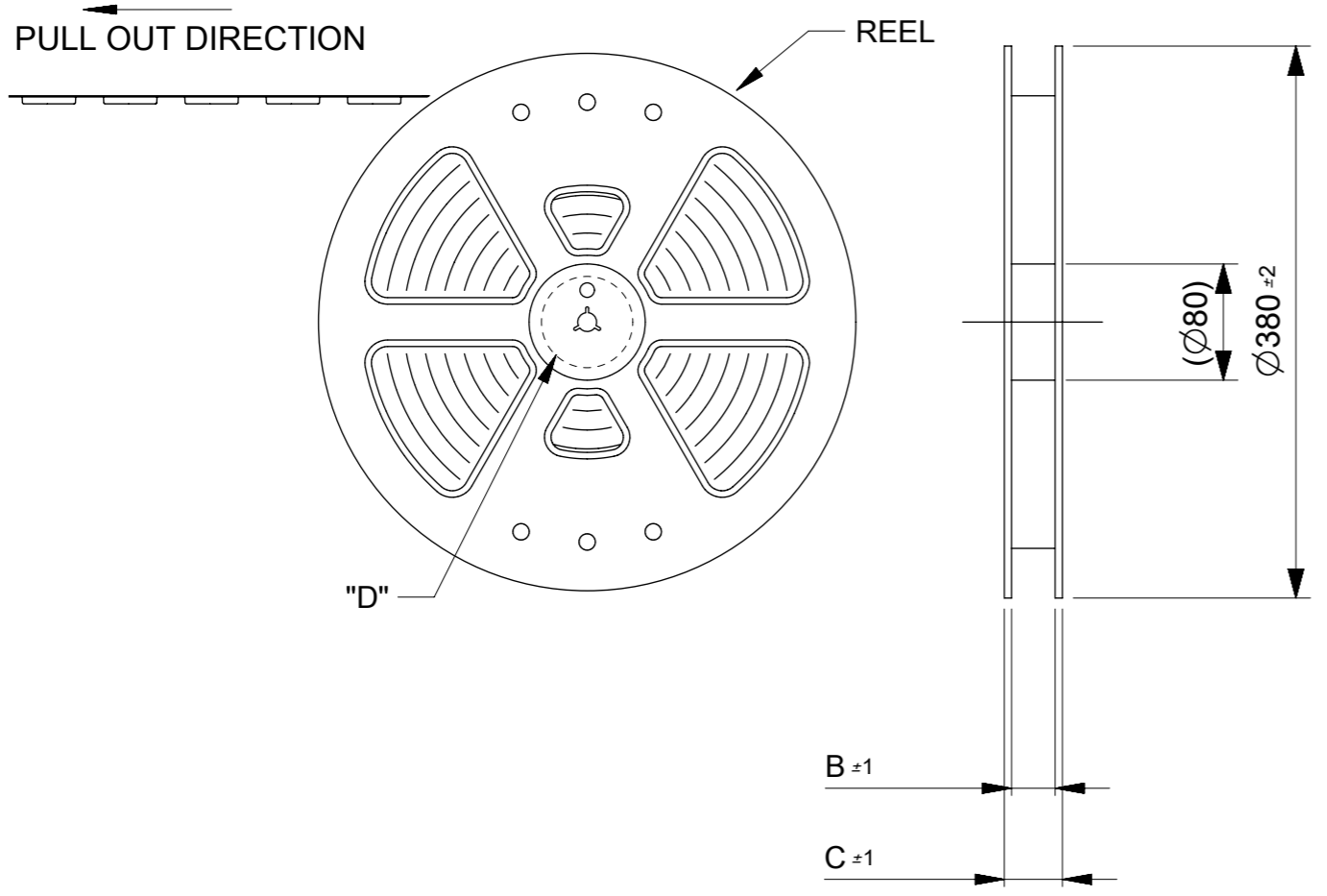


NOTES

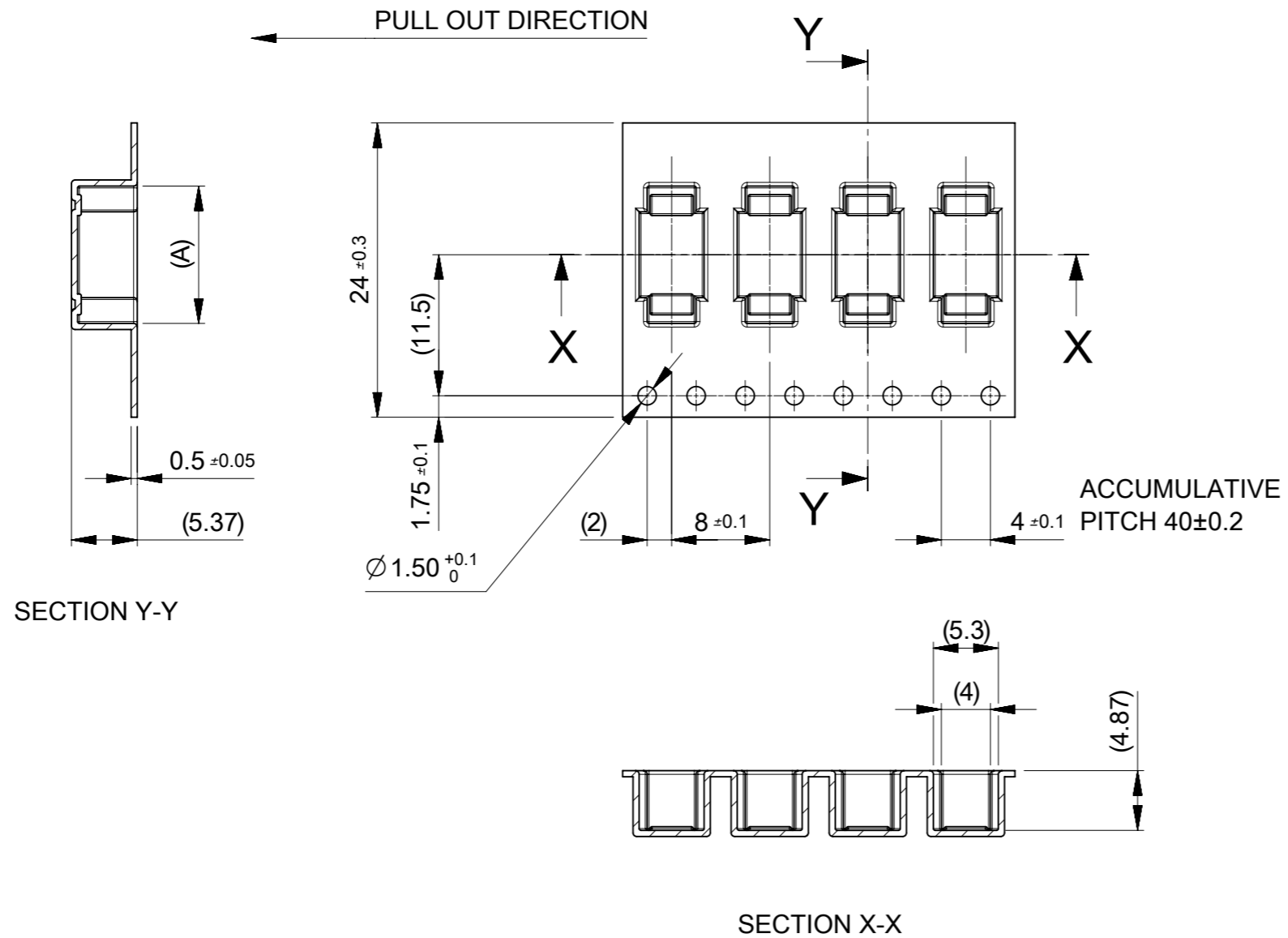
1. DETAIL DIMENSION, SEE PRODUCT DRAWING.
2. NUMBER OF CONNECTORS : 2200 PCS/REEL.
NUMBER OF DELIVERY UNIT : 20~50 CKT. 6600 PCS/CARTON.
60 CKT. 4400 PCS/CARTON.
3. LEAD TAPE LENGTH.



4. TOP TAPE PEEL FORCE IS DEFINED BY IEC60286-3
5. MATERIAL
CARRER TAPE :POLYSTYRENE
TOP TAPE :PET , OTHER
REEL :POLYSTYRENE(PS)(RECYCLE MATERIAL CONTAINED)
6. ELV AND RoHS COMPLIANT



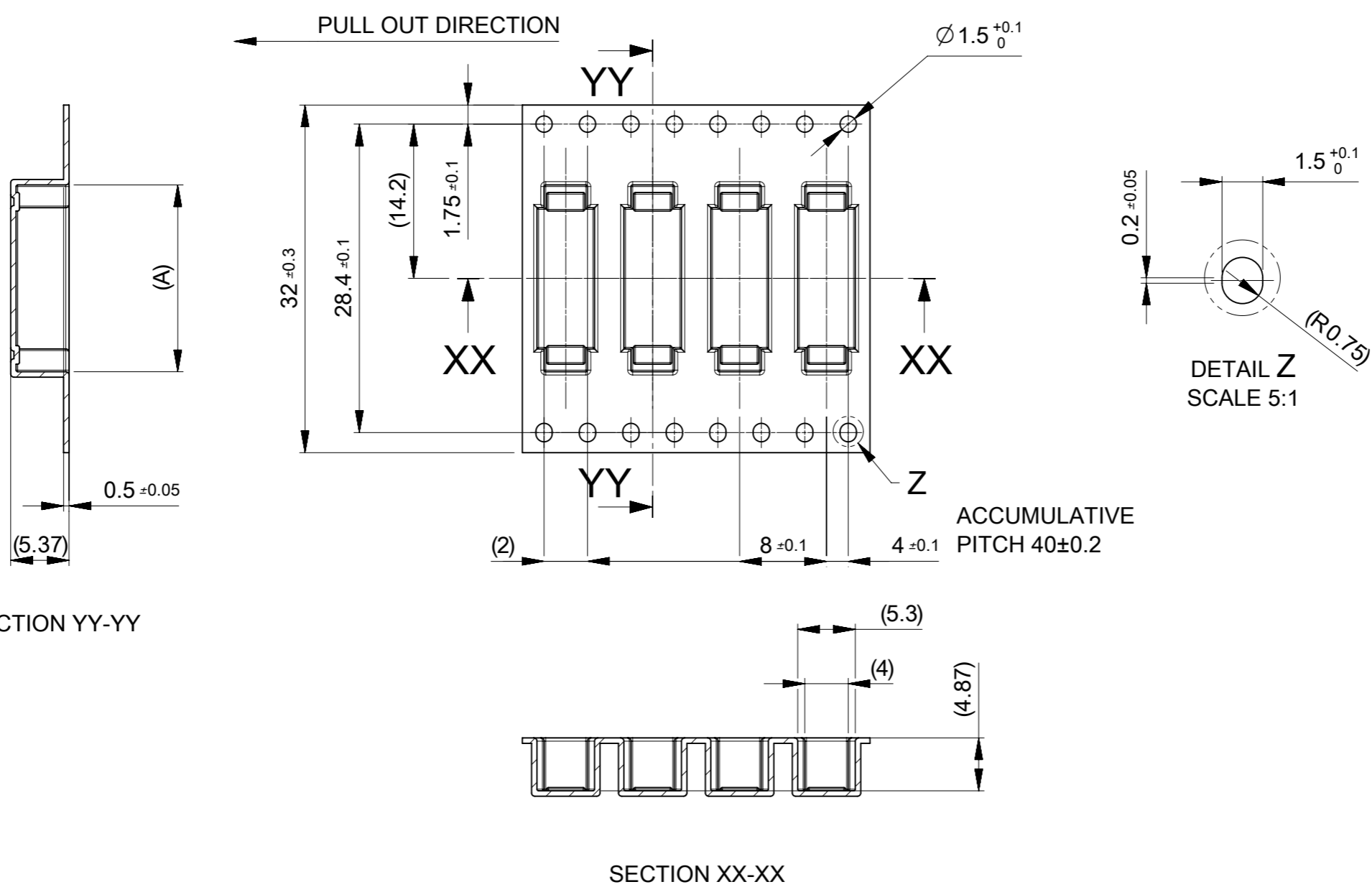
THIS DRAWING CONTAINS INFORMATION THAT IS PROPRIETARY TO MOLEX ELECTRONIC TECHNOLOGIES, LLC AND SHOULD NOT BE USED WITHOUT WRITTEN PERMISSION									
DIMENSION UNITS	SCALE	CURRENT REV DESC:					molex		
mm	2:1								
GENERAL TOLERANCES (UNLESS SPECIFIED)		EC NO: 623405					0.4 FLOATING BB H=5 PLUG EMBOSSTP PKG.		
ANGULAR TOL	± °	DRWN: JFURUKAWA 2019/09/02					PRODUCT CUSTOMER DRAWING		
4 PLACES	±	CHK'D: YNAITO 2019/09/18					DOCUMENT NUMBER		
3 PLACES	±	APPR: RTAKEUCHI 2019/09/18					2039560000		
2 PLACES	±	INITIAL REVISION:					DOC TYPE	DOC PART	REVISION
1 PLACE	±	DRWN: YSEKI01 2019/07/10					PSD	002	B
0 PLACES	±	APPR: RTAKEUCHI 2019/07/16					SHEET NUMBER		
DRAFT WHERE APPLICABLE MUST REMAIN WITHIN DIMENSIONS		THIRD ANGLE PROJECTION	DRAWING	SERIES	MATERIAL NUMBER	CUSTOMER		SHEET NUMBER	
			A3-SIZE	203956	SEE CHART	GENERAL		1 OF 3	



24	29.4	25.4	15.2	2039560502	2039560503	○	---	50
			13.2	2039560402	2039560403	○	---	40
			11.2	2039560302	2039560303	○	---	30
			9.2	2039560202	2039560203	○	---	20
キャリアテープ幅 CARRIER TAPE WIDTH	C	B	(A)	WITHOUT COVER TAPE	WITH COVER TAPE	HIGH VOL. TOOL	LOW VOL. TOOL	CIRCUIT
				MATERIAL No.		SAMPLE PREPARATION		

THIS DRAWING CONTAINS INFORMATION THAT IS PROPRIETARY TO MOLEX ELECTRONIC TECHNOLOGIES, LLC AND SHOULD NOT BE USED WITHOUT WRITTEN PERMISSION

DIMENSION UNITS mm	SCALE 1:1	CURRENT REV DESC:			molex
GENERAL TOLERANCES (UNLESS SPECIFIED)		EC NO: 623405			
ANGULAR TOL ± °		DRWN: JFURUKAWA	2019/09/02	0.4 FLOATING BB H=5 PLUG EMBOSSTP PKG.	
4 PLACES ±		CHK'D: YNAITO	2019/09/18	PRODUCT CUSTOMER DRAWING	
3 PLACES ±		APPR: RTAKEUCHI	2019/09/18	DOCUMENT NUMBER	
2 PLACES ±		INITIAL REVISION:		2039560000	DOC TYPE
1 PLACE ±		DRWN: YSEKI01	2019/07/10	PSD	DOC PART
0 PLACES ±		APPR: RTAKEUCHI	2019/07/16	002	REVISION
DRAFT WHERE APPLICABLE MUST REMAIN WITHIN DIMENSIONS	THIRD ANGLE PROJECTION	DRAWING	SERIES	MATERIAL NUMBER	CUSTOMER
		A3-SIZE	203956	SEE CHART	GENERAL
					SHEET NUMBER
					2 OF 3



SECTION YY-YY

SECTION XX-XX

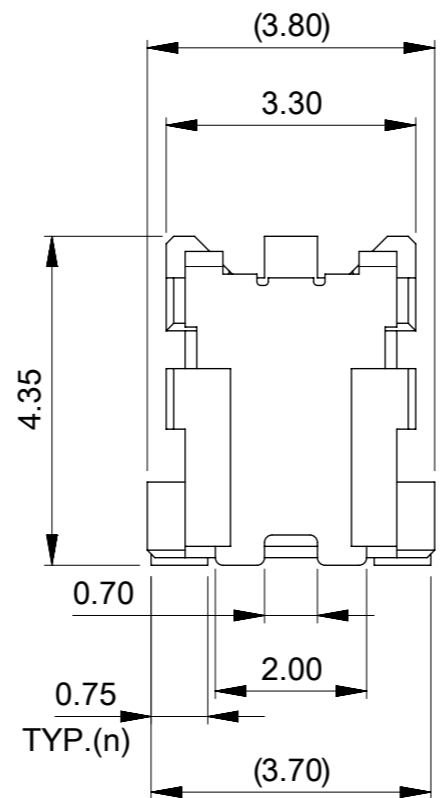
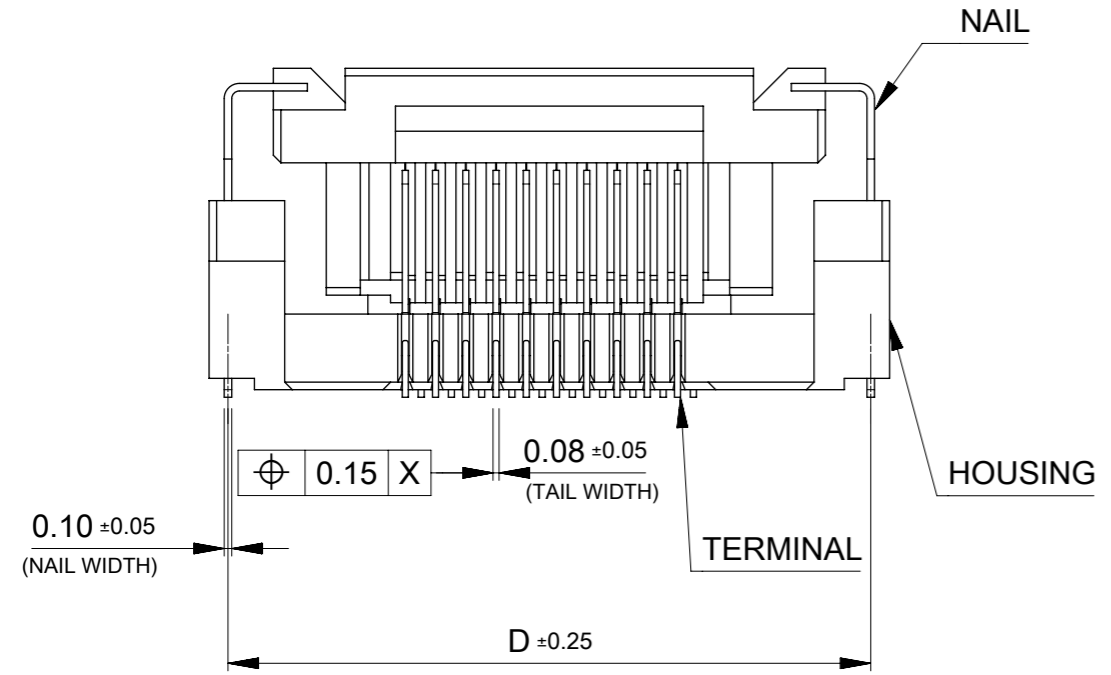
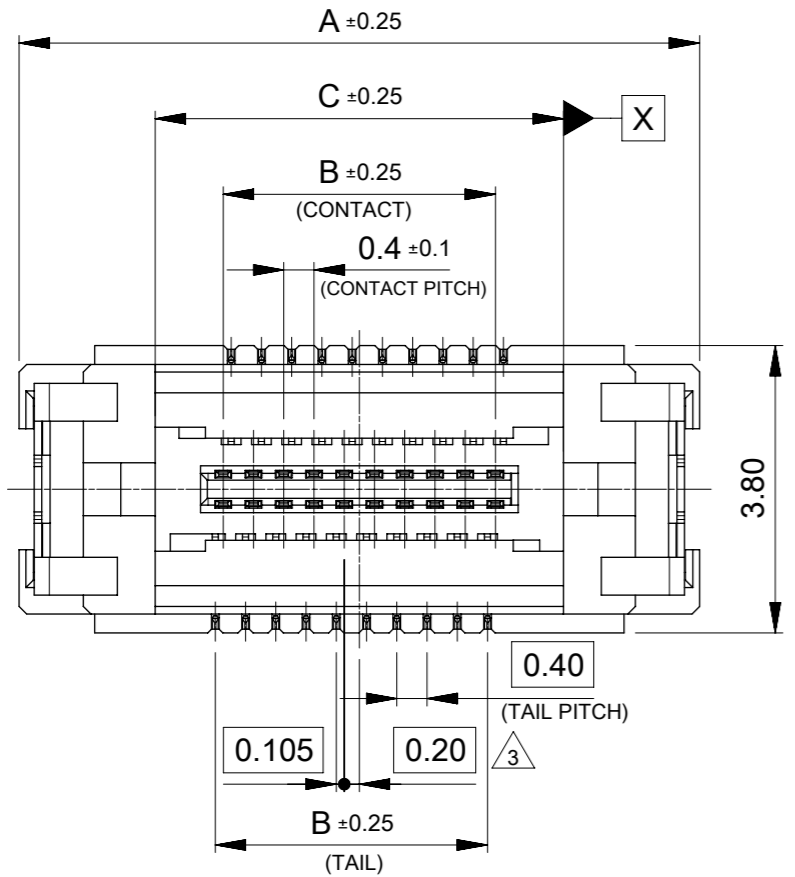
DETAIL Z
SCALE 5:1

ACCUMULATIVE
PITCH 40±0.2

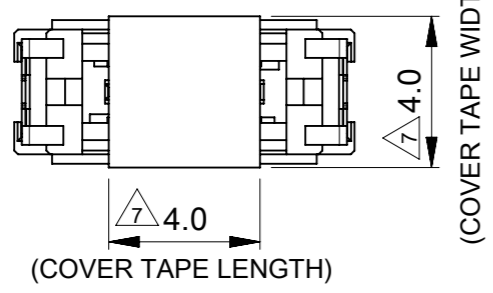
32	37.4	33.4	17.2	2039560602	2039560603	○	---	60
キャリアテープ幅 CARRIER TAPE WIDTH	C	B	(A)	WITHOUT COVER TAPE	WITH COVER TAPE	HIGH VOL. TOOL	LOW VOL. TOOL	CIRCUIT
MATERIAL No.						SAMPLE PREPARATION		

THIS DRAWING CONTAINS INFORMATION THAT IS PROPRIETARY TO MOLEX ELECTRONIC TECHNOLOGIES, LLC AND SHOULD NOT BE USED WITHOUT WRITTEN PERMISSION

DIMENSION UNITS mm	SCALE 2:1	CURRENT REV DESC:			molex		
GENERAL TOLERANCES (UNLESS SPECIFIED)		EC NO: 623405					
ANGULAR TOL ± °		DRWN: JFURUKAWA 2019/09/02			PRODUCT CUSTOMER DRAWING		
4 PLACES ±		CHK'D: YNAITO 2019/09/18			DOCUMENT NUMBER		
3 PLACES ±		APPR: RTAKEUCHI 2019/09/18			2039560000		
2 PLACES ±		INITIAL REVISION:			DOC TYPE		
1 PLACE ±		DRWN: YSEKI01 2019/07/10			PSD		
0 PLACES ±		APPR: RTAKEUCHI 2019/07/16			DOC PART		
DRAFT WHERE APPLICABLE MUST REMAIN WITHIN DIMENSIONS	THIRD ANGLE PROJECTION	DRAWING	SERIES	MATERIAL NUMBER	CUSTOMER	REVISION	
		A3-SIZE	203956	SEE CHART	GENERAL	002	B
							SHEET NUMBER 3 OF 3



COVER TAPE LAYOUT



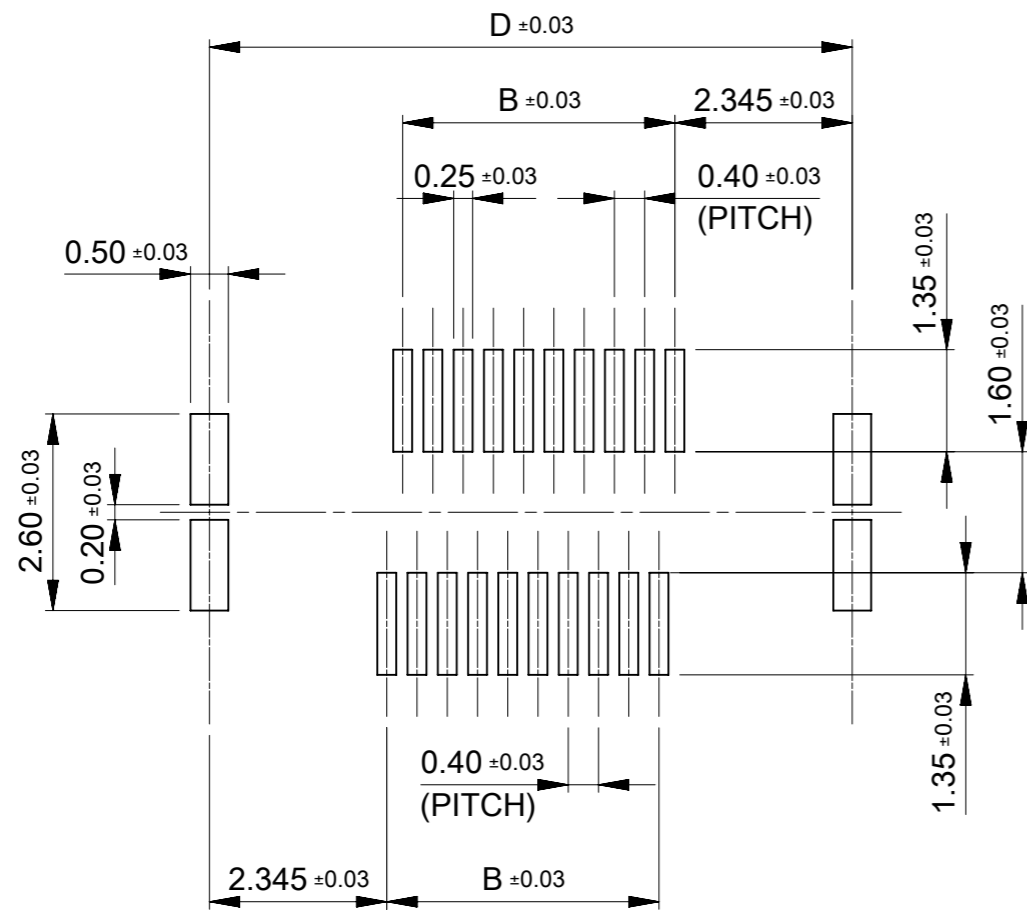
- 1 MATERIAL
 WAFER: LIQUID CRYSTAL POLYMER UL94V-0 (COLOR : BLACK)
 TERMINAL: COPPER ALLOY
 FITTING NAIL: COPPER ALLOY
 COVER TAPE: POLYIMIDE
- 2 PLATING
 TERMINAL :
 CONTACT AREA: GOLD PLATING.
 SOLDER TAIL AREA: GOLD PLATING.
 UNDERPLATE: NICKEL OVERALL.
 FITTING NAIL:
 SURFACE: TIN OVERALL
 UNDERPLATE: NICKEL OVERALL.
- △ 3 APPLY FOR (CIRCUIT/2)=EVEN.
- 4 MATE WITH : 203955****
- 5 TAIL COPLANARITY TO BE 0.1 MAXIMUM.
- 6 ELV and RoHS COMPLIANT.
- △ 7 ALL CIRCUIT IS COMMON LENGTH.

16.5	13.4	11.6	17	2039560602	2039560603	○	---	60
14.5	11.4	9.6	15	2039560502	2039560503	○	---	50
12.5	9.4	7.6	13	2039560402	2039560403	○	---	40
10.5	7.4	5.6	11	2039560302	2039560303	○	---	30
8.5	5.4	3.6	9	2039560202	2039560203	○	---	20
D	C	B	A	WITHOUT COVER TAPE	WITH COVER TAPE	HIGH VOL. TOOL	LOW VOL. TOOL	CIRCUIT
EMBOSSED TAPE PACKAGE ORDER NO.						SAMPLE PREPARATION ○ : TOOLED △ : WORK IN PROCESS ---: TOOLING TO BE CONFIRMED		

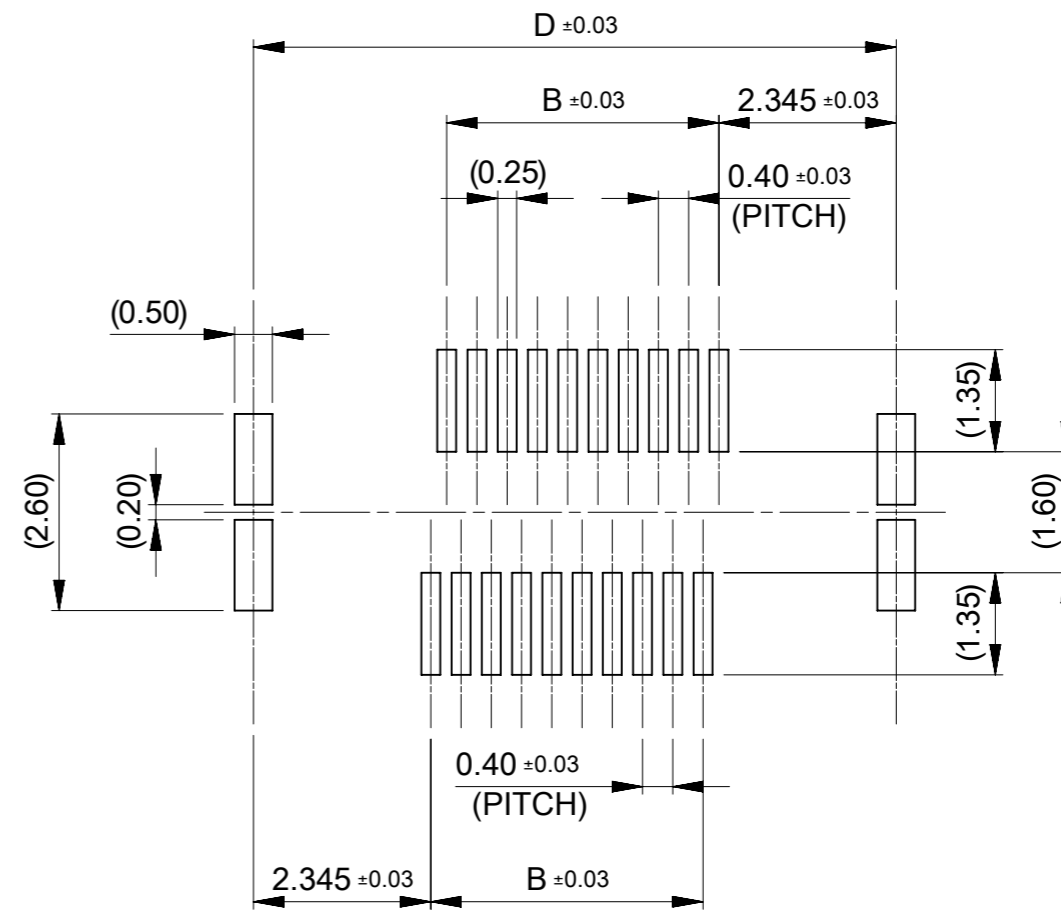
CONNECTOR SERIES NO. : 2039561**1 (WITH COVER TAPE)
 2039561**2 (WITHOUT COVER TAPE)

THIS DRAWING CONTAINS INFORMATION THAT IS PROPRIETARY TO MOLEX ELECTRONIC TECHNOLOGIES, LLC AND SHOULD NOT BE USED WITHOUT WRITTEN PERMISSION

DIMENSION UNITS mm	SCALE 10:1	CURRENT REV DESC:		molex				
GENERAL TOLERANCES (UNLESS SPECIFIED)		EC NO: 694599						0.4 FLOATING BB CONN.H=5 PLUG ASSY
ANGULAR TOL ± 1.0°	4 PLACES ± 0.2	DRWN: JFURUKAWA 2022/02/04		PRODUCT CUSTOMER DRAWING				
3 PLACES ± 0.2	2 PLACES ± 0.2	CHK'D: YMATSUMOTO 2022/02/09		DOCUMENT NUMBER				
1 PLACE ± 0.2	0 PLACES ± 0.2	APPR: SHOSHIKAWA 2022/02/09		2039561000-SD		PSD	000	D
DRAFT WHERE APPLICABLE MUST REMAIN WITHIN DIMENSIONS		THIRD ANGLE PROJECTION	DRAWING A3-SIZE	SERIES 203956	MATERIAL NUMBER	CUSTOMER GENERAL	SHEET NUMBER 1 OF 2	



RECOMMENDED P.W.BOARD PATTERN LAYOUT(REFERENCE)



RECOMMENDED METAL MASK LAYOUT(REFERENCE)

RECOMMENDED THICKNESS OF METAL MASK : t=0.1mm

RECOMMENDED OPEN APERTURE RATIO OF METAL MASK : 100%

THIS DRAWING CONTAINS INFORMATION THAT IS PROPRIETARY TO MOLEX ELECTRONIC TECHNOLOGIES, LLC AND SHOULD NOT BE USED WITHOUT WRITTEN PERMISSION										
DIMENSION UNITS	SCALE	CURRENT REV DESC:								
mm	10:1									
GENERAL TOLERANCES (UNLESS SPECIFIED)							0.4 FLOATING BB CONN.H=5 PLUG ASSY			
ANGULAR TOL ± 1.0 °							PRODUCT CUSTOMER DRAWING			
4 PLACES	± 0.2	EC NO: 694599								
3 PLACES	± 0.2	DRWN: JFURUKAWA	2022/02/04							
2 PLACES	± 0.2	CHK'D: YMATSUMOTO	2022/02/09							
1 PLACE	± 0.2	APPR: SHOSHIKAWA	2022/02/09							
0 PLACES	± 0.2	INITIAL REVISION:				DOCUMENT NUMBER		DOC TYPE	DOC PART	REVISION
DRAFT WHERE APPLICABLE MUST REMAIN WITHIN DIMENSIONS		THIRD ANGLE PROJECTION	DRAWING	SERIES	MATERIAL NUMBER	CUSTOMER	SHEET NUMBER			
			A3-SIZE	203956	2039561000-SD	GENERAL	2 OF 2			