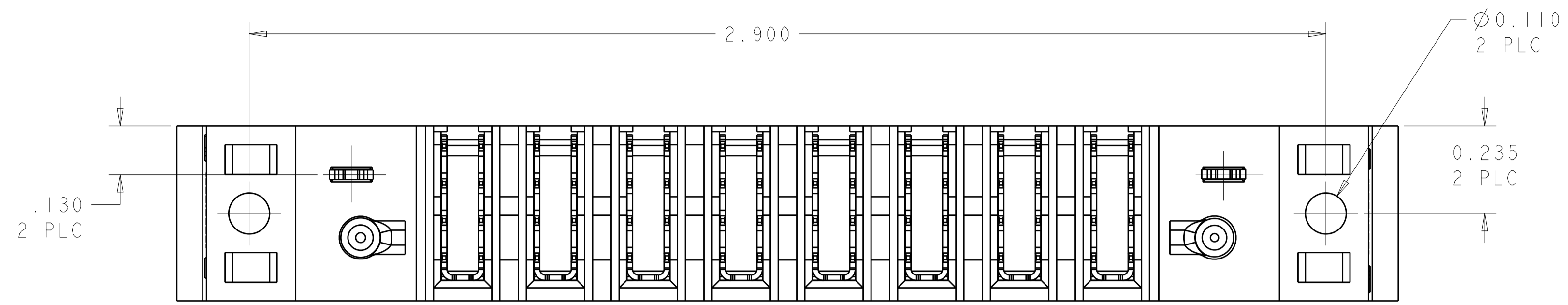
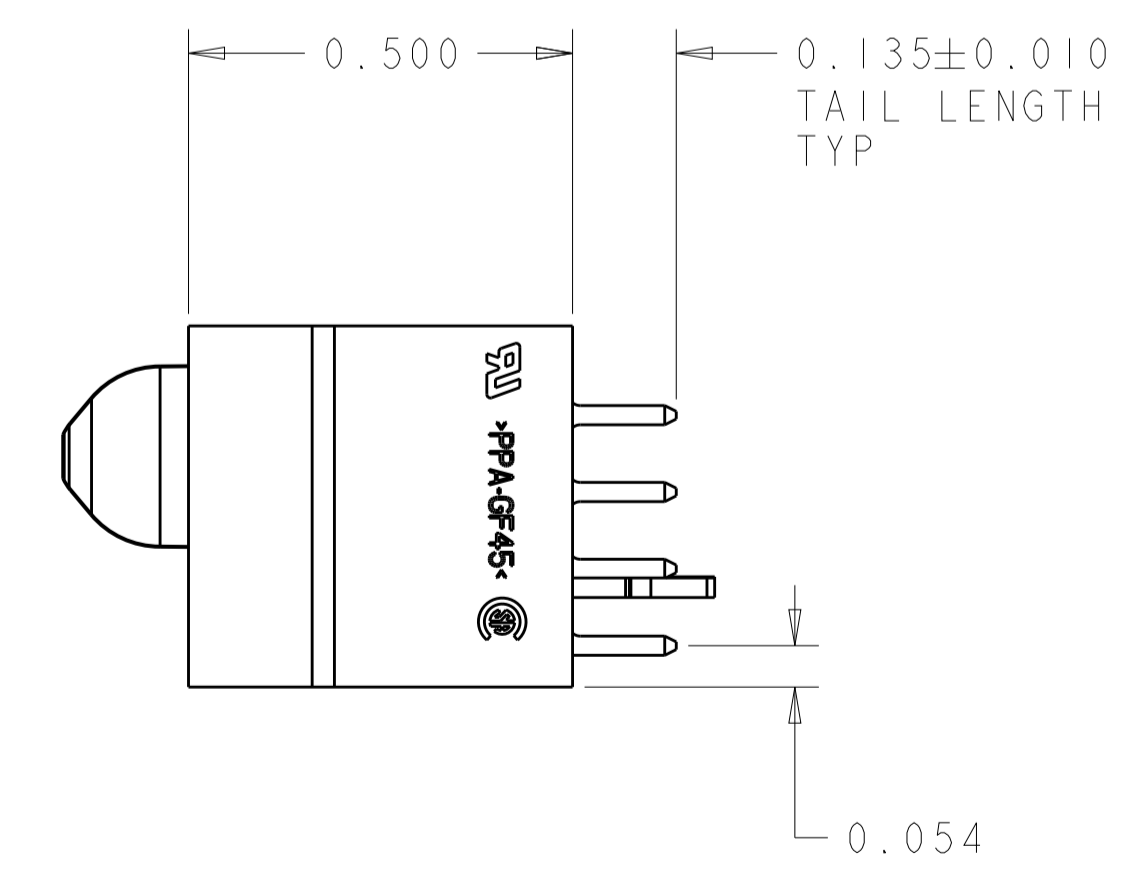
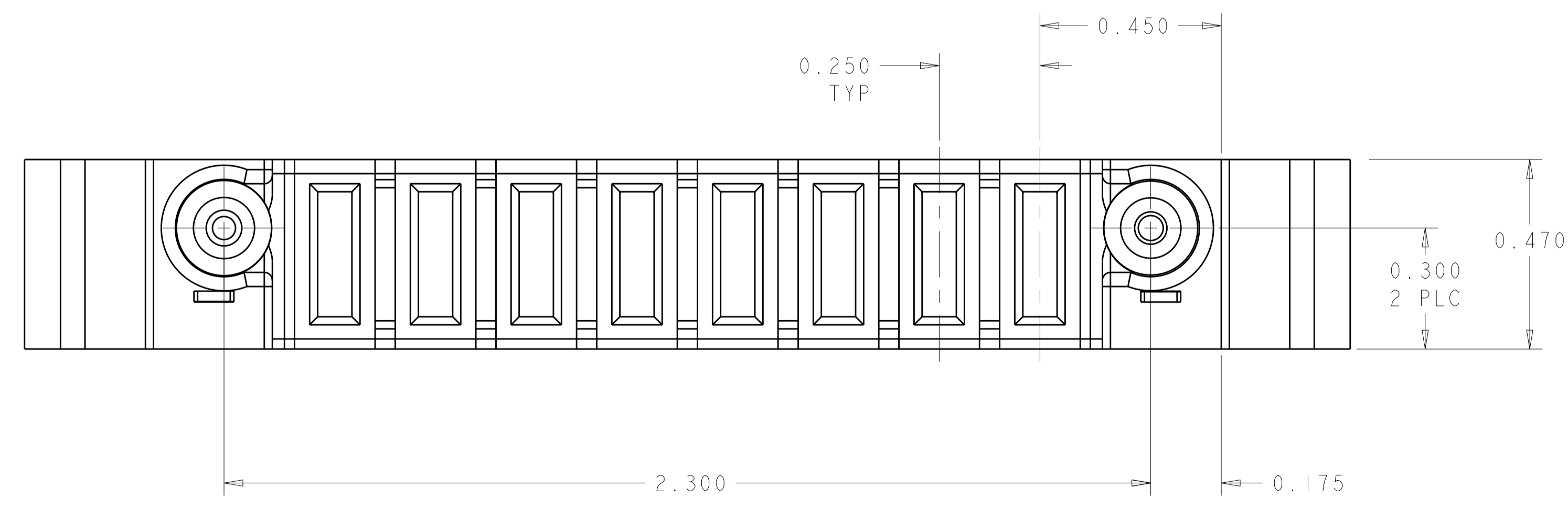
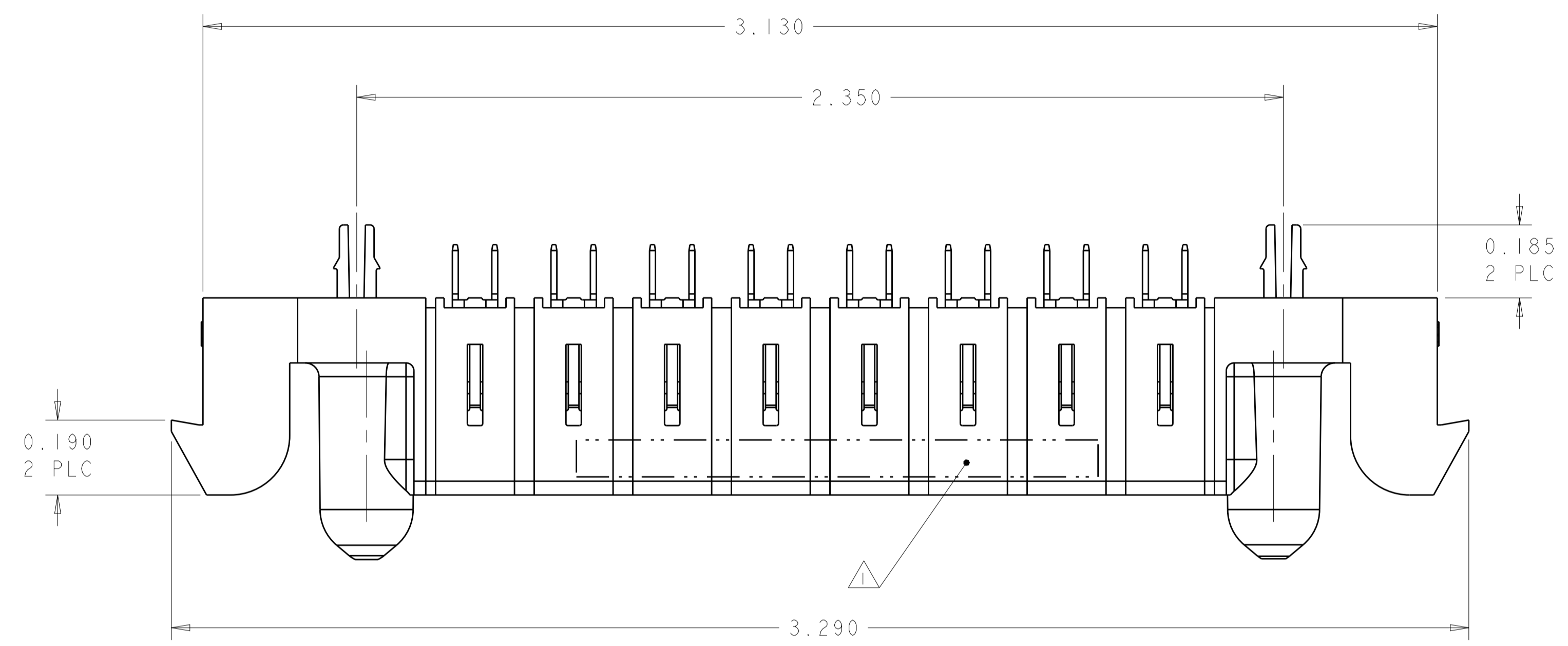


LOC	DIST	REVISIONS			
P	LTN	DESCRIPTION	DATE	DMN	APVD
GP	00	A1 ADVISED	15FEB2013	ML	SZ



- 1 "AMP", PART NUMBER AND DATE CODE TO BE MARKED IN AREA SHOWN
- 2 MATERIAL: HOUSING - GLASS FILLED HIGH TEMP THERMO PLASTIC, UL94 V-0
POWER CONTACT - HIGH CONDUCTIVITY COPPER ALLOY
- 3 CONTACT PLATING: NOBLE METAL PLATING ON CONTACT FUNCTIONAL AREA OF POWER AND SIGNAL CONTACTS
- 4 MECHANICAL CONNECTOR KEEP OUT ZONE. WHEN PLACING CONNECTORS END TO END, ALLOW ADDITIONAL 0.5 CLEARANCE BETWEEN CONNECTORS FOR LATCH ACTIVATION.
- 5 DATUM AND BASIC DIMENSIONS ESTABLISHED BY CUSTOMER
- 6 PCB - ALL HOLE DIMENSIONS ARE FINISHED HOLE SIZES
- 7 PCB - .0453 ±.0010 DRILLED HOLES, PLATED WITH .0003 MIN SN OVER .001 TO .003 CU PLATING TO ACHIEVE A .040 DIA HOLE
- 8. RECOMMEND USING TWO CUSTOMER SUPPLIED SCREWS TO SECURE TO BOARD: 5-20 X .38 LG, SELF-TAPPING, HI-LO TYPE, CROSS RECESSED PAN HD. OR TYCO ENGINEERING APPROVED EQUIVALENT.



8P	6450159-1
DESCRIPTION	PART NUMBER

THIS DRAWING IS A CONTROLLED DOCUMENT.

DIMENSIONS:	TOLERANCES UNLESS OTHERWISE SPECIFIED:	OWN: R. GRZYBOWSKI 21FEB05	CHK: M. PERCHERKE 21FEB05
INCHES	0 PLC ±.01 1 PLC ±.01 2 PLC ±.01 3 PLC ±.005 4 PLC ±.002 ANGLES ±.020	APVD: M. PERCHERKE	NAME: M. PERCHERKE
MATERIAL	FINISH	PRODUCT SPEC: 108-1973	APPLICATION SPEC: 114-13038
		WEIGHT: -	RESTRICTED TO: -

Customer Drawing

SCALE: 4:1 SHEET 1 OF 2 REV: A1

