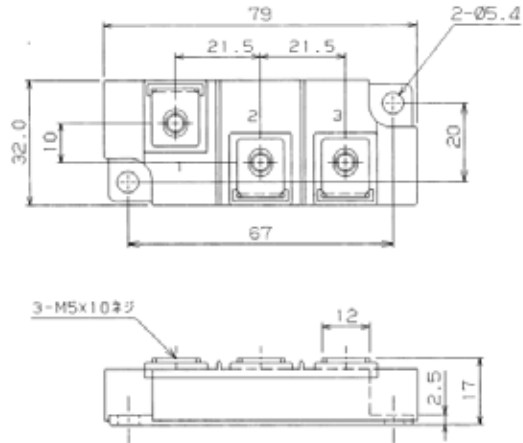
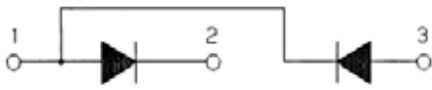


1. 1. 2te / 4TT | njrq

NB1.1 L/4

1 2 3

2 3 4



Bgkcl qgrn 8@kk

1 2 3

Parameter	Symbol	Grade		Unit
		PD30KN16		
Repetitive Peak Reverse Voltage	V_{RRM}	1600		V
Non Repetitive Peak Reverse Voltage	V_{RSM}	1700		V

Parameter	Symbol	Conditions	Max. Rated Value	Unit
Average Rectified Output Current	$I_{O(AV)}$	Half Sine Wave, $T_c=125^\circ\text{C}$	30	A
RMS Forward Current	$I_{F(RMS)}$		47	A
Surge Forward Current	I_{FSM}	50Hz Half Sine Wave, 1 Pulse, Non-Repetitive	600	A
I^2t	I^2t	2@10ms	1800	A ² ◆
Operating Junction Temperature Range	T_{jw}		-40 @ +150	°C
Storage Temperature Range	T_{stg}		-40 @ +125	°C
Isolation Voltage	Viso	Terminal to Base, AC 1min.	2500	V
Mounting Torque	×	M5 Greased	2.4 @ 2.8	N(g)m
		M5	2.4 @ 2.8	N(g)m

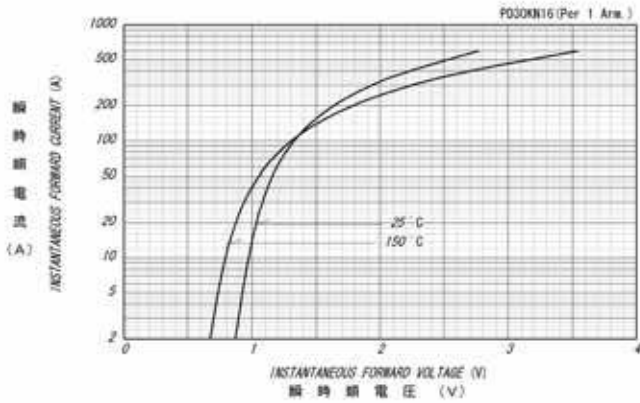
1 2 3

Parameter	Symbol	Conditions	Maximum Value	Unit
Peak Reverse Current	I_{RM}	$T_j=150^\circ\text{C}$ ($V_{RM}=V_{RRM}$)	5	mA
Peak Forward Voltage	V_{FM}	$T_j=25^\circ\text{C}$ ($I_{FM}=90\text{A}$)	1.29	V
Thermal Resistance	$R_{th(j-c)}$	Junction to Case	0.48	°C/W
Thermal Resistance	$R_{th(c-f)}$	Case to Fin, Greased	0.3	°C/W

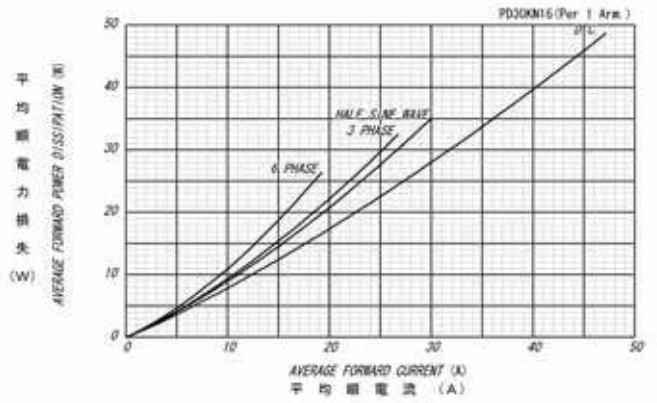
Approximate Weight

*1(h) ① ② ③ Value Per 1 Arm.

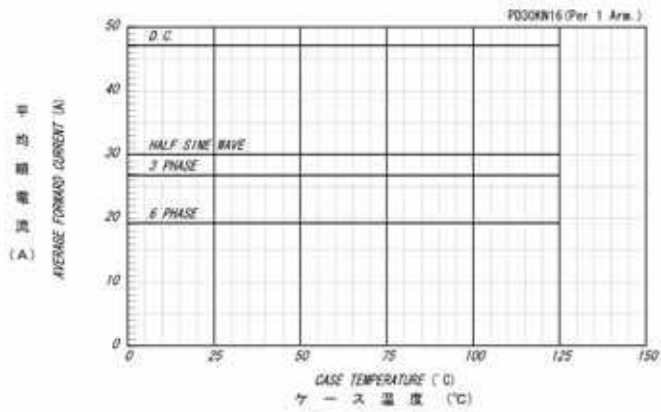
順電圧特性
FORWARD CURRENT VS. VOLTAGE



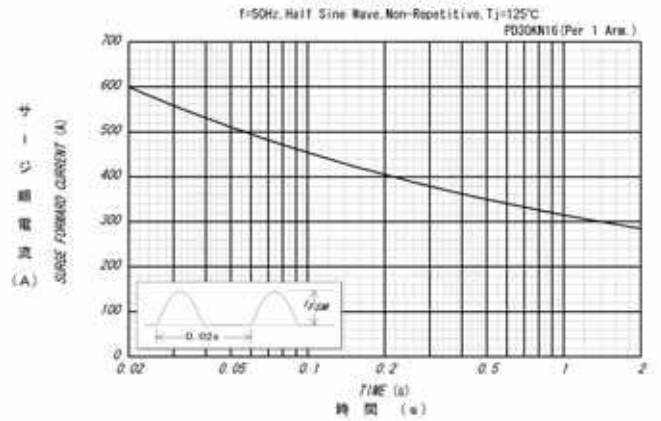
平均順電力損失特性
AVERAGE FORWARD POWER DISSIPATION



平均順電流 - ケース温度定格
AVERAGE FORWARD CURRENT VS. CASE TEMPERATURE



サージ順電流定格
SURGE CURRENT RATINGS



過渡熱抵抗特性
MAXIMUM TRANSIENT THERMAL IMPEDANCE

