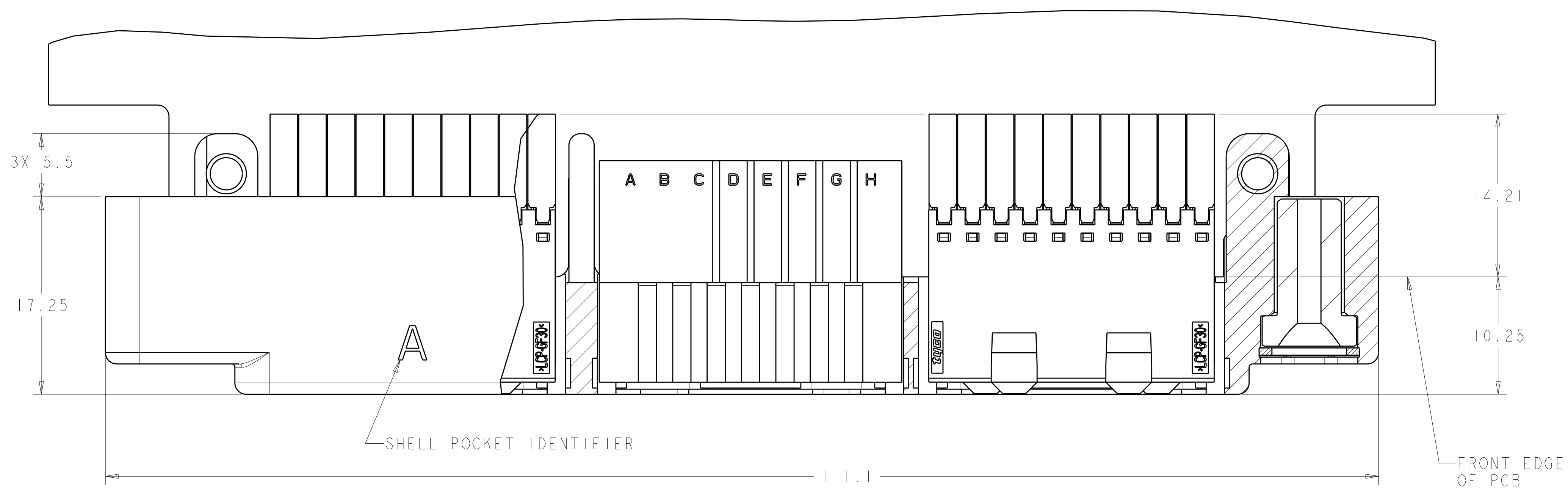
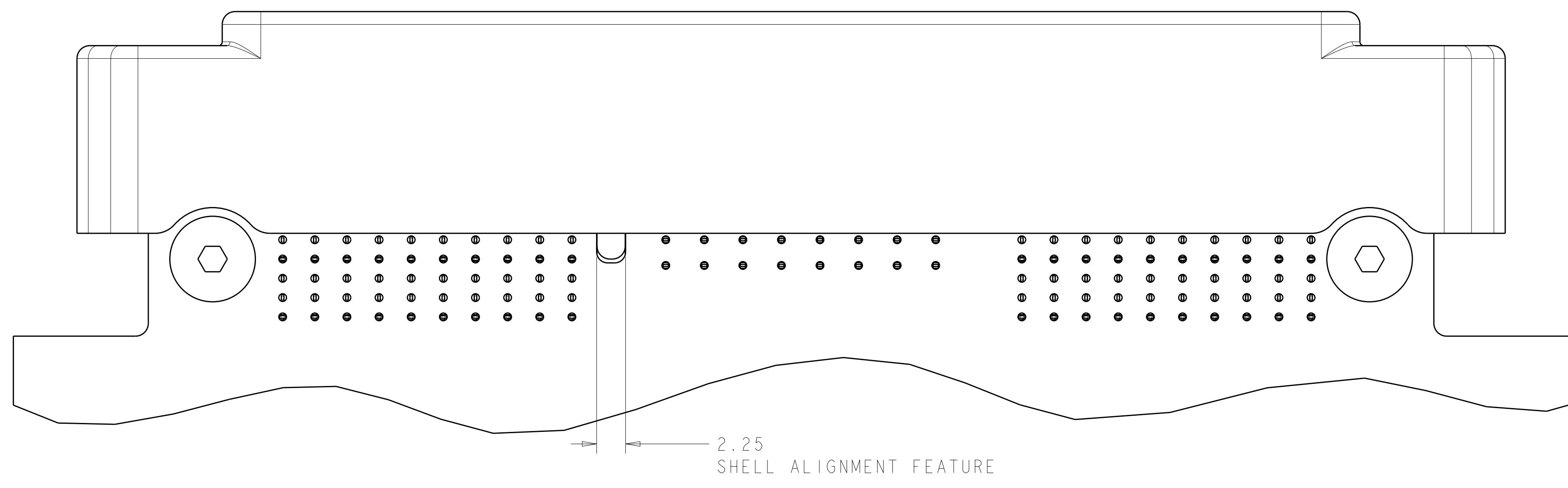
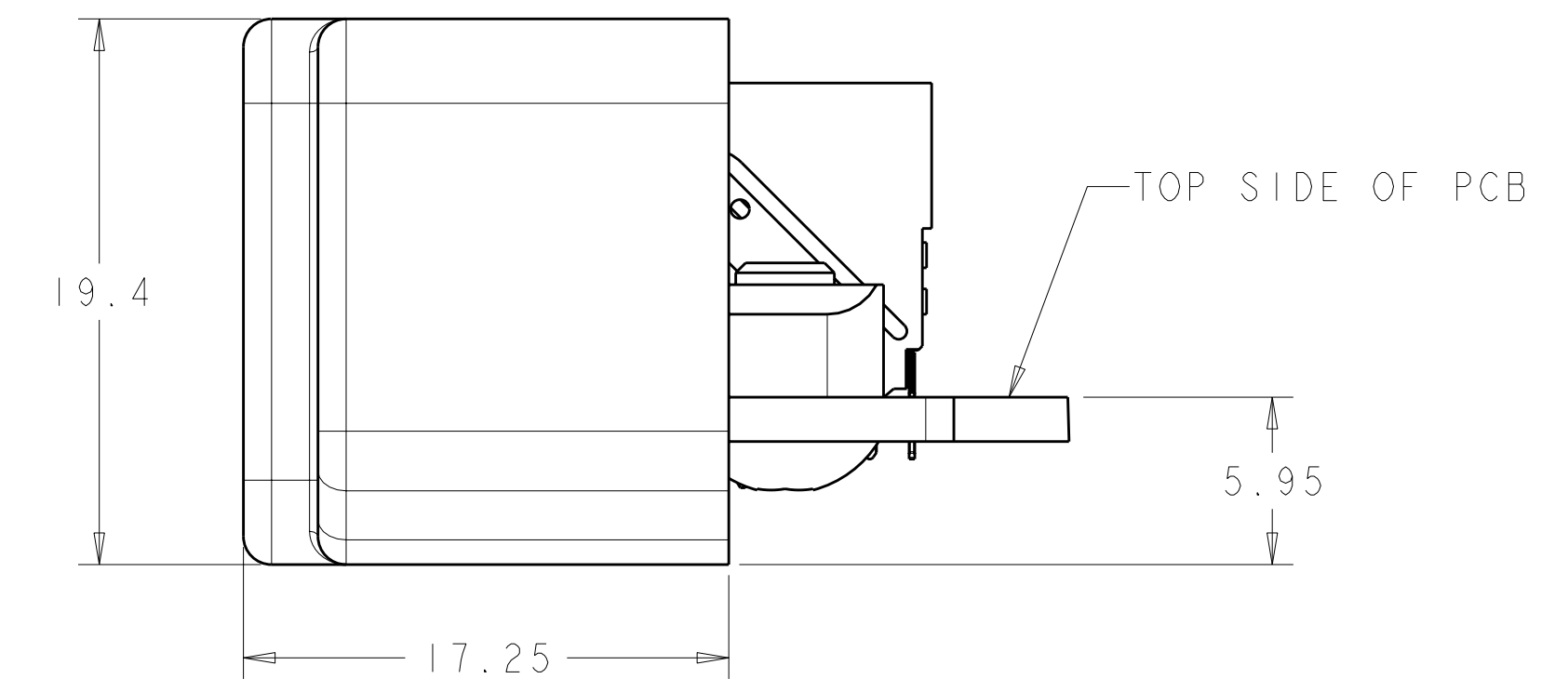
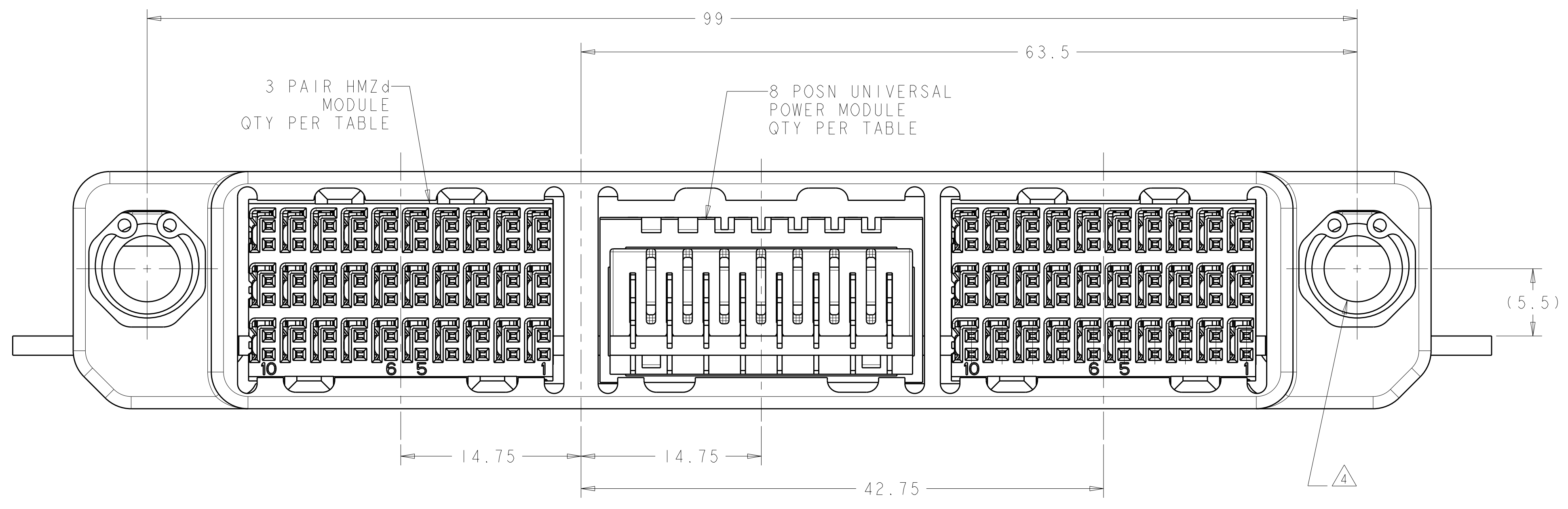


LOC		DIST		REVISIONS			
P	LTB	DESCRIPTION	DATE	DWN	APVD	CT	DH
E		REV PER ECO 11-020857	10-18-11	CT	DH		



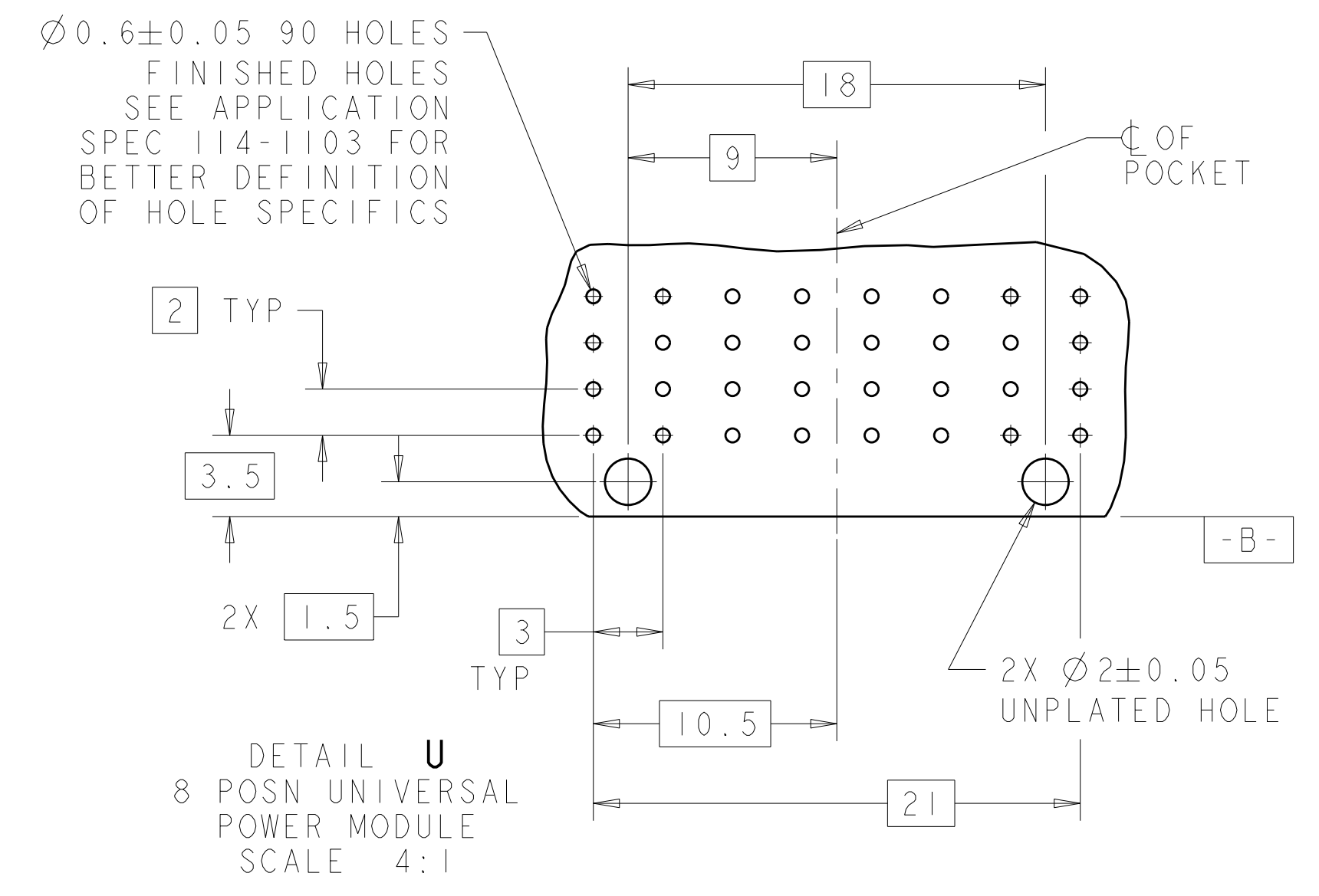
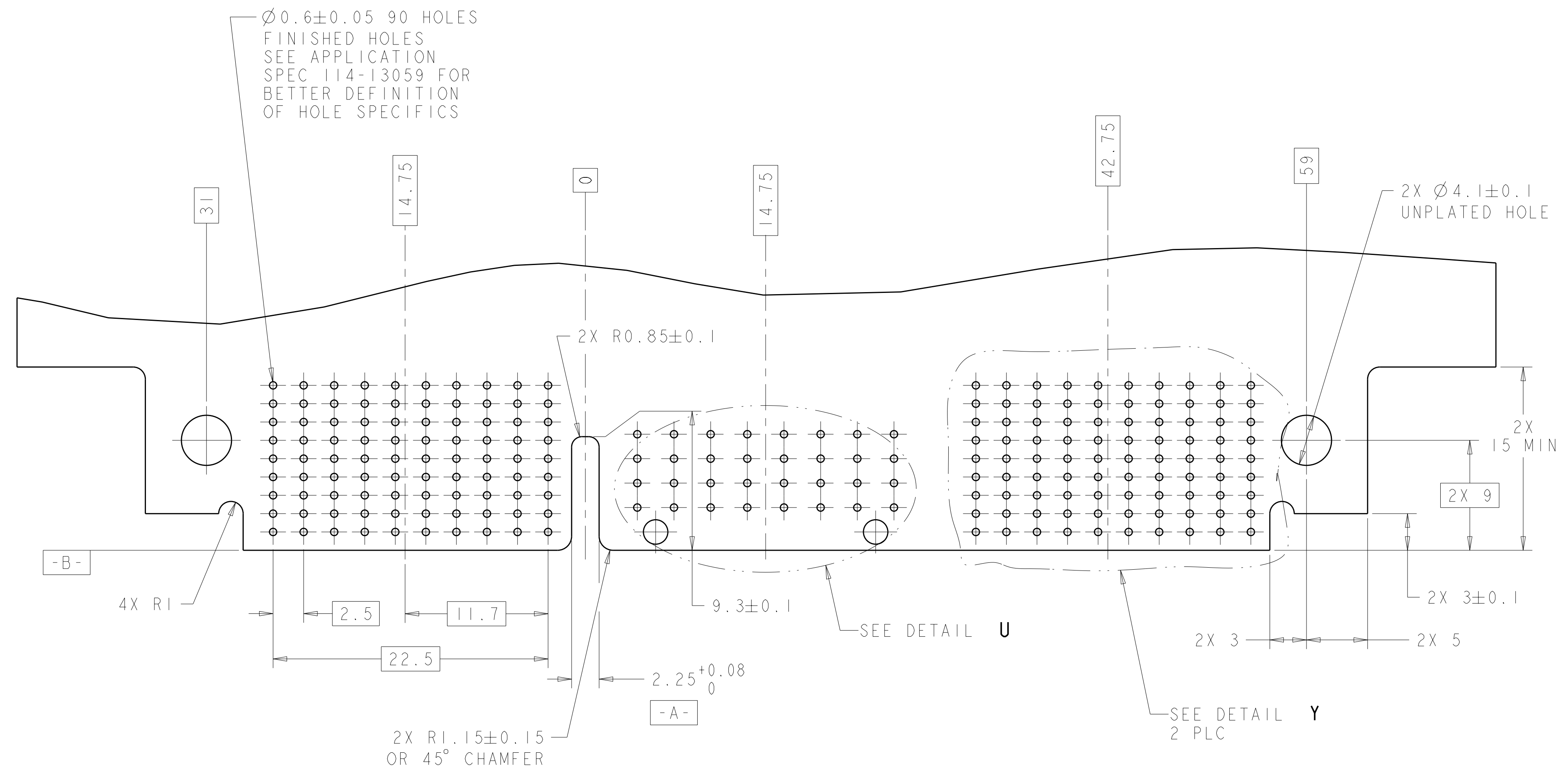
- MATING CONNECTOR FOR THIS CONNECTOR IS 2000980.
- MATERIAL - SHELL: ALUMINUM
 HOUSING: GLASS FILLED POLYESTER, UL94V0
 RETAINING RING: STAINLESS STEEL
 KEYING GUIDE SOCKET: STAINLESS STEEL
- PLATING - CONTACT MATING AREA:
 1.27µm MIN GOLD OVER 1.27µm MIN NICKEL
 CONTACT PCB AREA: 0.5µm MIN BRIGHT
 TIN-LEAD OVER 1.27µm MIN NICKEL
 SHELL: ELECTROLESS NICKEL
- KEYING GUIDE SOCKET AND RETAINING RING
 PACKAGED FOR ASSEMBLY BY CUSTOMER.



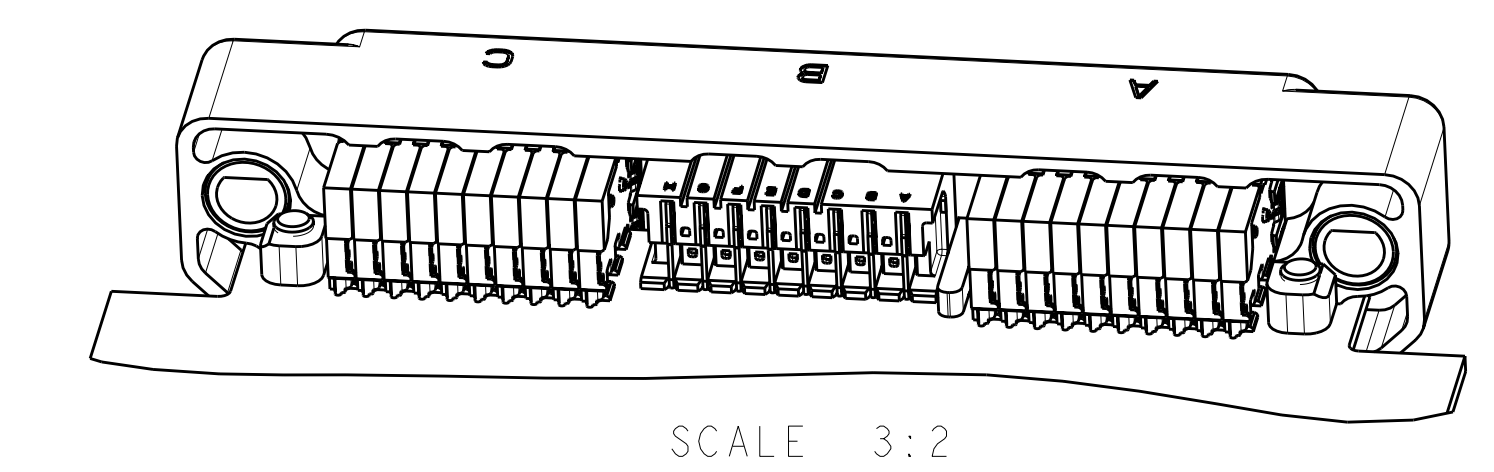
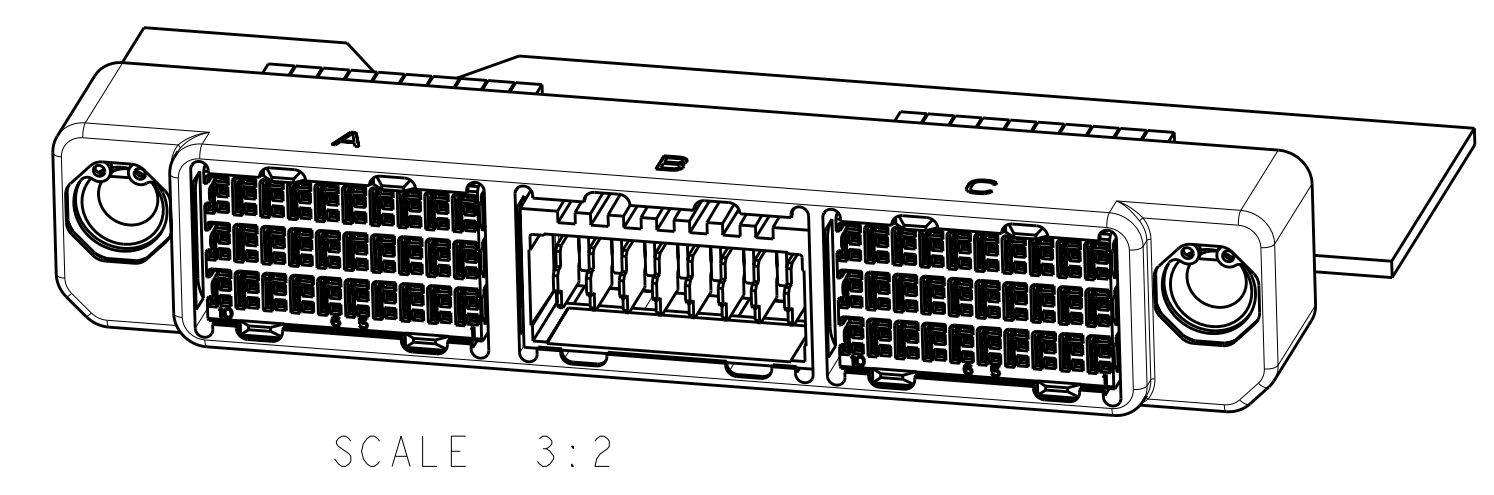
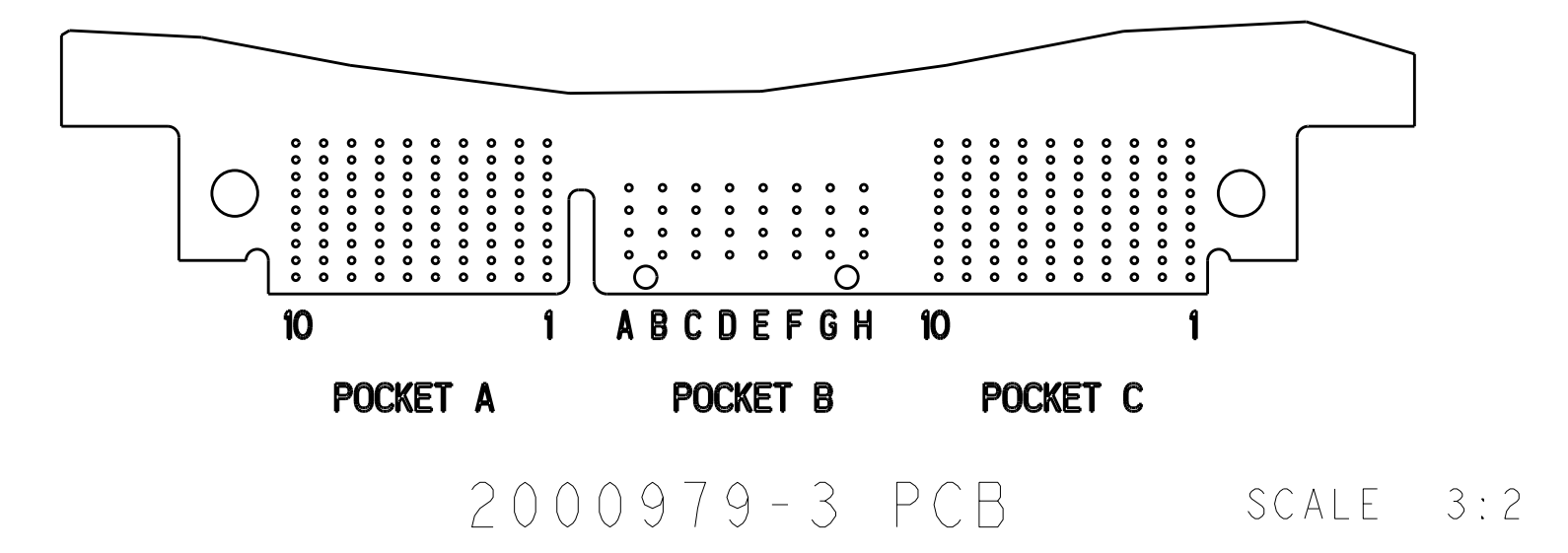
NOT RELEASED	1	-	2	2000979-3
	-	-	3	2000979-1
	8 POSN UPM	7 POSN RF COAX	3 PAIR HMZd	PART NUMBER
	MODULE QTY. PER ASSY			-

THIS DRAWING IS A CONTROLLED DOCUMENT.		DWN: 13JAN2010 Brent D. Toth		APVD: 13JAN2010		STE TE Connectivity	
DIMENSIONS: mm		CHK: 13JAN2010 CHONG YI		APVD: 13JAN2010 M. R. McALONIS			
TOLERANCES UNLESS OTHERWISE SPECIFIED:		9 PLC ±		NAME: DAUGHTER CARD CONNECTOR		RESTRICTED TO	
1 PLC ±		3 PLC ±		PRODUCT SPEC: 108-2381			
2 PLC ±		4 PLC ±		APPLICATION SPEC:		SIZE: CAGE CODE: DRAWING NO: A100779C=2000979	
3 PLC ±		5 PLC ±		WEIGHT: -		SCALE: 4:1 SHEET 1 OF 3 REV E	
4 PLC ±		ANGLES ±		CUSTOMER DRAWING			

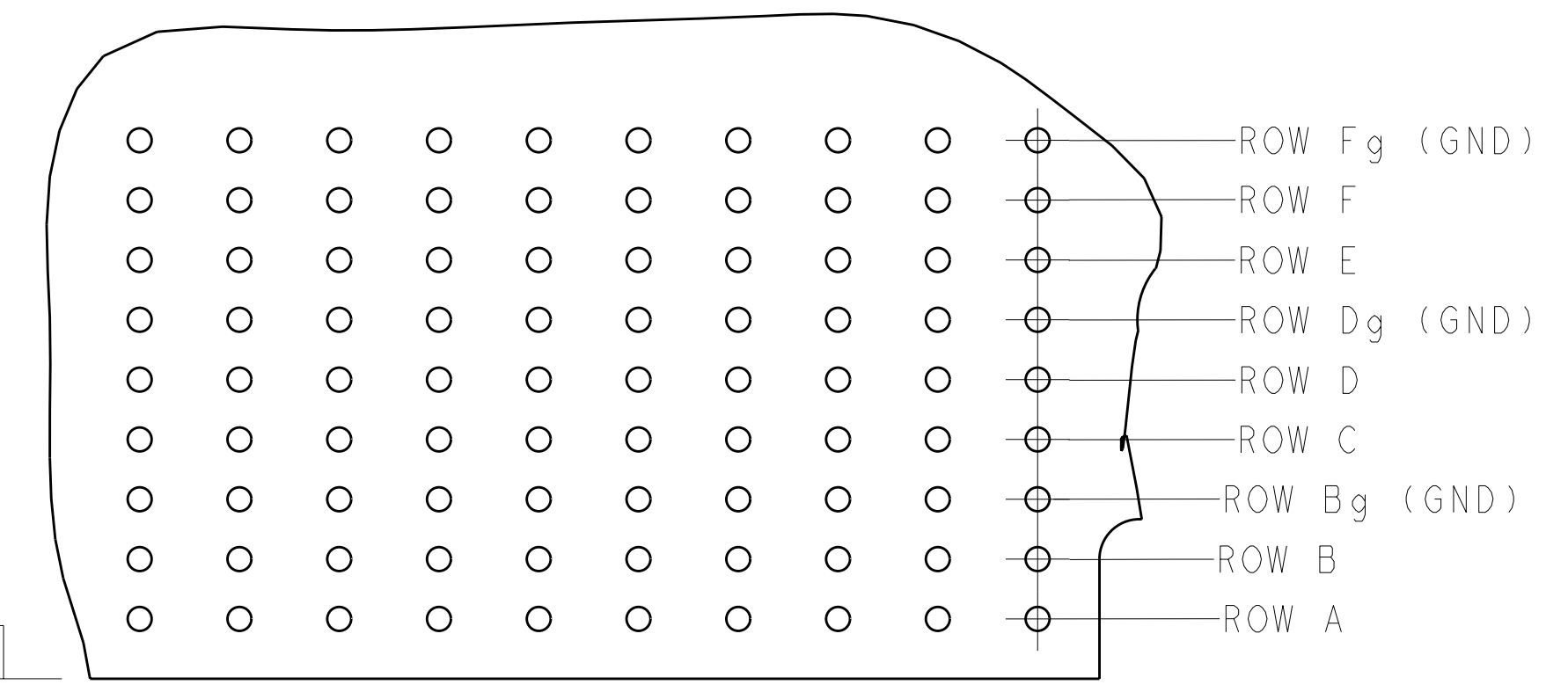
LOC	DIST	REV	DATE	BY	APPD
-	-	1	-	-	-
DESCRIPTION			DATE	BY	APPD
SEE SHEET 1			-	-	-



RECOMMENDED PRINTED CIRCUIT BOARD HOLE LAYOUT
AS VIEWED FROM TOP (CONNECTOR SIDE) OF PCB
2000979-3
SCALE 4:1



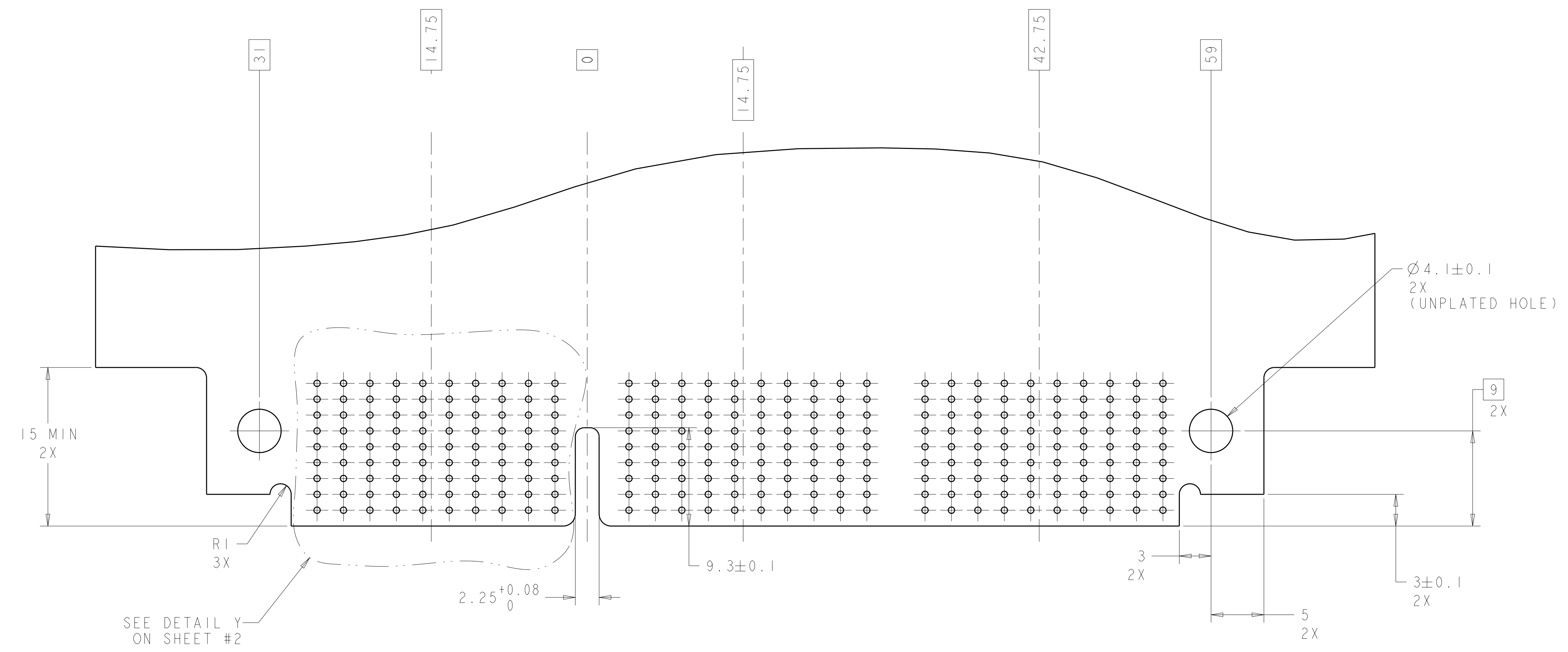
2000979-3 MODULE CONFIGURATION



DETAIL Y
 SCALE 6:1

THIS DRAWING IS A CONTROLLED DOCUMENT.		DWN: Brent D. Toth CHK: CHONG YI APVD: M. R. McALONIS DATE: 13JAN2010	REVISIONS DATE DWN APPD
DIMENSIONS: mm TOLERANCES UNLESS OTHERWISE SPECIFIED: 9 PLC ± 3 PLC ± 5 PLC ± 4 PLC ± ANGLES ± FINISH ±		NAME: DAUGHTER CARD CONNECTOR HIGH SPEED RUGGEDIZED (HSR) 3 BAY, UNSEALED, RIGHT ANGLE PRODUCT SPEC: 108-2381 APPLICATION SPEC: SIZE: CAGE CODE DRAWING NO: A100779C=2000979 WEIGHT: CUSTOMER DRAWING	RESTRICTED TO: SCALE: 4:1 SHEET 2 OF 3 REV E

LOC		DIST		REVISIONS			
P	LTB	DESCRIPTION	DATE	DWN	APVD		
-	-	SEE SHEET 1	-	-	-		



RECOMMENED PC BOARD LAYOUT (DAUGHTER CARD)
 FOR 2000979-1 (SCALE 4:1)
 AS VIEWED FROM TOP
 (CONNECTOR SIDE) OF PCB
 (3 HM-Zd)

THIS DRAWING IS A CONTROLLED DOCUMENT.		DWN: Brent D. Toth CHK: CHONG YI	13JAN2010 13JAN2010	TE Connectivity	
DIMENSIONS: mm		TOLERANCES UNLESS OTHERWISE SPECIFIED: 9 PLC ± 8 PLC ± 5 PLC ± 4 PLC ± ANGLES ± FINISH ±		NAME: DAUGHTER CARD CONNECTOR HIGH SPEED RUGGEDIZED (HSR) 3 BAY, UNSEALED, RIGHT ANGLE	
MATERIAL: -		APVD: M. R. McALONIS 13JAN2010 PRODUCT SPEC: 108-2381 APPLICATION SPEC: -		SIZE: A100779 CAGE CODE: C=2000979 DRAWING NO: -	
CUSTOMER DRAWING		SCALE: 1:1		SHEET 3 OF 3 REV E	