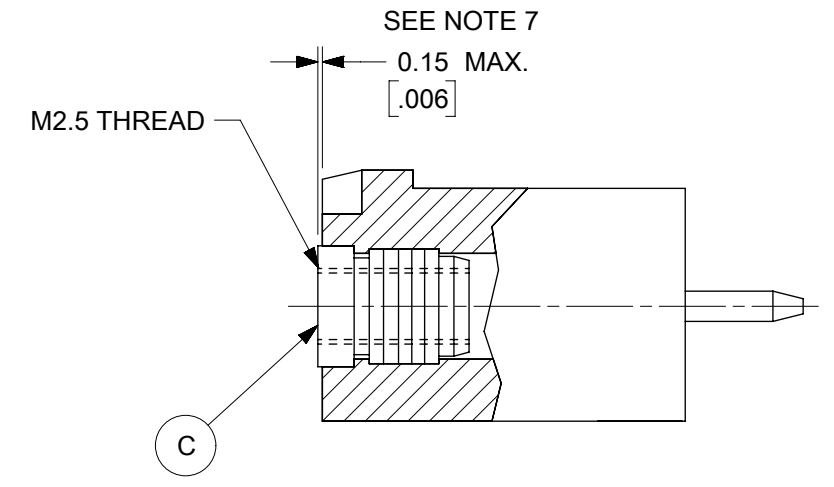
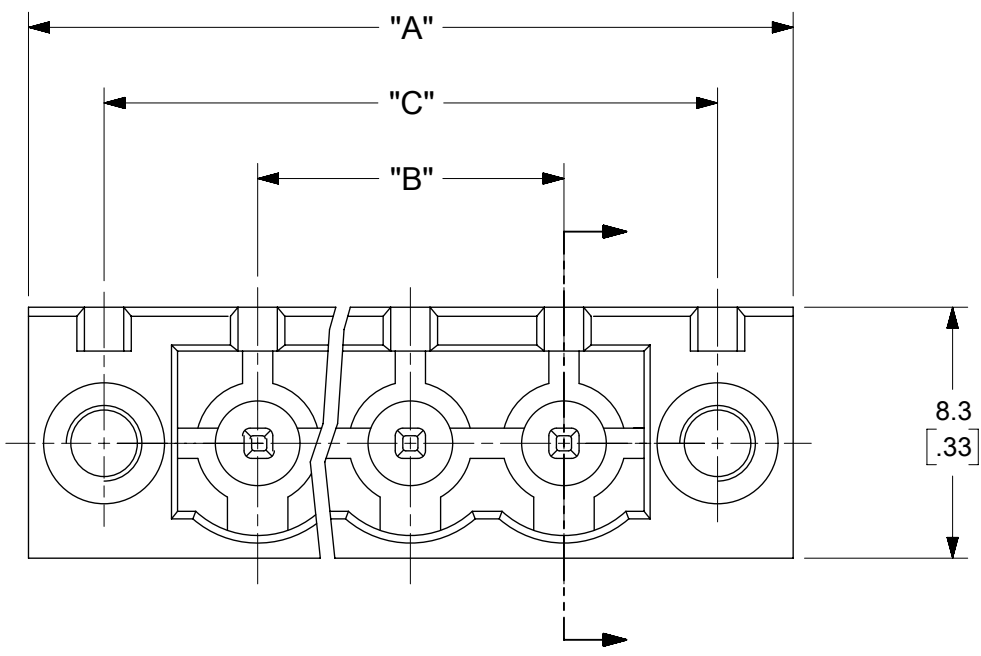
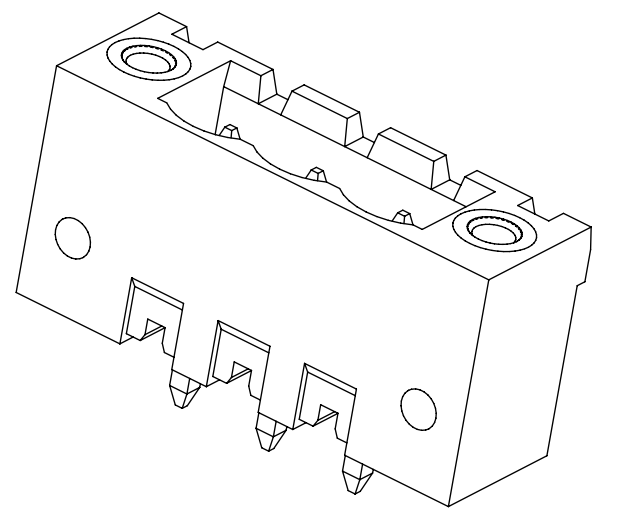
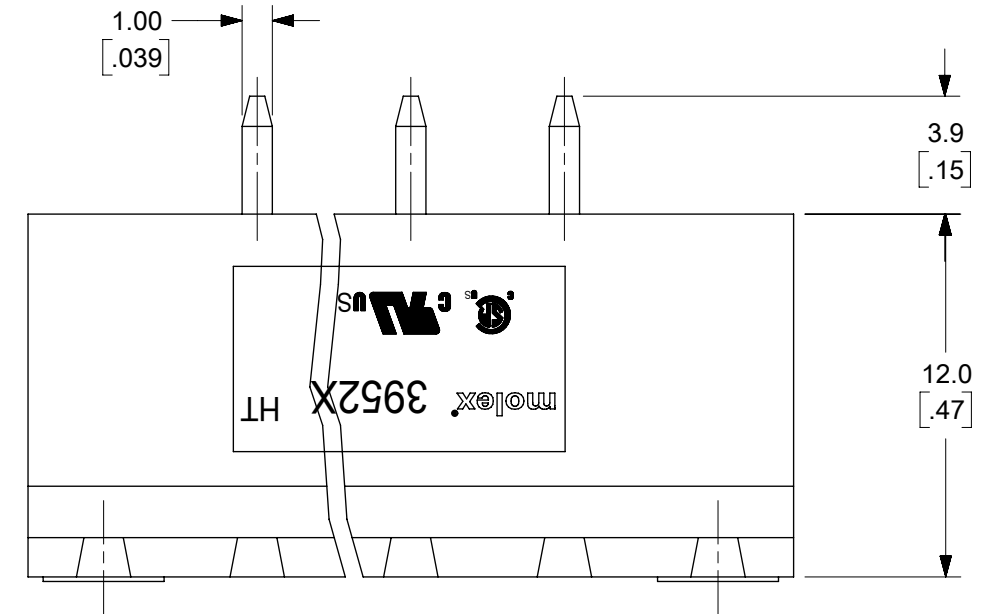


PTH LAYOUT



- SPECIFICATIONS:**
- MATERIAL:
 - (A). BODY: PA/46, UL94V-0
 - (B). PIN: BRASS
 - (C). THREADED INSERT: BRASS
 - ELECTRICAL RATING: 300V, 15A
 - WIRE STRIP LENGTH: N/A
 - OPERATING TEMPERATURE: -40°C to +105°C
 - MAX. INSERT RETENTION FORCE: 11.02 LBF (49.03N)
 - INSULATION RESISTANCE: DC 500V, 500M
 - DIELECTRIC WITHSTAND: AC 2500V FOR 1 MINUTE
 - BREAKDOWN VOLTAGE : 4000V.
 - MAX. SOLDERING TEMP: 260°C (500°F) FOR 5 SECONDS
 - A = (B + 15.0mm)
 - B = (N - 1) x P
 - C = (B + 10mm)
 - P (PITCH) = 5.0MM (.197")
 - N = NUMBER OF POSITIONS AVAILABLE 2 THROUGH 24
 - DIMS SHOWN ARE FOR REFERENCE ONLY

TOLERANCES			
MM	TOL	INCH	TOL
0-6	±0.25	0-.24	±.010
>6-30	±0.40	.24-1.18	±.016
>30-120	±0.50	1.18-4.76	±.020
>120	±0.80	>4.76	±.031

THIS DRAWING CONTAINS INFORMATION THAT IS PROPRIETARY TO MOLEX ELECTRONIC TECHNOLOGIES, LLC AND SHOULD NOT BE USED WITHOUT WRITTEN PERMISSION											
SYMBOLS		DIMENSION UNITS		SCALE		CURRENT REV DESC: ADDED TOL TABLE					
▽ = 0	▽ = 0	MM/INCH	4:1								
		GENERAL TOLERANCES (UNLESS SPECIFIED)									
▽ = 0	▽ = 0		MM	INCH							
▽ = 0	▽ = 0	4 PLACES	±	±							
▽ = 0	▽ = 0	3 PLACES	±	±	SEE CHART						
▽ = 0	▽ = 0	2 PLACES	±	±	SEE CHART						
▽ = 0	▽ = 0	1 PLACE	±	±	SEE CHART						
▽ = 0	▽ = 0	0 PLACES	±	±	SEE CHART						
▽ = 0	▽ = 0	ANGULAR TOL		±							
▽ = 0	▽ = 0	DRAFT WHERE APPLICABLE		THIRD ANGLE PROJECTION		DRAWING		SERIES		MATERIAL NUMBER	
		MUST REMAIN WITHIN DIMENSIONS				B-SIZE		39525		SEE SHEET-2	
										CUSTOMER	
										GENERAL MARKET	
										SHEET NUMBER	
										1 OF 2	

molex

5.0MM, EURO HEADER,
VERTICAL, HI-TEMP MOUNTING

PRODUCT CUSTOMER DRAWING

DOCUMENT NUMBER	DOC TYPE	DOC PART	REVISION
SD-39525-001	PSD	001	B2

F

F

DESCRIPTION	CIRCUIT SIZE	MATERIAL NUMBERS						DIMENSIONAL INFORMATION					
		BLACK											
		100% TIN			30 u" GOLD								
		PRINTING OPTIONS			PRINTING OPTIONS			DIM. "A"		DIM. "B"		DIM. "C"	
		None	10AV	11AV	None	10AV	11AV	mm	inch	mm	inch	mm	inch
5.0MM, EURO HEADER, VERTICAL, MOUNTING ENDS, HIGH TEMP	2	395254002	395254302	395254402	395254502	395254802	395254902	20.00	.787	5.00	.197	15.00	.591
5.0MM, EURO HEADER, VERTICAL, MOUNTING ENDS, HIGH TEMP	3	395254003	395254303	395254403	395254503	395254803	395254903	25.00	.984	10.00	.394	20.00	.787
5.0MM, EURO HEADER, VERTICAL, MOUNTING ENDS, HIGH TEMP	4	395254004	395254304	395254404	395254504	395254804	395254904	30.00	1.181	15.00	.591	25.00	.984

E

E

D

D

C

C


B

B

TOLERANCES			
MM	TOL	INCH	TOL
0-6	±0.25	0-.24	±.010
>6-30	±0.40	.24-1.18	±.016
>30-120	±0.50	1.18-4.76	±.020
>120	±0.80	>4.76	±.031

A

A

SYMBOLS ▽ = 0 ▽ = 0 ▽ = 0 ▽ = 0 ▽ = 0 ▽ = 0 ▽ = 0 ▽ = 0 ▽ = 0 ▽ = 0	THIS DRAWING CONTAINS INFORMATION THAT IS PROPRIETARY TO MOLEX ELECTRONIC TECHNOLOGIES, LLC AND SHOULD NOT BE USED WITHOUT WRITTEN PERMISSION		CURRENT REV DESC: ADDED TOL TABLE		 5.0MM, EURO HEADER, VERTICAL, HI-TEMP MOUNTING PRODUCT CUSTOMER DRAWING
	DIMENSION UNITS MM/INCH	SCALE 4:1	EC NO: 620295		
	GENERAL TOLERANCES (UNLESS SPECIFIED)		DRWN: ABENJAMINLW 2019/07/04	CHK'D: DACHAMMER 2019/07/09	
	4 PLACES ±	MM INCH	APPR: JFMURPHY 2019/08/02	INITIAL REVISION:	
	3 PLACES ±	SEE CHART ±	DRWN: LROTHAUS 2006/01/09	APPR: JPAWLICK 2006/01/10	
	2 PLACES ±	SEE CHART ±	DOCUMENT NUMBER SD-39525-001	DOC TYPE PSD	
	1 PLACE ±	SEE CHART ±	DOC PART 001	REVISION B2	
	0 PLACES ±	SEE CHART ±	MATERIAL NUMBER SEE TABLE	CUSTOMER GENERAL MARKET	
	ANGULAR TOL ±	DRAFT WHERE APPLICABLE MUST REMAIN WITHIN DIMENSIONS	THIRD ANGLE PROJECTION	DRAWING B-SIZE	
	DRAFT WHERE APPLICABLE MUST REMAIN WITHIN DIMENSIONS	SHEET NUMBER 2 OF 2	SERIES 39525	SHEET NUMBER 2 OF 2	

DOCUMENT STATUS	P1	RELEASE DATE	2019/08/02	19:26:28
-----------------	----	--------------	------------	----------